



[ MÉXICO ]  
**ANTES DE DEVOLVER EL  
 PRODUCTO A LA TIENDA:**

**Comuníquese Con Servicio Al  
 Cliente De Huffy. Nos Complace  
 Ayudarlo Con Cualquier Parte  
 O Problema De Ensamblado  
 Que Pudiera Tener.**

Para obtener Servicio al cliente  
 rápido, visite:

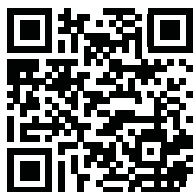
**<http://www.huffybikes.com/>  
 O LLAME AL TEL: 01800 1483 391  
 (Mexico only)**

Para comunicarse por correo electrónico:  
**[servicio@huffymex.com](mailto:servicio@huffymex.com)**

**<http://www.huffybikes.com/home/globalcontact>**

for current contact information  
 para obtener la información de contacto actual  
 pour les informations de contact actuelles

**For Assembly Help:  
 Ayuda de la Asamblea:  
 Aide à l'assemblage :**



**[ In the US and Canada ]  
 PLEASE - BEFORE RETURNING TO STORE:**

**Contact Huffy Customer Service. We  
 are glad to assist you with any parts or  
 assembly problems you might have!**

**~  
 VEUILLEZ NOTER : AVANT DE  
 RETOURNER AU MAGASIN :**

**Communiquez Avec Le Service À La  
 Clientèle De Huffy. Nous Vous Aiderons  
 Volontiers Avec Tout Problème Concernant  
 Les Pièces Ou Le Montage!**

For Fast Customer Service, go to:  
 Pour un Service à la clientèle rapide, allez sur le site :  
**<http://www.huffybikes.com/contact>**

To Order Parts (US), go to:  
 Pour obtenir des pièces (CANADA), allez à:  
**<http://www.huffybikes.com/parts>**  
**OR TEL: 1 800 872 2453 (US only)  
 OU appelez le 1 800 872 2453 (CANADA seulement)**

For email, go to **<http://www.huffybikes.com/contact>**  
 Pour communiquer par courriel **[huffycanada@huffy.com](mailto:huffycanada@huffy.com)**

H-Tri\_STOP-Global\_010318\_i0388



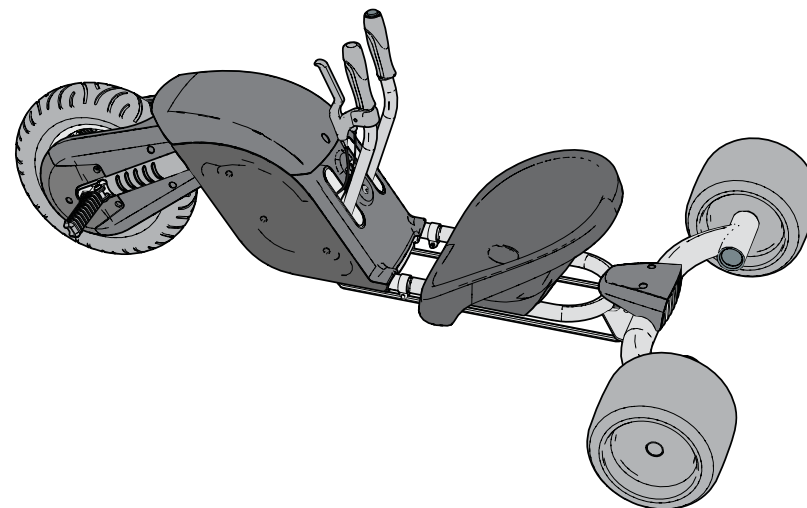
**HUFFY**

© Copyright Huffy Corporation 2018

Date Code Label  
 Here

**HUFFY  
 GREEN  
 MACHINE**

## Battery Ride on Owner's Manual



**This manual contains important safety, assembly, operation  
 and maintenance information.  
 Please read and fully understand this manual before  
 operation.**

Save this manual for future reference.

Always wear approved helmet and safety equipment when  
 using this product.




**See back page for Customer Service Information  
 Consultez el reverso para Servicio de Información al Cliente  
 Voir pages verso pour des renseignements le service à la Clientèle**



# Owner's Manual Index

<b>Safety and Warnings</b> .....	2-5
<b>Assembly</b> .....	6-15
<b>Operation and Battery Charging</b> .....	16-18
<b>Maintenance Repair and Service</b> .....	19-27
<b>Troubleshooting</b> .....	28-29
<b>Warranty</b> .....	30
• <b>Radio Frequency Warnings</b> .....	<b>31</b>
<b>Contact Information - Back Cover</b>	

## Radio Frequency Information (charger/adapter/controller)

 **WARNING:** Changes or modifications to this unit not expressly approved by the party responsible for compliance could void the user's authority to operate the equipment.

This device complies with Part 15 of the FCC Rules. Operation is subject to the following two conditions:

(1) this device may not cause harmful interference, and (2) this device must accept any interference received, including interference that may cause undesired operation.

**NOTE:** This equipment has been tested and found to comply with the limits for a Class B digital device, pursuant to Part 15 of the FCC Rules. These limits are designed to provide reasonable protection against harmful interference in a residential installation. This equipment generates, uses and can radiate

radio frequency energy and, if not installed and used in accordance with the instructions, may cause harmful interference to radio communications.

However, there is no guarantee that interference will not occur in a particular installation. If this equipment does cause harmful interference to radio or television reception, which can be determined by turning the equipment off and on, the user is encouraged to try to correct the interference by one or more of the following measures:

- Reorient or relocate the receiving antenna.
- Increase the separation between the equipment and receiver.
- Connect the equipment into an outlet on a circuit different from that to which the receiver is connected.
- Consult the dealer or an experienced radio/TV technician for help.

This product meets ASTM F963 and CPSIA requirements for electric vehicles.

 **WARNING:** CHOKING HAZARD:

- Small parts, adult assembly required.
- To reduce the risk of injury, adult supervision is required.
- Never use in roadways, near motor vehicles, on or near steep inclines or steps, swimming pools or other bodies of water; always wear shoes, and never allow more than one rider.
- The user must be **8+ years**, and weigh no more than **200 lbs (91 kgs)**.



**IMPORTANT!** Before using the unit for the first time the battery needs to be charged for at least **8 to 12** hours - no more than **20** hours. Only an adult who has read and understands the safety warnings should handle, charge or recharge of the battery (see **Operation** section).

## Limited Warranty

### General:

Part or model specifications are subject to change without notice.

This Limited Warranty is the only warranty for the product. ALL WARRANTIES OTHER THAN STATED HEREIN ARE DISCLAIMED INCLUDING IMPLIED WARRANTIES OF MERCHANTABILITY AND FITNESS FOR A PARTICULAR PURPOSE, TO THE EXTENT ALLOWABLE BY APPLICABLE LAW. ALL LIABILITY FOR INCIDENTAL, PUNITIVE, SPECIAL, OR CONSEQUENTIAL DAMAGES ARE EXPRESSLY DISCLAIMED, TO THE EXTENT ALLOWABLE BY APPLICABLE LAW.

The only uses for this product are described in this manual.

Warranty registration is not required.

The Limited Warranty extends only to the original consumer and is not transferable to anyone else.

### What does this Limited Warranty cover?

This Limited Warranty covers defects in workmanship and materials for all parts of the product except those indicated below as not warranted.

### What must you do to keep the Limited Warranty in effect?

*This Limited Warranty is effective only if:*

- Product is completely and correctly assembled.
- Product is used under normal conditions for its intended purpose (see the following section for excluded activities).
- Product receives all necessary maintenance and adjustments.
- Product is used for general transportation and recreational use only.

### What is not covered by this Limited Warranty?

This product is designed for recreational use only. This Limited Warranty does not cover normal wear and tear, normal maintenance items, or any damage, failure, or loss that is caused by improper assembly, maintenance, adjustment, storage, or use of the product. This Limited Warranty does not extend to future performance.

### This Limited Warranty will be void if the product is ever:

- Used in any competitive sport
- Used for stunt riding, jumping, aerobatics or similar activity
- Modified in any way

- Modified with the addition of a motor
- Ridden by more than one person at a time
- Rented, sold, or given away
- Used in a manner contrary to the instructions and warnings in this Owner's Manual

### What will The Manufacturer do?

Manufacturer's sole and exclusive obligation under this Limited Warranty is to repair and/or replace, at its sole option, any covered defect in workmanship or materials.

### How do you get service?

Contact the Customer Service Department.

- See included list for Customer Contact information.

### What rights do you have?

This Limited Warranty gives you specific legal rights. You may also have other rights which vary from State to State.

### For how long does this Limited Warranty last?

- When used in this Limited Warranty, the phrase "for life" means for as long as the original consumer owns the product.
- Drive Battery - 90 days
- Electronics - 90 days
- All other Components - 6 months
- All parts are subject to the Conditions of Warranty below.

## WARNINGS

Here are basic, common sense safe riding practices you should read aloud to your child and anyone who may use the vehicle.

**It is the responsibility of the adult to educate the child, determine if they are fit to operate the vehicle, and supervise use.**

- An adult must always supervise a child that is using the vehicle.
- Before using the vehicle the user must understand the controls and safety issues. They must also demonstrate the capability to handle the vehicle and operate its controls.
- Seat Models: Always sit in the seat when using the vehicle. Do not stand on side boards.
- This product contains small parts that are for adult assembly only. Keep small children away when assembling. Remove and dispose of all protective material and poly bags before assembly. Be sure to remove all packaging materials and parts from underneath the vehicle body.
- Always use the vehicle in a safe, secure environment with continuous adult supervision.
- Body parts such as hands, legs, hair and clothing can get caught in moving parts. Never place a body part near a moving part or wear loose clothing while using the vehicle. Always wear shoes when using vehicle.
- Use on flat, smooth paved surfaces only.
- Using the vehicle on or near streets, motor vehicle, drop-offs such as: steps, water (swimming pools), sloped surfaces, hills, wet areas, flammable vapors, in alleys, at night or in the dark could result in an accident.
- Do not use the vehicle in unsafe conditions such as snow, rain, loose dirt, mud sand or fine gravel. This may result in unexpected action such as tip over and skidding.
- Models with no brakes: Motor friction will gradually stop the unit.
- Do not use the vehicle in an unsafe manner. Examples include but are not limited to:
  - Pulling the vehicle with another vehicle or similar device.
  - Allowing more than one rider.
  - Pushing the vehicle.
  - Traveling at an unsafe speed.
- There are additional hazards of using the vehicle in areas other than private grounds.
- Not to be used in traffic.
- The vehicle shall be used with caution since skill is required to avoid falls or collisions.
- Do not overload the vehicle.
- Do not tow anything behind the vehicle.
- Do not drive up steep slopes.
- Do not drive into fixed objects, which may cause the wheels to spin, causing the motor to overheat.
- Do not drive in very hot weather, components may overheat.
- Do not allow water or other liquids to come in contact with the battery or other electric components.
- Do not tamper with the electrical system. Doing so may create a short, causing the fuse to trip or other damage including fire.
- Do not stand on or in vehicle while moving.
- Child should always wear an approved helmet when using this product.
- If equipped, child should always use properly and securely attached Seat Belt.
- Only use authorised replacement parts.
- Operators shall adhere to all recommendations and instructions as well as comply with all laws and ordinances.

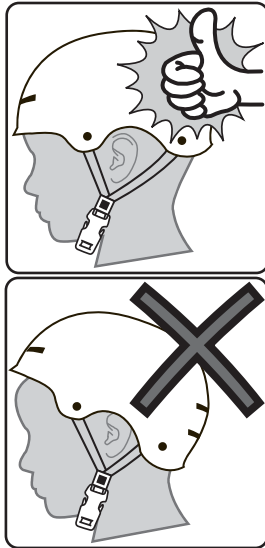
**Additional Warnings:**

- The toy is to be assembled by an adult
- Non-rechargeable batteries are not to be recharged
- Batteries are to be inserted with the correct polarity
- The supply terminals are not to be short-circuited
- Batteries are only to be charged by adults or by children at least 8 years old
- The battery chargers used with the toy are to be regularly examined for damage to the cord, plug, enclosure and other parts, and in the event of such damage, they must not be used until the damage has been repaired.
- Do not mix new batteries with old batteries.

**Helmet Warning Information**

**! WARNING:**  
**ALWAYS WEAR YOUR HELMET**  
**WHEN RIDING THIS PRODUCT!**

- Helmet should sit level on your head and low on your forehead. Exposed forehead can result in serious injury.
- Adjust the strap sliders below the ear on both sides.
- Buckle the chin strap. Adjust strap until it is snug.
- No more than two fingers should fit between the strap and your chin.
- A proper fitting helmet should be comfortable and not rock forward/backward or side to side.



**Troubleshooting Guide - continued**

Problem	Possible Cause	Solution
Battery will not recharge	Battery connector or adapter connector is loose	Check that the battery connectors are firmly plugged into each other.
	Charger not plugged in	
	Charger is not working	Check that the battery charger is plugged into a working wall outlet.
	Battery is dead	Replace battery.
Charger feels warm when recharging	This is normal and not a cause for concern	If excessively hot, unplug and replace.

**BEFORE YOU CALL SUPPORT:**

1. What is the model and date code?
2. When was the product purchased?
3. Has the product ever worked for a time or has never worked at all since purchase?
  - Yes, When did the product last operate correctly?
  - No, were the battery wires connected?
4. How long was the battery charged?
5. Is the charger plugged into the unit when you try to operate the product?
  - (The unit will not operate with charger plugged in)
6. Do any lights or sounds come on when you power the product on?
  - Yes, Does the lights and sounds go away when you press the drive switch?
7. When you press the drive switch, does an electric motor start?
  - Yes, Did you check that the correct drive wheel was installed?
  - Yes, Does the insert in the gearbox rotate?

### Troubleshooting Guide

The following are examples of potential problems. Completely read through this manual and the troubleshooting guide table before calling. If you still need help resolving the problem please contact Customer Service.

**NOTE:** Vehicle should be turned off and fully charged before doing troubleshooting.

Problem	Possible Cause	Solution
Vehicle does not run when switch is activated	Battery wires not connected or are loose	Connect battery wires according to assembly instructions, Check that the battery connectors are firmly plugged into each other. If wires are loose around the motor call Customer Service.
	Battery low on power	Recharge battery (see Battery: Recharge interval and time)
	Battery Charger still plugged in	Unplug Battery Charger from unit and wall in
	Thermal fuse has tripped	Let Fuse reset
	Battery is dead	Replace battery (see Battery: Replacement and Disposal)
	Electrical system or motor is damaged	Call Customer Service.
	"Dead Spot" on motor	A dead spot means the electric power is not being delivered to the terminal connection and the vehicle needs repair. Call Customer Service.
Vehicle does not run very long or runs sluggishly	Battery is undercharged.	Check that the battery connectors are firmly plugged into each other when recharging (see Battery: Recharge interval and Time)
	Battery is old and cannot be fully charged	Replace battery (see Battery: Replacement and Disposal)
	Battery low on power	Recharge battery (see Battery: Replacement and Disposal)
	Battery is old and cannot be fully charged	Replace battery (see Battery: Replacement and Disposal)
	Vehicle is overloaded	Reduce weight on vehicle (see user requirements and Safety Warnings)
	Vehicle is being used in harsh conditions	Avoid using vehicle in harsh conditions (see User Requirements and Safety Warnings)
Vehicle makes loud noise when in use	Chain is dry (on chain drive models)	Lubricate chain with light oil.
Loud grinding or clicking noises coming from motor or gear box	Motor or gears are damaged	Call Customer Service.
	Drive Wheel is partially engaged	Check drive wheel - to motor engagement.

### ! BATTERY & CHARGER WARNINGS:

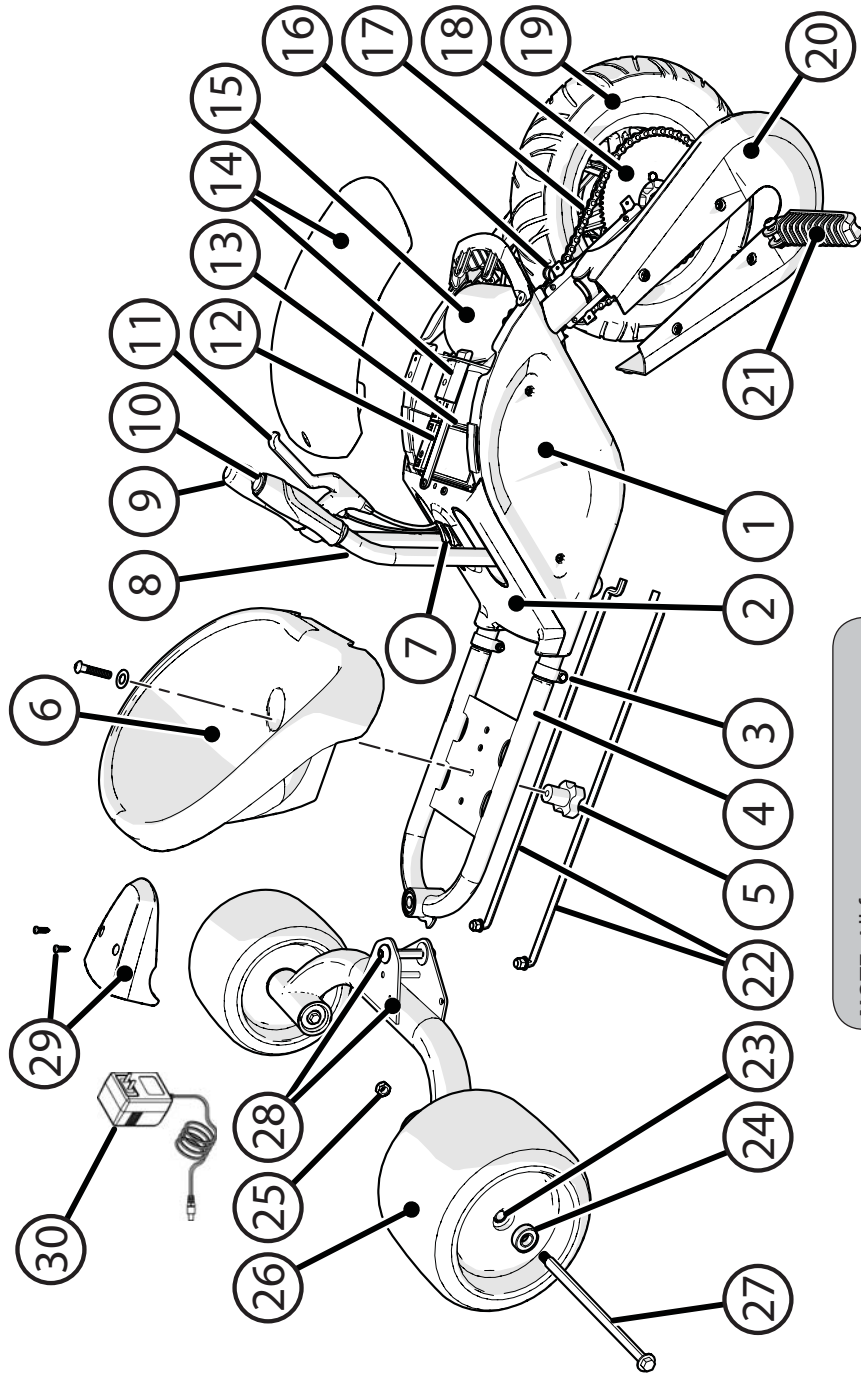


The following safety hazards may result in serious injury or death to the user of the vehicle:

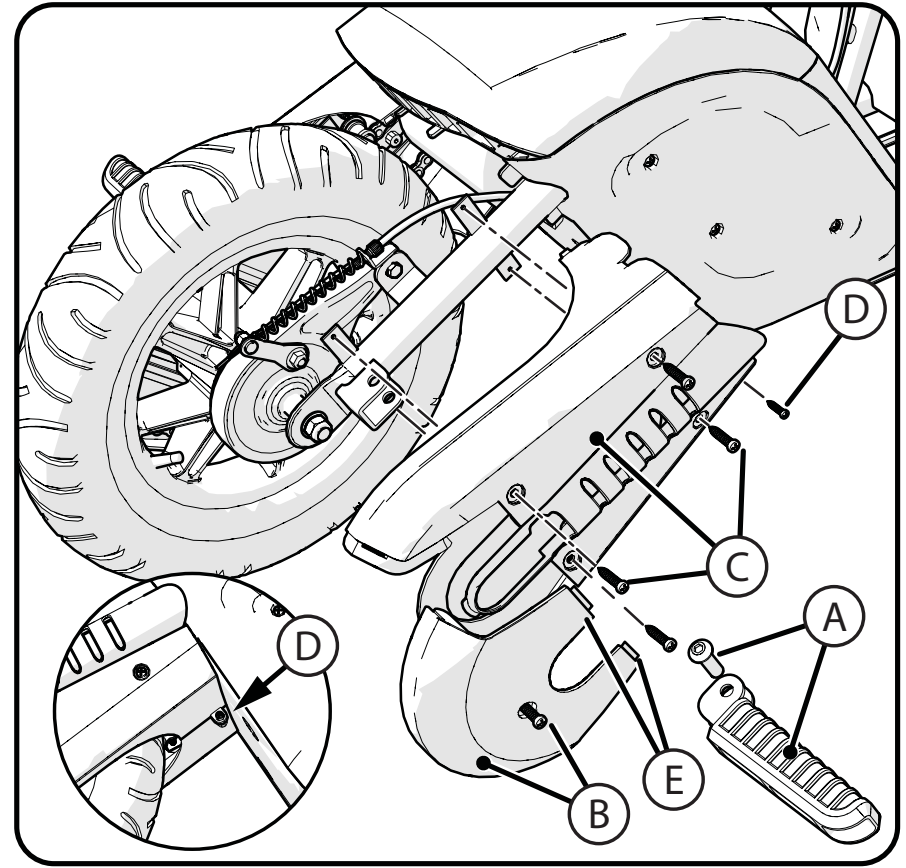
- Battery Charger for Indoor use only.
- Use of a battery or charger other than the supplied rechargeable battery and charger may cause a fire or explosion. Only use the supplied rechargeable battery (or lead-acid or lithium suitable replacement) and charger with the vehicle.
- Using the rechargeable battery and charger for any other product may result in overheating, fire or explosion. Never use the rechargeable battery and charger with another product.
- Explosive gases are created during charging. Charge the battery in a well ventilated area. Do not charge the battery near heat or flammable materials.
- Contact between the positive and negative terminals may result in fire or explosion. Avoid direct contact between the terminals. Picking up the battery by the wires or charger can cause damage to the battery and may result in a fire. Always pick up the battery by its case or handles.
- Battery must be handled by adults only. Liquids on the battery may cause fire or electric shock. Always keep all liquids away from the battery and keep the battery dry.
  - Contact or exposure to battery leakage (lead acid) may cause serious injury. If contact or exposure occurs immediately call your physician. If the chemical is on the skin or in the eyes, flush with cool water for 15 minutes. If the chemical was swallowed, immediately give the person water or milk. Do not give water or milk if the patient is vomiting or has a decreased level of alertness. Do not induce vomiting.
- Battery Posts, terminals and related accessories contain lead and lead compounds (acid), chemicals known to cause cancer, reproductive harm and are toxic and corrosive. Never open the battery.
- Tampering or modifying the electric circuit system may cause a shock, fire or explosion and permanently damage the system. Exposed wiring and circuitry in the charger may cause electric shock. Always keep the charger housing closed.

**NOTE:** It is not necessary to remove the battery from the vehicle for charging.

**IMPORTANT!** Before using the unit for the first time the battery needs to be charged for **8 to 12 hours - never longer than 20 hours**, Only an adult who has read and understands the safety warnings should handle, charge or recharge of the battery.



**NOTE:** All features, components and accessories are not included on all models.



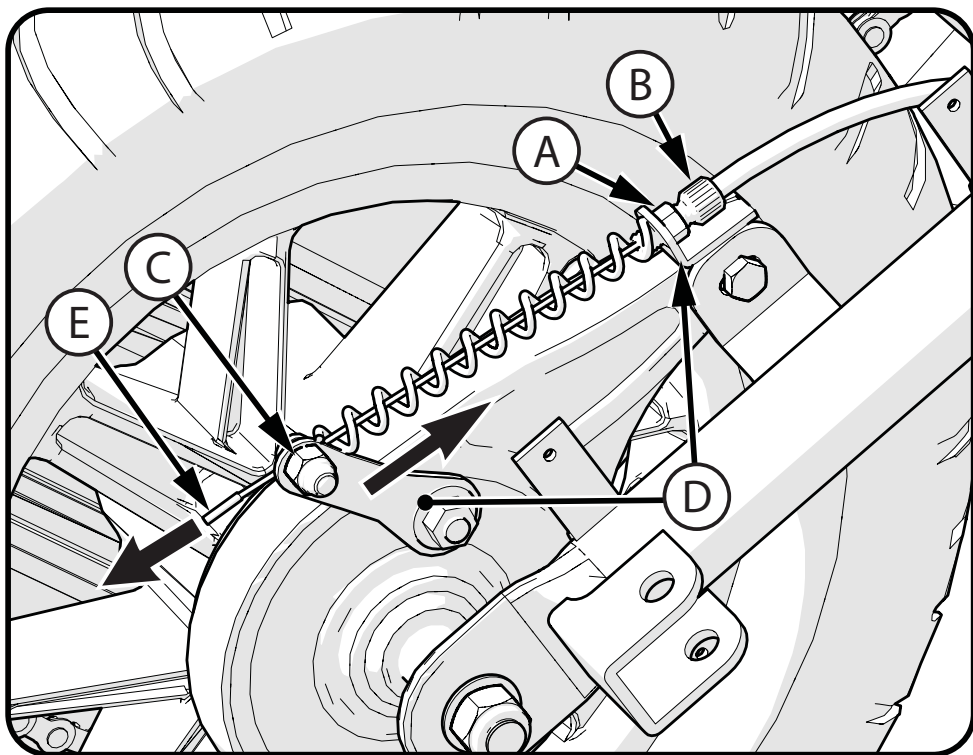
**STEPS:**

1. Using Phillips screwdriver, position Cowling Side (C) in place and install 4 side Screws and 1 bottom Screw (D) securely. Do Not overtighten.

**NOTE:** Screw (D) is underneath the cowling towards the top.

2. Using Phillips screwdriver, position Front Cowling (B) in place and install 1 Screw securely. - **NOTE:** Fit Cover Tabs (E) **UNDER** Left Wheel Cowling.
3. Do Not overtighten.
4. Using two 5mm Allen wrenches, install Left Foot Peg (A) securely as shown in Assembly section.

## Wheel Brake Adjustments



**NOTE:** If Brakes cannot be fully adjusted from Hand Brake Adjustment, the Wheel Brake must be adjusted. Adjust the Wheel Brake so that the Hand Brake does not touch the Hand Grip when squeezed hard enough to safely stop the vehicle.

**STEPS:**

1. Loosen Locknut (A).
2. Turn Adjust Screw (B) out until Hand Brake does not touch Hand Grip when squeezed hard enough to safely stop vehicle.
3. Tighten Locknut (A) - Do Not overtighten.

**NOTE:** If Adjust Screw cannot be adjusted for proper brake function proceed to next steps:

4. Loosen Cable Locknut (C).
5. Squeeze Wheel Brake Lever against Cable Bracket (D) while pulling on Brake Cable (E).
6. Tighten Cable Locknut (C) securely.
7. Test function of Handbrake again for proper operation. Repeat adjustment steps as necessary for proper and safe brake function.

## Parts List

#	Description	#	Description
1	Side Cowling (LH & RH) w/ Hardware	17	Drive Chain
2	Control Panel Cowling w/ Hardware	18	Drive Sprocket
3	Clamp Bolt and Hardware (x2 sets)	19	Wheel Assembly (Tire, Tube, Rim)
4	Main Frame	20	Left and Right Wheel Cowling <ul style="list-style-type: none"> <li>• Left Air Filler Valve Access Cowling</li> </ul>
5	Seat Knob w/ Hardware	21	Foot Pegs and Hardware (x2)
6	Seat	22	Steering Linkage (LH & RH) and Hardware
7	Power & Fast/Slow Switches (each)	23	Center Wheel Bushing - Internal (1 set each wheel)
8	* Steering Levers (x2)	24	Wheel Bearing (2 each wheel)
9	* Grips (LH and RH) (with lever)	25	Locknut (1 each wheel - comes with Axle Bolt)
10	* Throttle Button (with lever) RH	26	Rear Wheel (x2)
11	* Brake Lever & Cable (with lever) LH	27	Wheel Axle Bolt (1 each wheel) with Hardware
12	Battery (x2)	28	Rear Axle Frame
13	Battery Hold Down Strap	28a	Rear Axle Frame Pivot Bolt Hardware
14	Top Cowling Battery Cover with Hardware	29	Rear Axle Cowling and Hardware
15	Drive Motor	30	Charger
16	Chain Tensioner	31	Front Wheel Brake Linkage (not shown)
		32	Front Wheel Brake Assembly (not shown)

\* Left Steering Lever w/ Grip Brake Handle  
 \* Right Steering Lever w/ Grip and Throttle Button.

## Introduction to Assembly

This Owner's Manual may be made for several different style products.

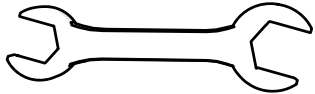
- Some illustrations may vary slightly from the actual product.
- Follow instructions completely.
- If the product has any parts that are not described in this manual, look for separate "Special Instructions" that are supplied with the unit.
- All features, components and accessories are not included on all models.
- Use the Index page to locate specific sections of this manual.
- Please read through this entire manual before beginning assembly or maintenance.
- If you are not confident with assembling this unit, contact customer service.

**⚠ WARNING:** Keep small parts away from children during assembly.

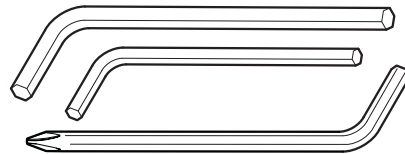
**NOTE:** All of the directions (right, left, front, rear, etc.) in this manual are as seen by the rider while seated.

Do not dispose of the carton and packaging until you complete the assembly of the product. This can prevent accidentally discarding parts of the unit.

## Tools Needed



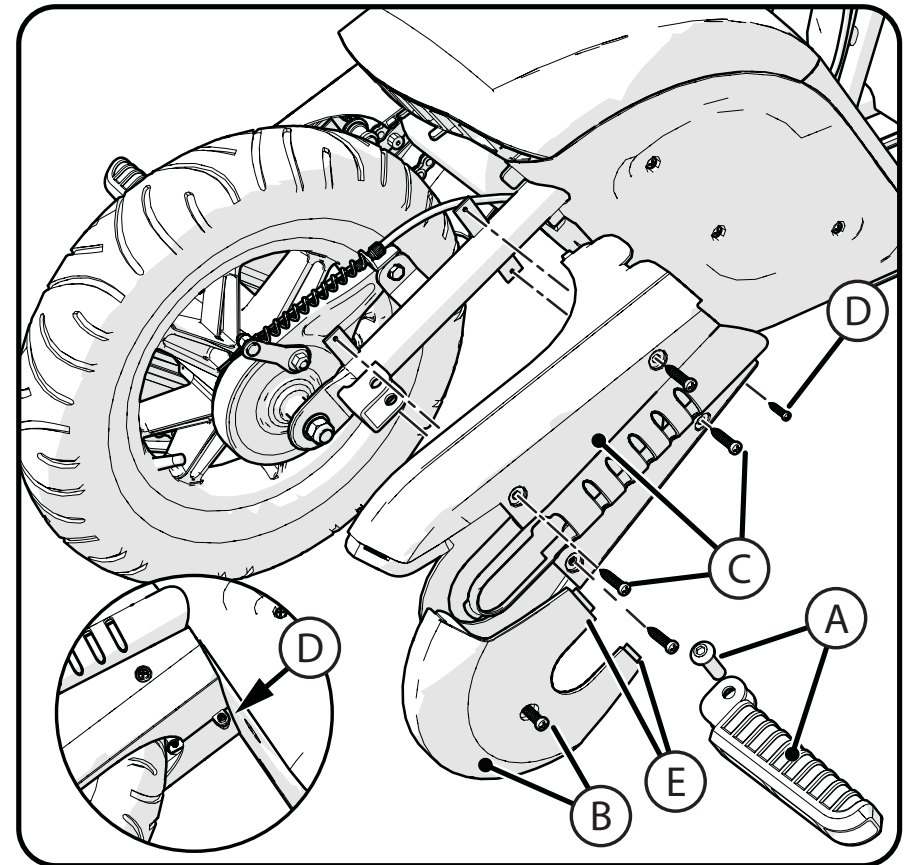
Wrenches (10-13mm supplied)



Allen/Phillips Wrenches (supplied)

**⚠ WARNING:** Check front tire pressure before riding! See Maintenance section.

## Brake Adjustment - Remove Left Front Cowling



**NOTE:** If Brakes cannot be fully adjusted from Hand Brake Adjustment, the Front Cowling must be removed to gain access for Wheel Brake Adjustments:

### STEPS:

1. Using two 5mm Allen wrenches, remove Left Foot Peg **(A)**.
2. Using Phillips screwdriver, remove 1 Screw and Front Cowling **(B)**.
3. Using Phillips screwdriver, remove 4 side Screws **(C)** and 1 bottom Screw **(D)**, then remove Cowling Side.

**NOTE:** Screw **(D)** is underneath the cowling towards the top.

4. Proceed to next step.

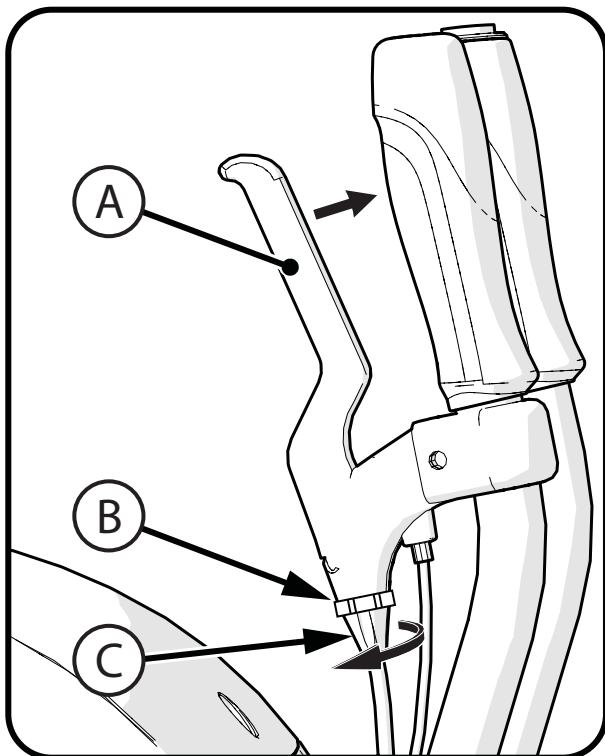


## Brake Adjustment - Hand Brake

**NOTE:** If the vehicle will not stop in a safe distance, or the Brake Lever (A) touches the Hand Grip, the Brake must be adjusted.

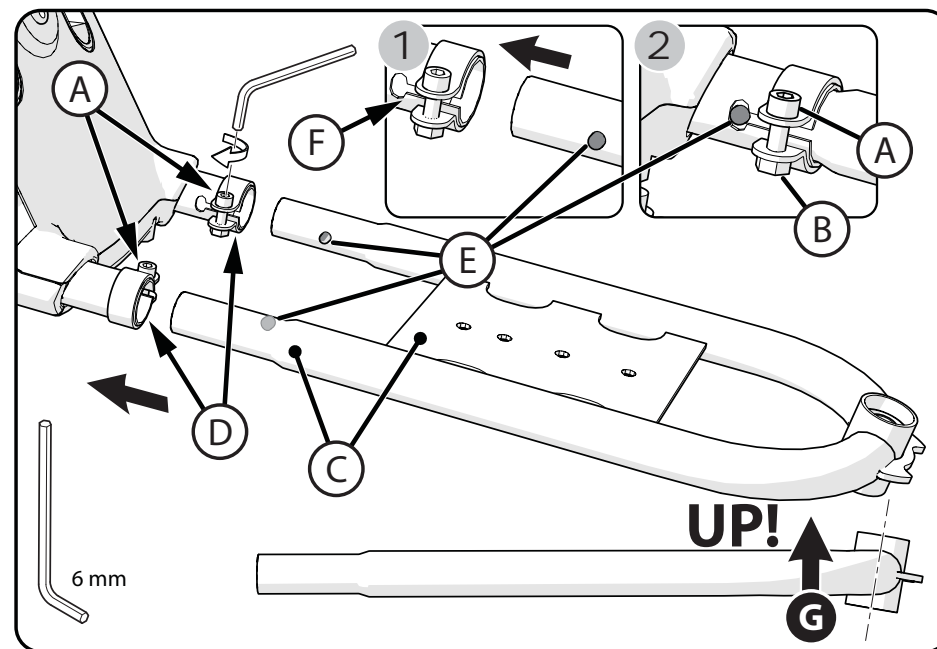
### STEPS:

1. Loosen Barrel Lock Nut (B).
2. Turn Adjust Barrel (C) counter-clockwise until the Brake Lever (A) does not touch the Hand Grip when squeezed hard enough to stop the vehicle safely.
3. Tighten Barrel Lock Nut (B) against Hand Brake Lever - Do Not overtighten.



**NOTE:** If Brakes cannot be fully adjusted from Hand Brake Adjustment, the Front Wheel Brake must also be adjusted. **Proceed to next steps.**

## Assemble Front Frame to Rear Frame



### STEPS:

**CAUTION:** Ensure Frame (C) is facing **UP** with rear Axle Mount tilting **BACK** (G).

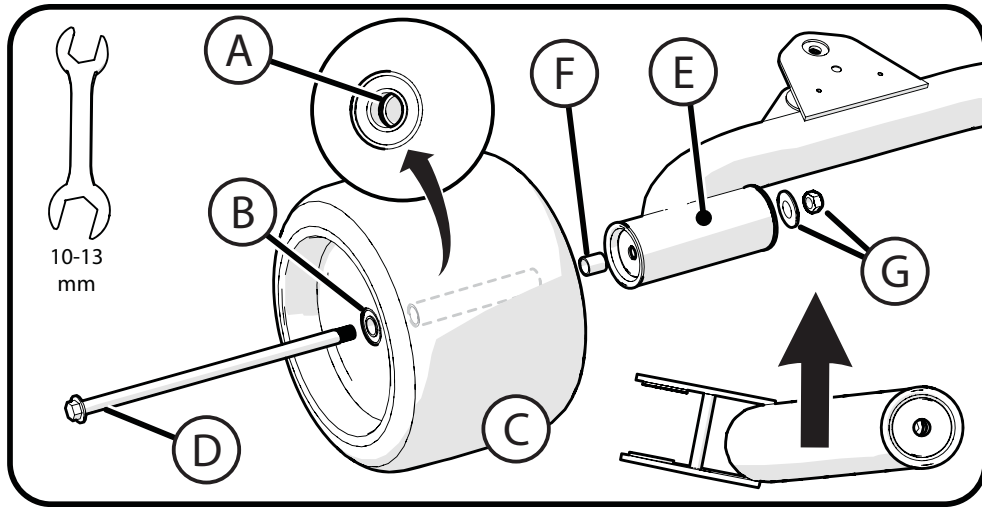
**NOTE:** Mounting Screws (A) and Locknuts (B) may be pre installed at the factory.

1. Begin by loosening Screws (A) and Locknuts (B) slightly.
2. Make sure rear section of Frame (C) is right side **UP** (G).
3. Insert Rear Frame Tubes **fully and evenly** into front Frame Tubes (D).

**! WARNING:** Ensure both Lock Buttons (E) on the Rear Frame sections are fully engaged with the Locking Hole Stops (F) in the end of the front Frame Tube. Failure to fully engage the lock button can result in personal injury.

4. Tighten Screws (A) and Locknuts (B) evenly and securely.

### Installing the Rear Wheels:



#### STEPS:

**NOTE:** Wheels are shipped with inner Bushing (A) and both Roller Bearings (B) in place in Wheel (C). Ensure these are in place before beginning assembly.

1. Insert Axle Bolt (D) through Wheel (C) (with wheel graphic OUTWARD) by guiding it through Inner Bushing (A) and through both Roller Bearings (B). - Ensure Roller Bearings remain fully in place.
2. Insert one Bushing (F) onto Axle Bolt.
3. Insert this assembly through Axle Frame (E) fully.
4. Install Washer and Locknut (G) onto Axle Bolt. Tighten securely making sure threads are fully engaged in Locknut.

### Drive Motor Battery

Only an adult who has read and understands the safety warnings should handle, charge or recharge the battery. Failure to comply with all safety warnings may result in serious injury or death.

### Battery Fuse

The drive motor circuit features a thermal fuse that will automatically trip and cut all power to the vehicle if the motor, electric system or battery is overloaded. The fuse will reset and power will be restored after a short time. If the thermal fuse trips repeatedly during normal use, the vehicle may need repair.

**⚠ WARNING: DO NOT BYPASS THE FUSE - RISK OF FIRE. This may overload and damage the electrical system.**

### Battery Storage and Disposal

The drive battery should be charged when depleted, or if not used regularly, once a month. Failure to charge the battery as directed will cause permanent damage to the battery and will void the warranty.

#### Follow these guidelines if the battery is removed:

- Do not store battery in extreme hot or cold temperatures.
- Wipe the battery clean with a dry cloth prior to storage. Wash cloth separate from other clothes.

#### BATTERY DISPOSAL:

- The sealed lead-acid battery must be re-

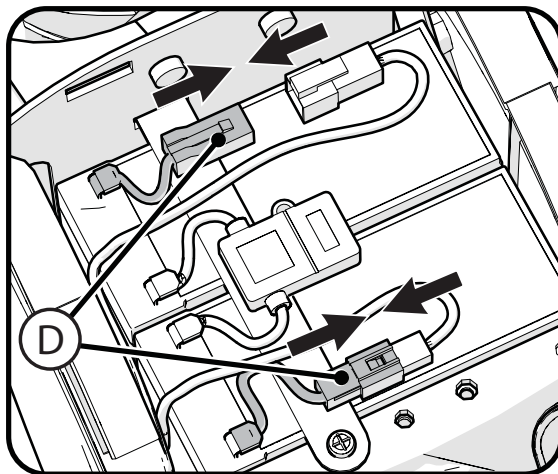
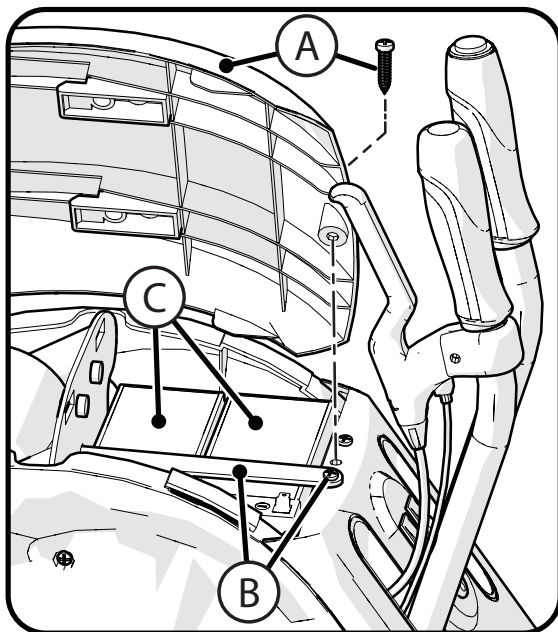
cycled or disposed of in an environmentally sound manner.

- Do not dispose of battery in a fire. The battery may explode or leak acid.
- Do not dispose of the battery in household trash. The incineration, land filling or mixing of sealed lead-acid batteries with household trash is prohibited by law.
- Return an exhausted battery to a federal or state approved lead-acid battery recycler, such as a local seller of automotive batteries (check local battery disposal regulations).

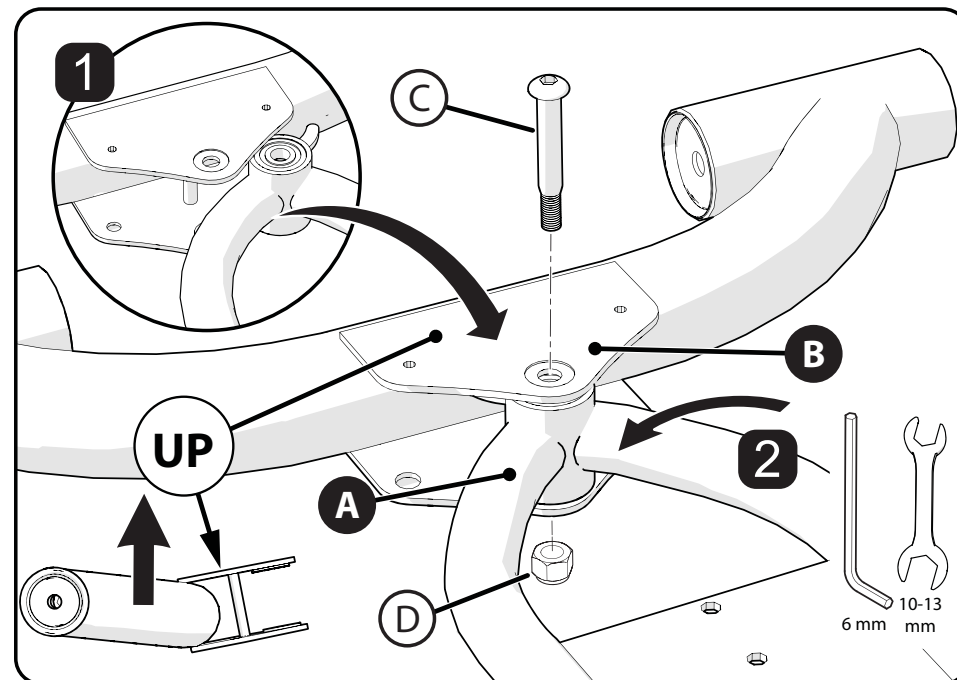
## Replace Drive Battery

### STEPS:

1. Turn Power OFF and disconnect any battery charger.
2. Remove Cowling (A) and set aside.
3. Remove Battery Bracket (B) for access to Batteries (C).
4. Disconnect the two Battery Connectors (D).
5. Carefully remove the batteries.
6. Place the old batteries in a plastic bag.
7. Install replacement batteries (same as original equipment)
8. Reconnect the two Battery Connectors (D) making sure Red goes to Red and Black goes to Black.
9. Replace the Battery Bracket and screw (B) - fitting Bracket UNDER all wires as shown.
10. Reinstall Cowling.
11. Wipe the battery with a dry cloth prior to storage. Wash cloth separately from other clothes.



## Assemble Rear Steering Axle



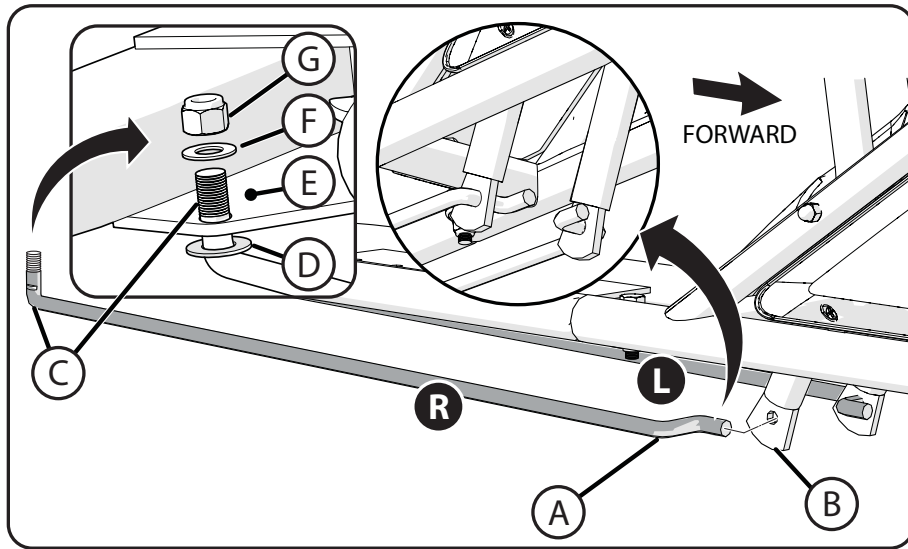
### STEPS:

**NOTE:** Bolt styles may vary.

1. Position Rear Axle in the UP position.
2. Place the Forward Frame (A) into the Pivot Bracket (B) so the mounting holes line up.
3. Install Pivot Bolt (C) down through Pivot Bracket (B) and Rear Frame pivot end.
4. Install Locknut (D).
5. Tighten Locknut securely.

**⚠ WARNING:** Periodically check Pivot Bolt for tightness. If the Pivot Bolt comes loose, damage to the product or rider injury may occur.

### Attaching Steering Linkage:



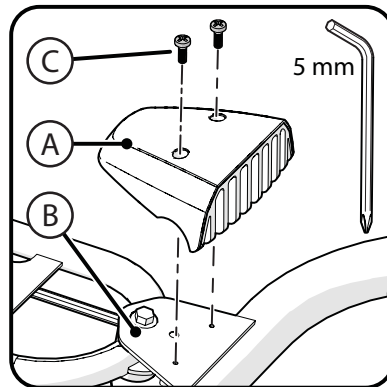
#### STEP 1 (Note: Steering Rods are marked **R** and **L**):

1. Insert FRONT End **A** of **Right** Steering Rod **R** into right Steering Rod Handle End **B** as shown on right side of unit.
2. Make sure Rods are on the OUTSIDE of the Steering Rods (as shown) and the back of Rods are pointing UP **C**.
3. Place Larger Washer **D** onto Threaded Rod End **C** as shown.
4. Insert Threaded Steering Rod End up into rear axle Steering Plate **E**.
5. Install Washer **F** and Locknut **G**. Tighten securely making sure threads are fully engaged in Locknut.
6. Repeat for opposite side.

#### INSTALL REAR AXLE COWLING:

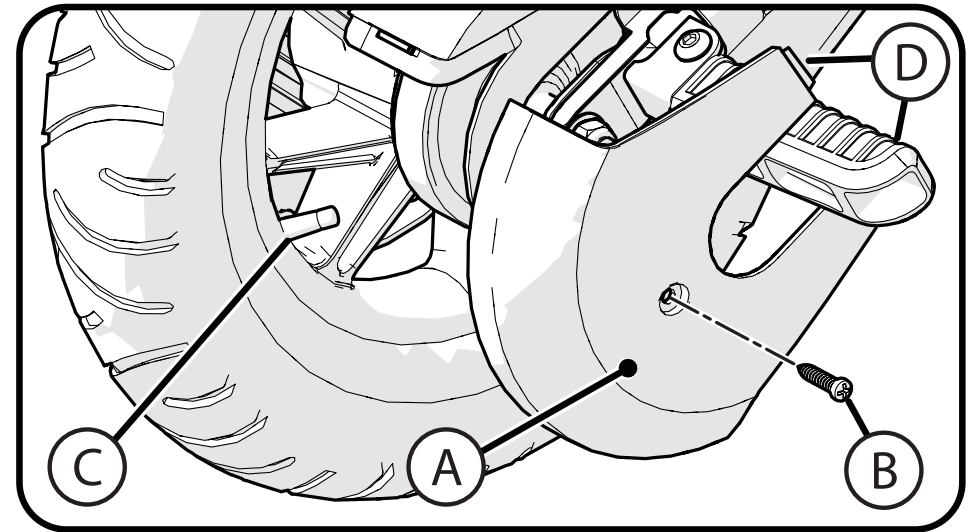
**NOTE:** Screws **C** maybe pre-installed in Rear Axle Plate **B**. Remove and set aside.

1. Place Pivot Bolt Cover **A** over Rear Axle Plate **B** so that mounting holes line up.
2. Install two Screws **C** through Cover and into Rear Axle Plate.
3. Install Screws securely. Do not over tighten.



**NOTE:** Cover must be removed to check Pivot Bolt for tightness.

### Tires: Accessing the Filler Valve



#### STEPS TO ACCESS FILLER VALVE:

- Remove Cover **A** by removing Screw **B** to access Filler Valve **C**.
- When Tire is properly inflated, replace Cover and Screw - **NOTE:** Fit Cover Tabs **D** UNDER Left Wheel Cowl.

## Tires

### Maintenance:

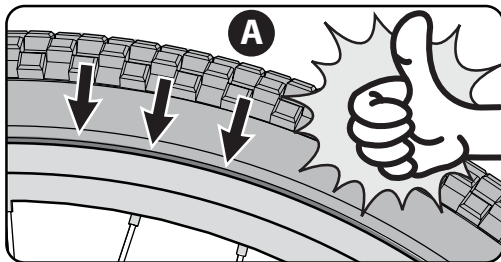
- Frequently check the tire inflation pressure because all tires lose air slowly over time. For extended storage, keep weight off of the tires.
- Do not use unregulated air hoses to inflate the tire/tubes. An unregulated hose can suddenly over inflate tires and cause them to burst.
- Replace worn tires.

**⚠ WARNING:** Do not ride or sit on the unit if a tire is under inflated. This can damage the tire, inner tube and rim.

### Inflating the Tires:

- Use a hand or a foot pump to inflate the tires.
- Service station meter-regulated air hoses are also acceptable.
- The maximum inflation pressure is shown on the tire sidewall.
- If two inflation pressures are on the tire sidewall, use the higher pressure for on-road riding and the lower pressure for off-road riding.
- The lower pressure will provide better tire traction and a more comfortable ride.

Before adding air to any tire, make sure the edge of the tire (the bead) is the same distance from the rim, all around the rim, on both sides of the tire **(A)**. If the tire does not appear to be seated correctly, release air from the inner tube until you can push the bead of the tire into the rim where necessary. Add air slowly and stop frequently to check the tire seating and the pressure, until you reach the correct inflation pressure.



## Installing Seat

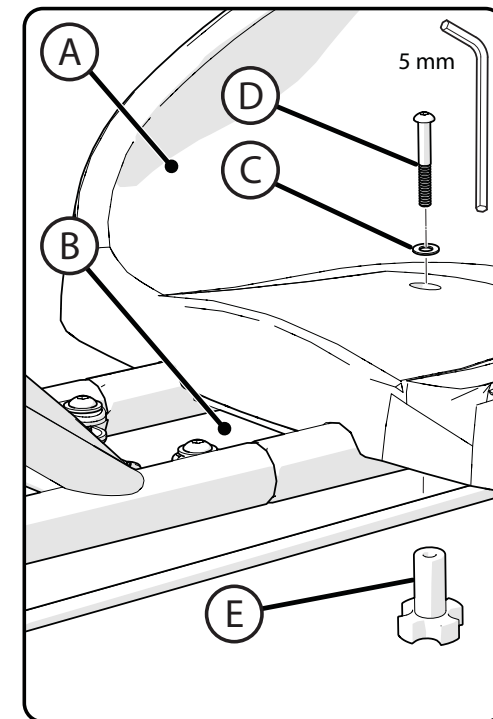
### STEPS:

1. Place Seat **(A)** over Frame Seat Holes **(B)** (adjust Seat position for proper fit).
2. Insert Washer **(C)** and Seat Bolt **(D)** through Seat as shown.
3. Attach Adjustment Knob **(E)** to Seat Bolt **(D)** from underneath.
4. Tighten Adjustment Knob securely. Do not over tighten. This can damage the Seat.

### NOTES:

- Seat styles may vary.
- Retain tools for later adjustment.

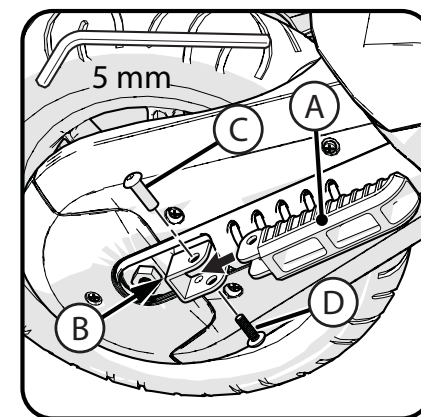
**⚠ WARNING:** Adjust Seat so that rider can fully use the Brake safely.



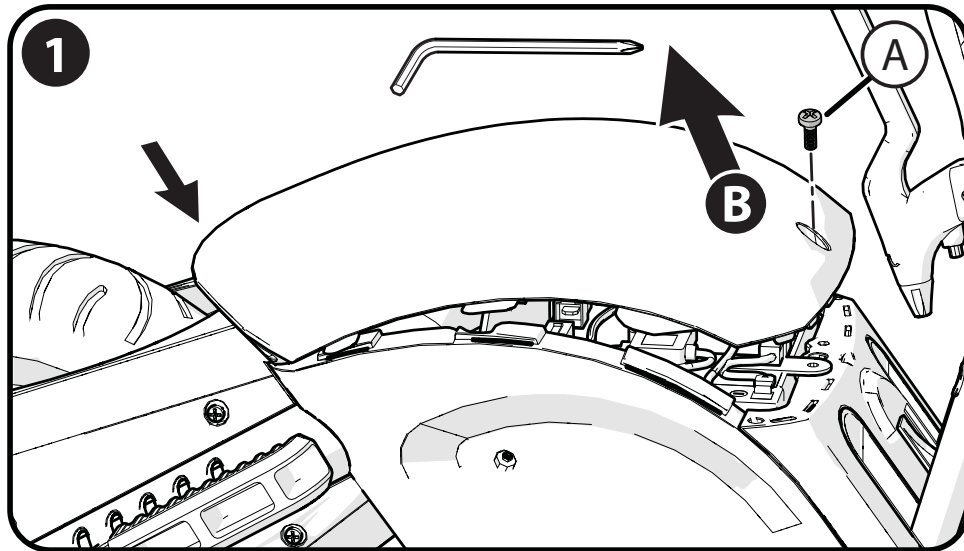
## Install Foot Pegs:

### STEPS:

1. Install each Foot Peg **(A)** by inserting into Frame Mount **(B)** as shown. Peg Flange is tapered, so start with end opposite holes, then rotate into position.
2. Insert Shoulder Screw **(C)** from TOP.
3. Install threaded Screw **(D)** from bottom.
4. Tighten securely.
5. Repeat for opposite side.

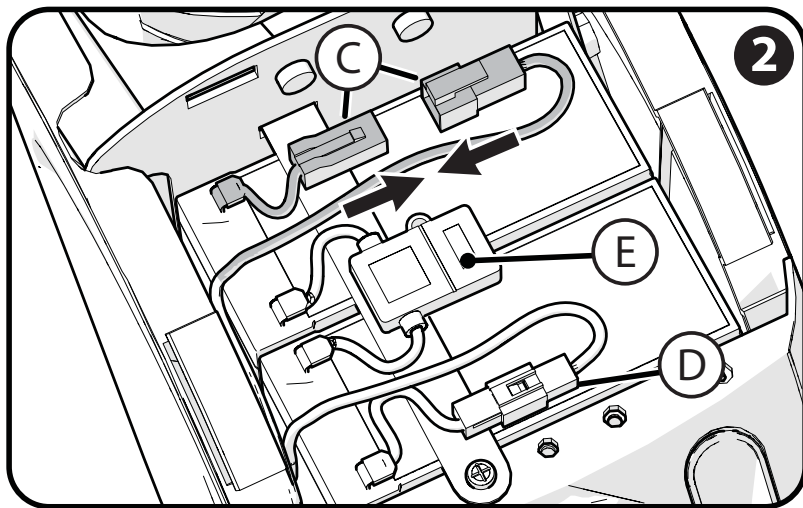


**Connecting the Drive Batteries:**



**STEP 1 - Remove Cowling:**

- Remove Screw **A** and set aside.
- Lift REAR of Cowling **B** UP until it loosens. Some force may be necessary. Slide back towards control arms and lift off.



**STEP 2 - Connect Batteries:**

- Attach RED wire Battery Connectors **C** firmly and completely.
- The BLACK wire Battery Connectors **D** are factory connected.

**! WARNING RISK OF FIRE.** Do not bypass. Replace only with 30 Amp Fuse: **E**.

**Maintenance Repair and Service**

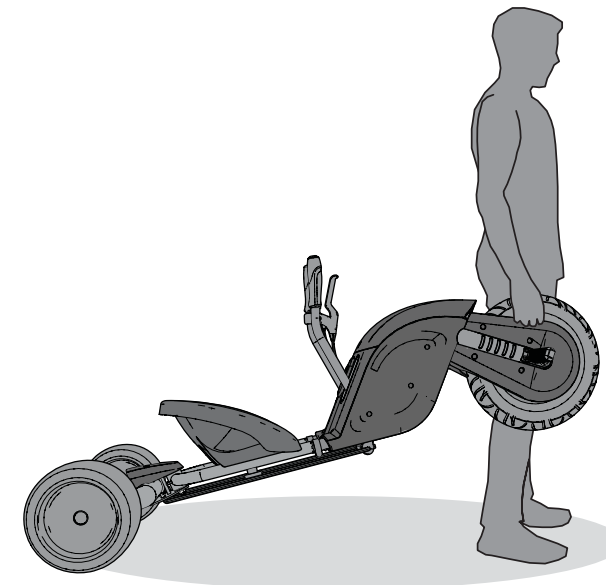
**GENERAL:** The vehicle should be checked for damage, missing or badly worn parts before each use. If any part of the product does not operate properly – discontinue use.

- Check the tightness of the fasteners before each use. Replace any fasteners that are damaged.
- Inspect the product frequently. Failure to inspect the product and to make repairs or adjustments, as necessary, can result in injury to the rider or to others. Make sure all parts are correctly assembled and adjusted as written in this manual and any “Special Instructions”.
- Immediately replace any damaged, missing, or badly worn parts.
- Make sure all fasteners are correctly tightened as written in this manual and any “Special Instructions”. Parts that are not tight enough can be lost or operate poorly. Over tightened parts can be damaged. Make sure any replacement fasteners are the correct size and

- type.
- Check the tightness of the wheels: **NOTE:** If the drive wheel is not tight, it will not engage the gears and the vehicle will not run.
- Ensure the battery bracket is securely in place before use.
- Store the vehicle indoors. Keep it away from sources of heat, such as stoves and heaters.
- Keep the product clean and free of dirt, dust and water. This will prolong the useful life of the product.
- Clean the vehicle with a soft, dry cloth. To restore shine to plastic parts, use a non-wax furniture polish. Do not use automotive wax, abrasive cleaners or wash the vehicle with soap and water.

**NOTE:** If the instructions in this manual or any “Special Instructions” are not sufficient for you, please contact customer service.

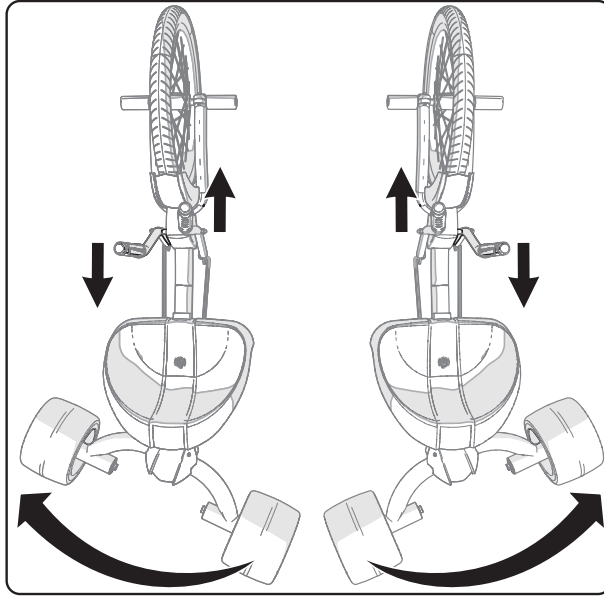
**Suggested Handling Method:**



### Operation: Steering your Green Machine

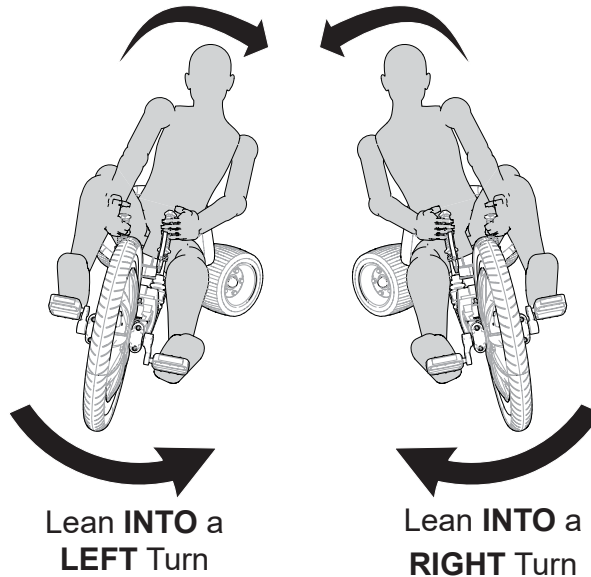
#### Steering Function:

- Pulling back on the left lever, and pushing forward on the right lever will turn the product towards the left.
- Pulling back on the right lever, and pushing forward on the left lever will turn the product towards the right.
- Steering this product takes some practice. Ensure the rider can properly steer the product. Practice in an open area.

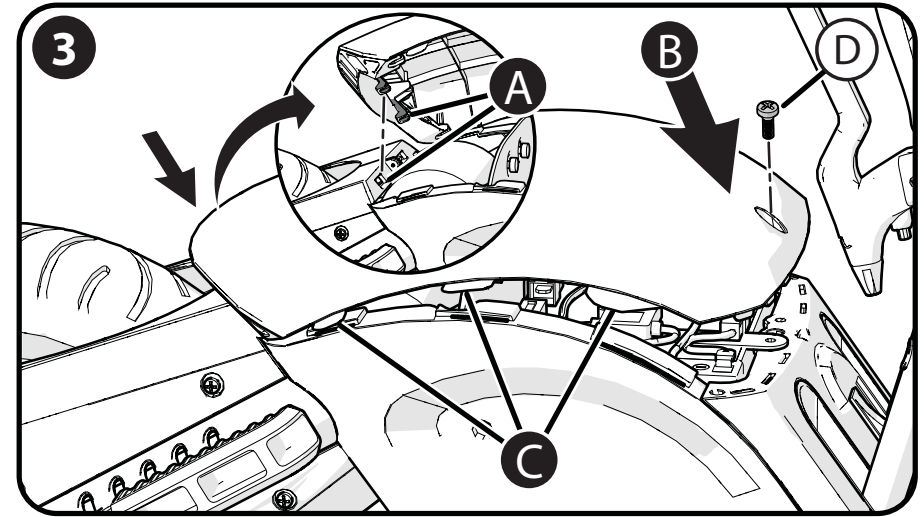


### Operation: Leaning into a Turn

**⚠ WARNING:** Failure to lean in the direction of the turn as shown can result in the unit rolling over.



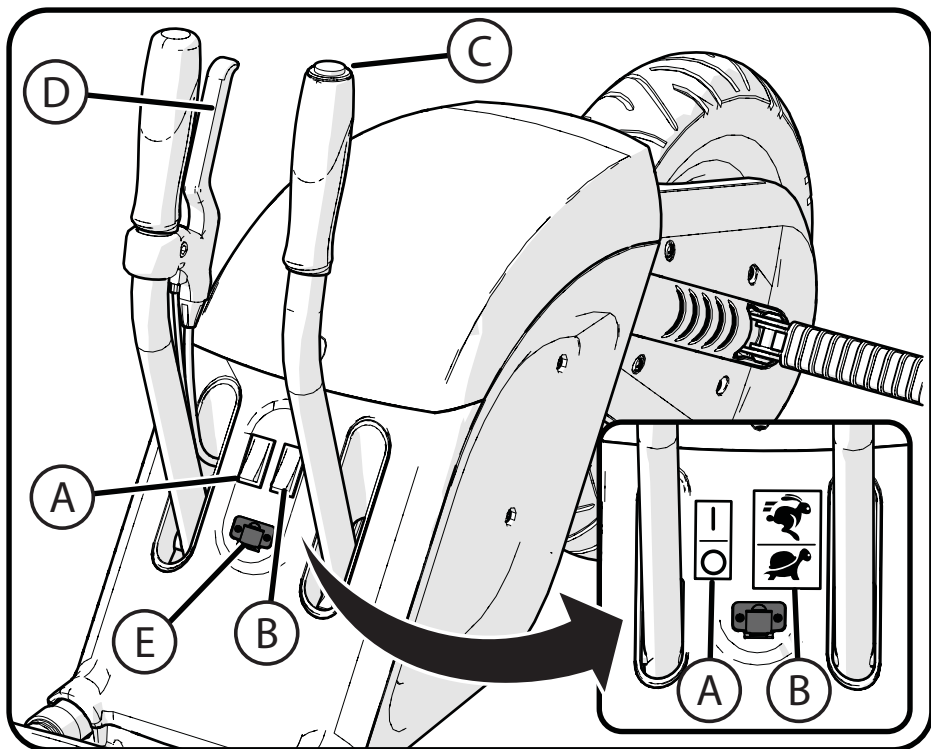
### Connecting the Drive Batteries - Replace Cowling:



#### STEP 3 - Replace Cowling:

- Position FRONT end of Cowl down so that Hooks **A** line up with Slots.
- While pushing back, lower back end of Cowl down **B** so that Tabs **C** insert into Slots.
- With Cowl fully in place, install Screw **D** securely.

## How to Operate the Unit



### OPERATION (make sure rider understands these instructions):

- Press the Power Switch button (A) to turn unit **ON (lighted)**.
- Press the Speed Switch (B) to select riding speed: **HI** or **LOW**.
- Press the Red Throttle Button (C) to engage power.
- Release the Red Throttle Button (C) to disengage power.
- Apply Brake (D) to disengage power and stop unit.

**NOTE:** Charging Port (E).

### THERMAL CUT-OFF FUSE:

If unit over-heats, a Thermal Fuse will cut off power for a short time. If fuse cuts off power, turn power off, wait at least 20 seconds and then turn power back on.

## Charging the Drive Battery:



**IMPORTANT!** Before using the unit for the first time the battery needs to be charged for at least **8 to 12 hours** - no more than **20 hours**. Once battery is depleted, recharge for **8 to 12 hours** - no more than **20 hours**.

### IMPORTANT!

- Check the drive battery and charger (supply cord, connector) for wear and damage before charging. Do not charge the battery if damage has occurred. Only replace with the same type and voltage rechargeable battery and charger supplied by the manufacturer.
- Only use the rechargeable battery (or equivalent replacement) and charger supplied with your vehicle.
  - Always turn power off and charge battery after riding.
  - The drive battery should be charged when depleted, or if not used regularly, once a month. Failure to charge the battery as directed will cause permanent damage to the battery and will void the warranty.

### STEPS:

1. Turn power switch OFF.
2. Locate Charging Port (A).
3. Plug Charger plug into unit Charging Port.
4. Plug Charger into Wall outlet (B).
5. When battery is fully charged, unplug charger from the wall outlet and disconnect from charger port.

**NOTE:** The charger may feel warm during the charging. If excessively hot, unplug and replace.

**NOTE:** This product has charging protection: When charging, all functions are turned OFF.

