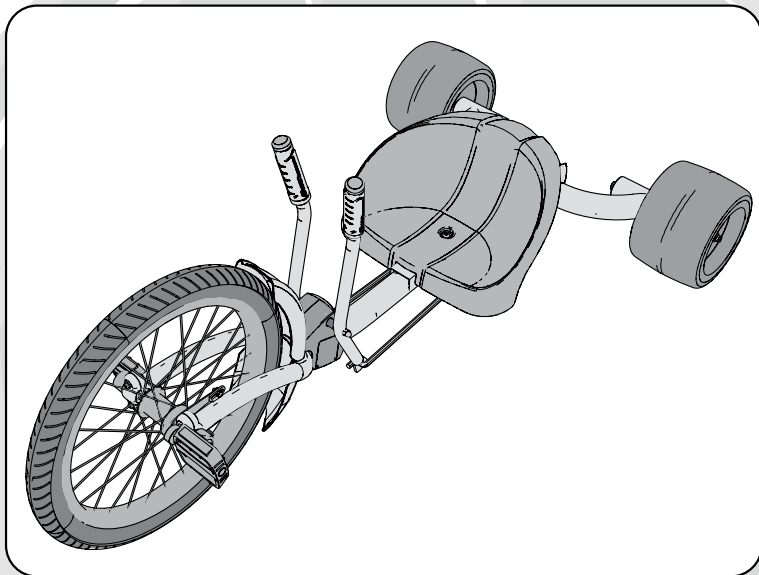


HUFY GREEN MACHINE

Owner's Manual



This manual contains important safety, assembly, operation and maintenance information.

Please read and fully understand this manual before operation.

Save this manual for future reference.

Date Code Label
Here



Your Green Machine

- Owner's Model Identification Record..... 3
- Warning and Safety Information 4-5
- Assembly Notes - Tools Needed..... 6
- Operating Your Green Machine 7-9
- **Coaster Brake** 9

Model Assembly

- Parts Assembly List 10-11
- Assemble Front Frame to Rear Frame..... 12-14
- Assemble Steering Linkage..... 15-16
- Assemble Rear Steering Axle..... 17-18
- Assemble Rear Wheels 19
- Installing Seat 20
- Installing Pedals 20

Maintenance and Service

- Repair and Service 21
- Torque Chart..... 22
- Tires 23
- Tire/Tube Replacement 24
- Lubrication and Lubrication Table 25
- Inspection of the Bearings 25

Warranty

- Corporation Limited Warranty..... 26-27



WARNING:

- **CHOKING HAZARD:** Small parts. Not for children under 3 years. Adult assembly required. Keep small children away when assembling.
- The user must be **8+ years**, and weigh no more than **180 lbs (82kgs)**.

Owner's Model Identification Record

NOTE: This information is only available with model itself. It is not available from Huffy.

Model number is on the packaging and instruction manual.

Write the model number below to keep it for future reference.

If the model is stolen, give this number and a description of the model to the police. This will help them find the model.

Model Number:

Purchase Date:

Model Name:

Warning and Safety Information

PLEASE READ AND FULLY UNDERSTAND THIS OWNERS MANUAL BEFORE OPERATING THE PRODUCT



This symbol is important. See the word “**CAUTION**” or “**WARNING**” which follows it.

The word “**CAUTION**” is before mechanical instructions. If you do not obey these instructions, mechanical damage or failure of a part of the product can occur.

The word “**WARNING**” is before personal safety instructions. If you do not obey these instructions, injury to the rider or to others can occur.

All wheeled vehicles will provide safe, enjoyable transportation and recreation when used and maintained properly. Like bicycling, skateboarding, and in-line skating, riding can be dangerous even under the best of circumstances. We do not want you to get hurt. Please follow all safety rules and operating instructions.

This toy should be used with caution since skill is required to avoid falls or collisions causing injury to the user or third parties.



WARNING - TO AVOID SERIOUS INJURY:

- CHOKING HAZARD. Small parts. Not for children under 3 years.
- Adult assembly is required.
- Continuous adult supervision is required.
- The brake may be hot after continuous use. Do not touch after braking.
- Ensure rider can reach the pedals through full range of motion.
- Always wear a CPSC approved helmet while riding, with the chinstrap securely fastened.
- Always wear shoes when riding.
- Ride on smooth paved surfaces. Do not ride on streets or roadways.
- Always comply with local laws and regulations.
- Never use near motor vehicles.
- Do not ride on hills, steeply sloped areas, on or near steps, near swimming pools, or in alleys.
- Do not ride the product at dusk, at night or at times of limited visibility.
- Do not ride off road, on grass or wet surfaces.
- Do not ride the product over curbs or bumps that can damage the steering mechanism.
- Do not wear headphones or anything else that would impair your ability to hear or see.
- Do not jump or ramp product.
- Do not tow the product.

Warning and Safety Information - continued

- Do not pull any objects with the product.
- Do not push the product.
- Never ride with more than one person.
- Excessive weight may cause a hazardous or unstable condition.
- Understand all operating procedures before riding.
- Do not add a motor to the product.
- Do not modify the product.
- Before each ride check all screws, fasteners and brakes; re-tighten any that are loose. Replace any fasteners that are damaged.
- Handlebar hand grip or tube end plugs should be replaced if damaged as bare tubes have been known to cause injury. All products with capped handlebar ends should be checked regularly to ensure that adequate protection for the ends of the handlebars are in place.
- Replacement forks must have the same rake and tube inner diameter as the original product.
- Know your limits. Be familiar with your abilities. Use common sense.
- Replace worn or broken parts immediately.
- If anything does not operate properly, discontinue use.

IF YOU HAVE ANY QUESTIONS REGARDING THE OPERATION OF THIS PRODUCT, PLEASE REFER TO THIS OWNERS MANUAL OR CALL CONSUMER SERVICE



ASSEMBLY WARNINGS:

Wheels, Tire & Axle:

- The rear axle nuts must be securely tightened to ensure rear wheels do not come loose from the axle.
- All hardware must be sufficiently tightened to ensure it does not come loose.
- Recommended tube/tire inflation pressure is on the tire sidewall.

Pivot Bolt:

- Pivot bolt must be correctly and securely installed to ensure it does not come loose.

Steering Function:

- Ensure the Steering Levers move freely, front to back and all attaching hardware is securely tightened.

Seat:

- Secure the seat adjustment bolts each time the seat is moved.

Coaster Brake:

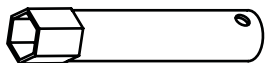
- Ensure seat is adjusted so rider can easily reach the front wheel coaster brake.

Assembly Notes

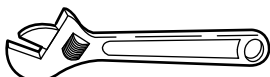
The instructions in this manual refer to the right and left side of the product, these are defined from the rider position. Do not discard any parts until the unit is completely assembled.

NOTE: Check Front Tire Pressure before first ride!

Required Tools



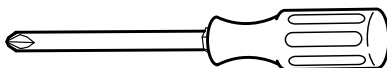
13mm socket (supplied)



Adjustable Wrench



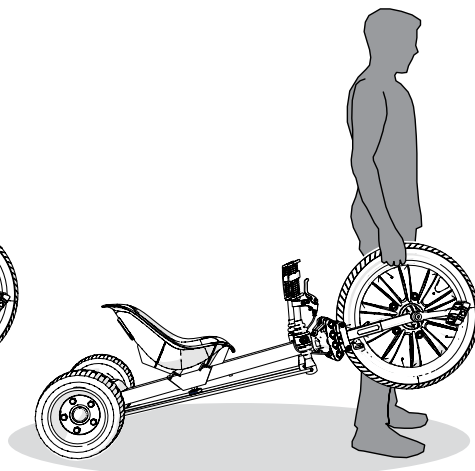
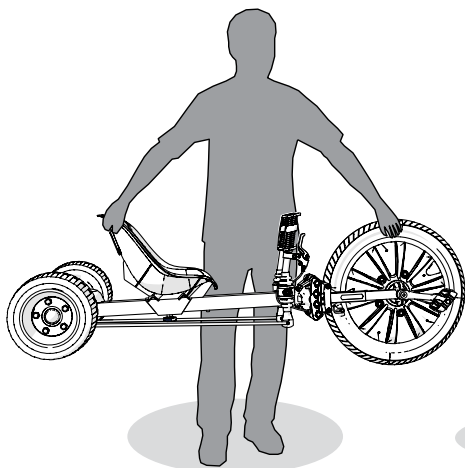
Metric Allen Wrench (supplied)

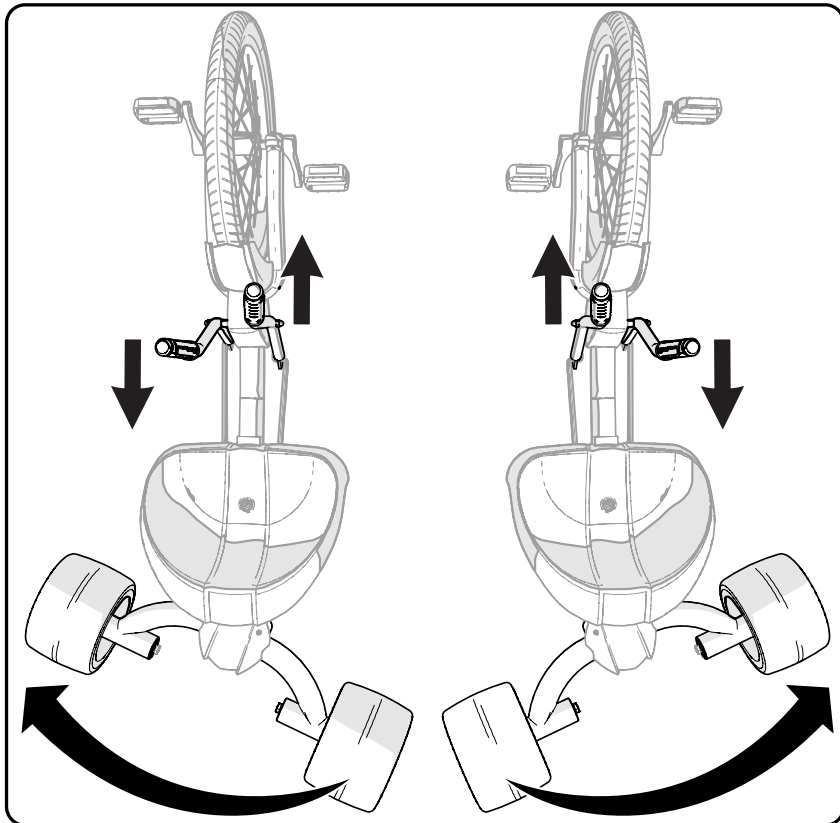


Phillips Screwdriver

Torque Wrench (recommended)

Suggested Handling Methods:

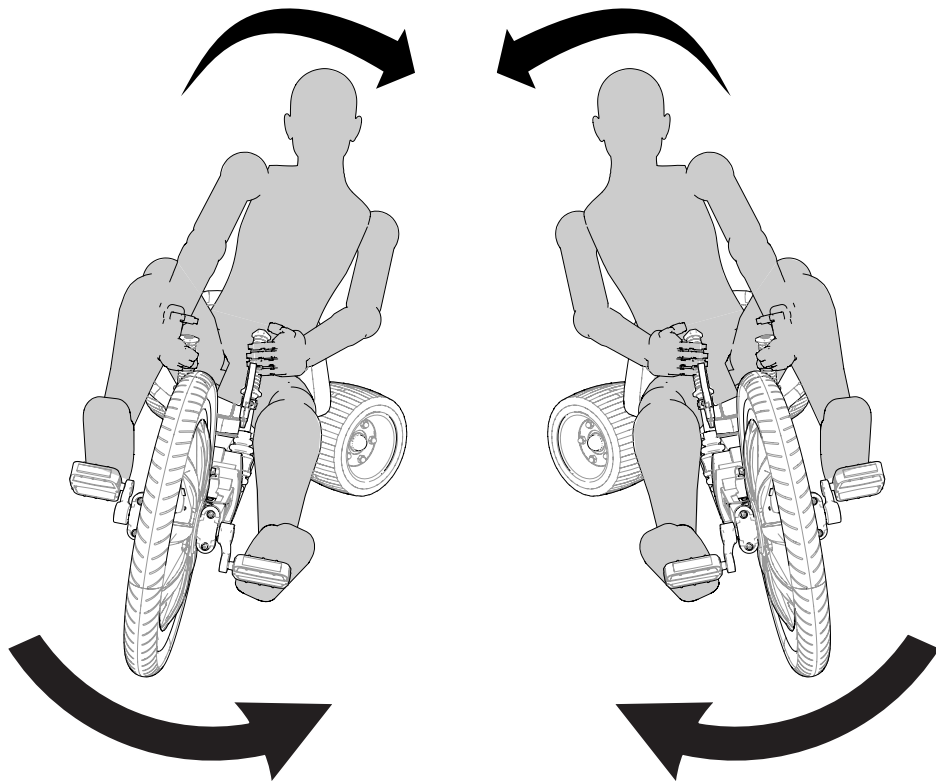




Steering Function:


- Pulling back on the left lever, and pushing forward on the right lever will turn the product towards the left.
- Pulling back on the right lever, and pushing forward on the left lever will turn the product towards the right.
- Steering this product takes some practice. Ensure the rider can properly steer the product. Practice in an open area.

Leaning into a Turn



Lean **INTO** a **LEFT** Turn

Lean **INTO** a **RIGHT** Turn

 **WARNING:** Failure to lean in the direction of the turn as shown can result in the unit rolling over.

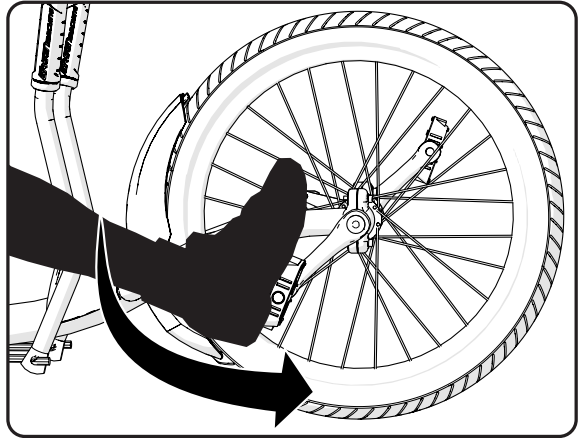
Coaster Brakes

These models are equipped with a 'coaster' brake that is operated by rotating the crank backwards.

Operation:

Operate the coaster brake as follows:

- Push the pedal down and forward as shown.
- As you push the pedals with increasing force, the braking action of the coaster brake increases.



Forward to Pedal, Backwards to Stop

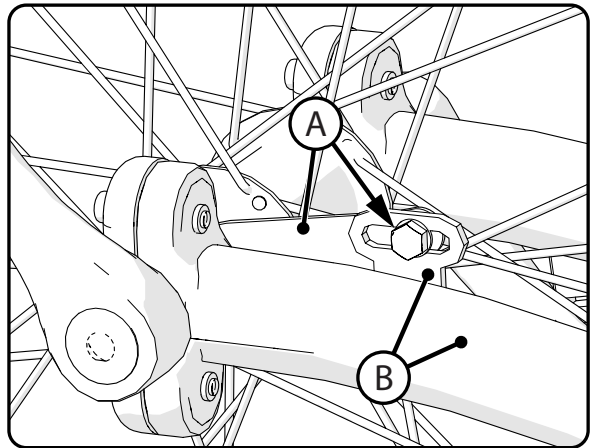


WARNING: Adjust Seat so that rider can fully use Coaster Brake safely.

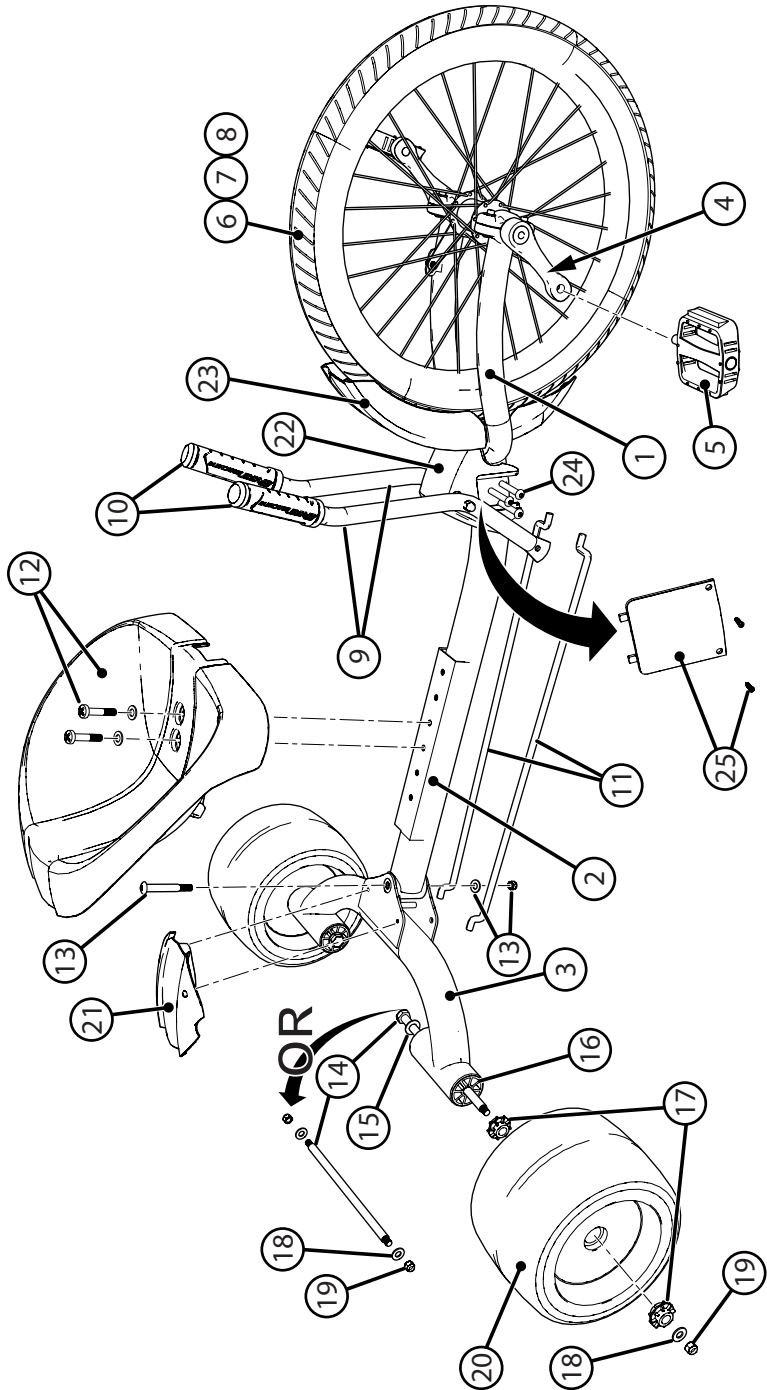


WARNING: If you do not obey the following instructions, injury to the rider or to others can occur :

- When you ride the product the first time, test the coaster brake and practice using it at a low speed in a large level area that is free of obstructions.
- Every time the product is ridden, make sure the Bolt on the Brake Arm (A) is securely attached to the Fork Mount (B). The coaster brake will not work correctly if the brake arm is loose or is not attached securely to the Fork Mount.
- Removal of Brake Arm Bolt (A) will result in brakes NOT working.



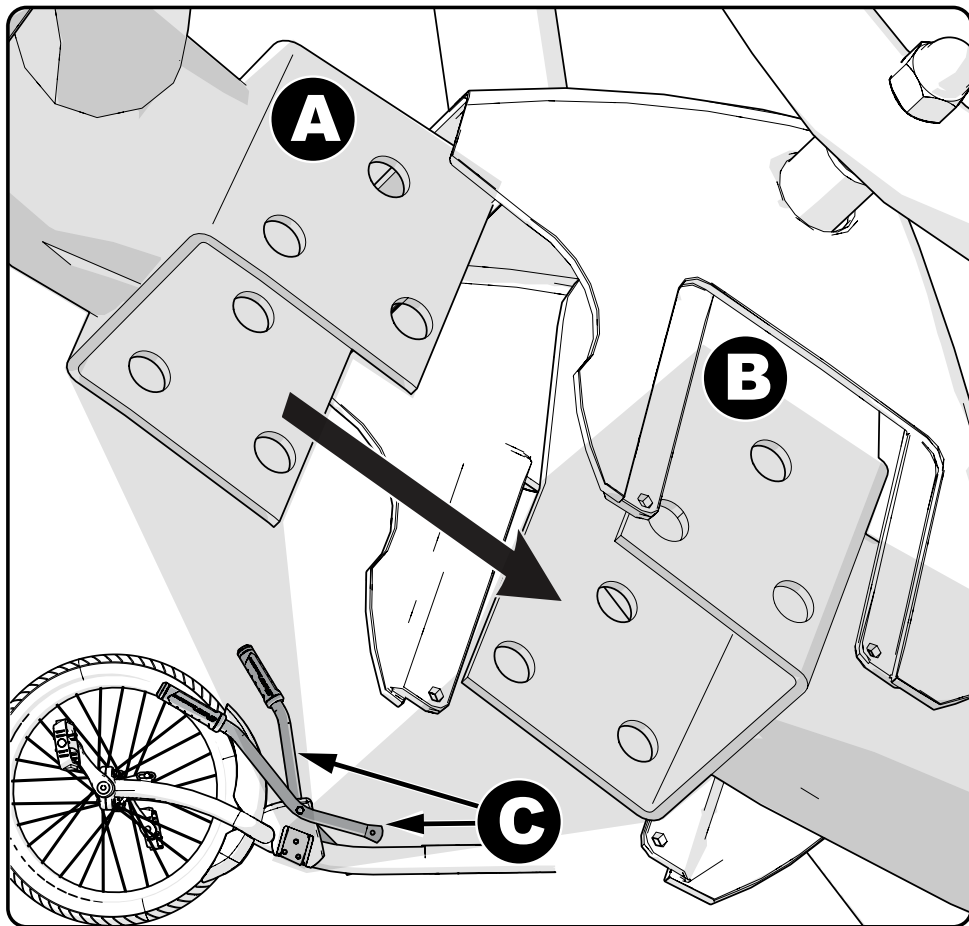
Parts Assembly View



Parts Assembly List

No.	Description	No.	Description
1	Forward Frame/Fork	15	Large Axle Bolt Washer (x2)
2	Rear Frame	16	Frame Bushings (x4)
3	Axle Frame	17	Wheel Bushings (x4)
4	Crank Assembly	18	Small Axle Washer (with Axle Bolt x2) (with Axle Rod x 4)
5	Pedals (left / right)	19	Axle Nut (with Axle Bolt x2) (with Axle Rod x4)
6	Tire	20	Rear Wheel (x2)
7	Tube	21	Rear Fairing / hardware
8	Wheel Assembly	22	Steering Fairing Assembly
9	Steer Levers (left / right)	23	Fender / Hardware
10	Grips (x2)	24	Frame Hardware (3 Bolts, Locknuts)
11	Steering Links (x2)		
12	Seat / hardware	25	Left and Right Fairing Doors (Right shown) & 4 Screws
13	Pivot Bolt Hardware		
14	Axle Bolt or Rod (x2)		

Assemble Front Frame to Rear Frame



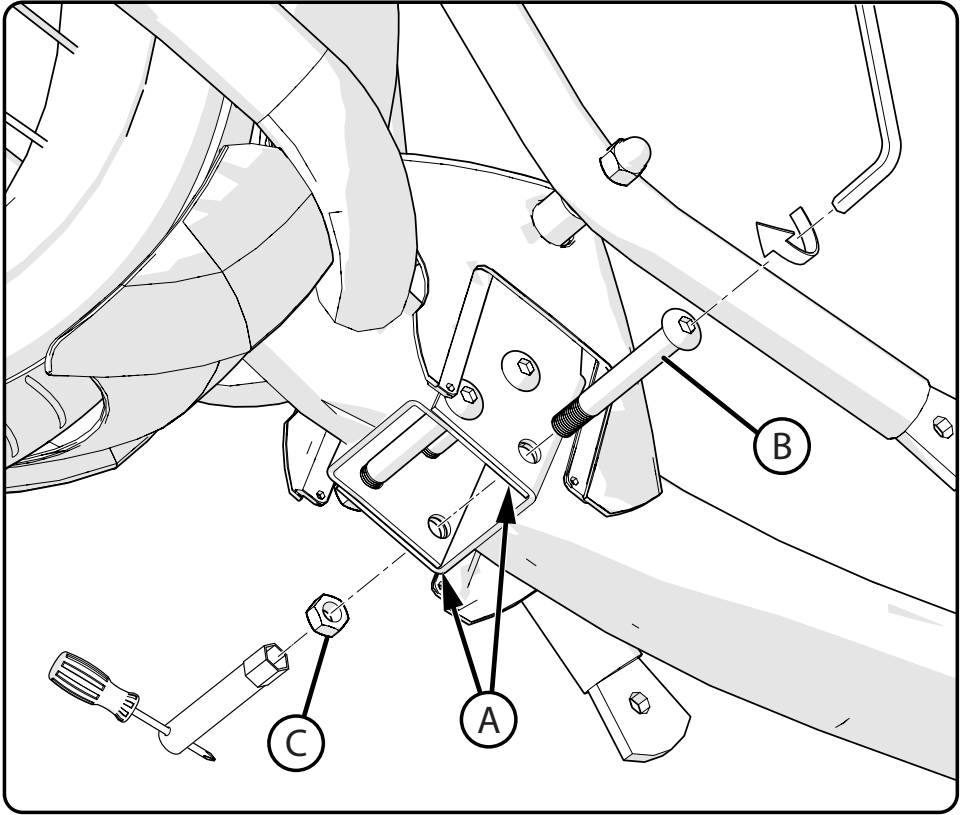
STEPS (Recommend two persons):

CAUTION: Ensure the Steering Arms are pushed forward as shown (C).

1. Remove fairing covers if installed.
2. Position the front and rear Frame Sections (A-B) as shown.
3. Attach the two Frame Sections by inserting the Forward Channel (A) into the Rear Channel (B) as shown.

Proceed to next step >>

Assemble Front Frame to Rear Frame - continued



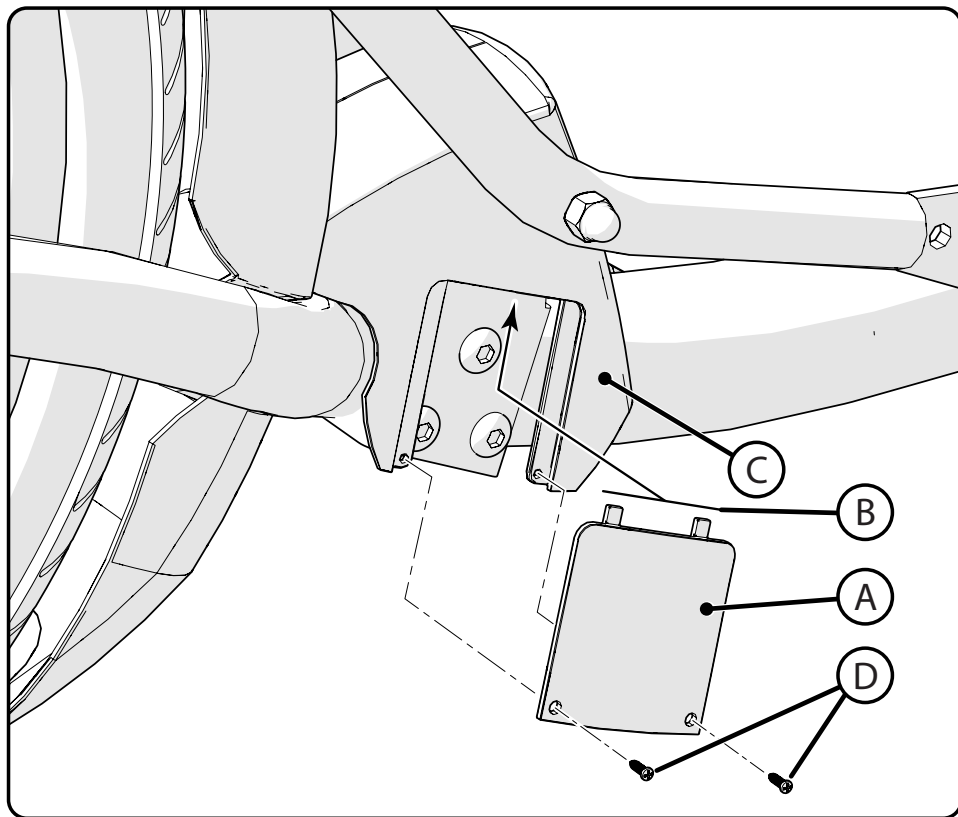
STEPS:

1. With both sections of Frame coupled (A) insert three Bolts (B) through assembly.
2. Install Locknuts (C) onto three Bolts.
3. Tighten evenly and securely.

NOTE: See Torque Chart for recommended torques.

Proceed to next step >>

Installing Fairing Cover Doors

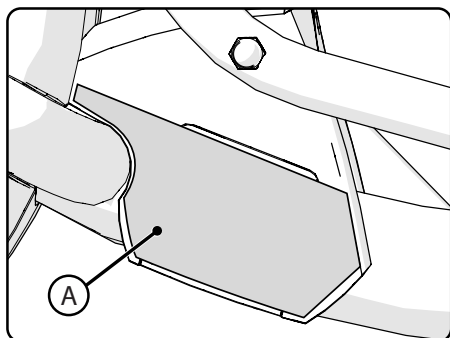


STEPS:

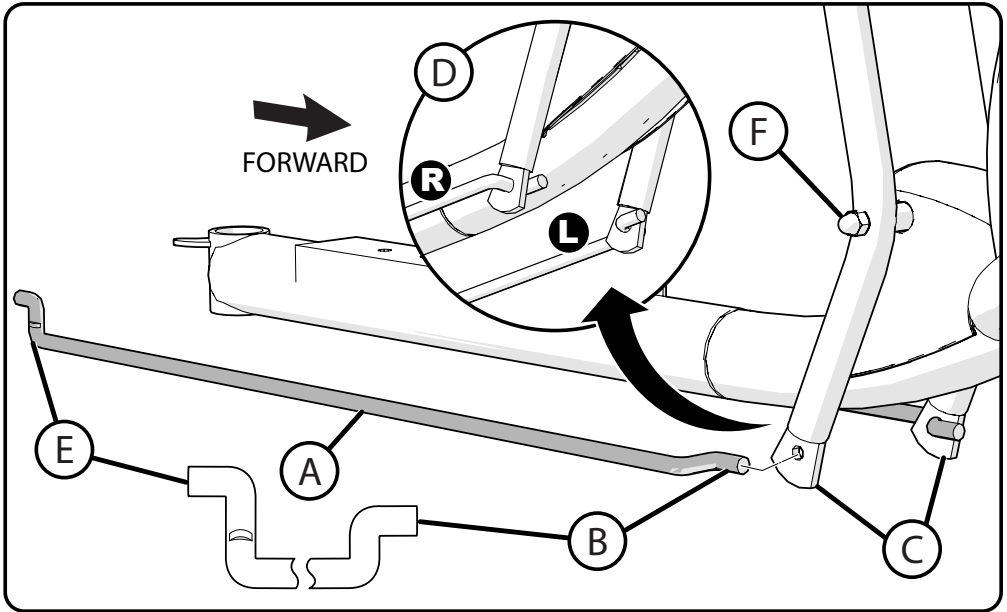
1. Install Door (A) by inserting Tabs (B) up and under Fairing Opening (C).
2. Install two Screws (D) securely. Do not over-tighten, this can damage the cover.
3. Repeat for opposite side.

Applying the Fairing Decal:

1. Make sure the Fairing and Door are clean, dry and free of fingerprints.
2. Carefully remove Decal (A) from backing.
3. Align Decal as shown and apply slowly and evenly to avoid bubbles or wrinkles.
4. Press firmly over entire surface of Decal.
- Repeat for opposite side.



Attaching Steering Linkage - Front



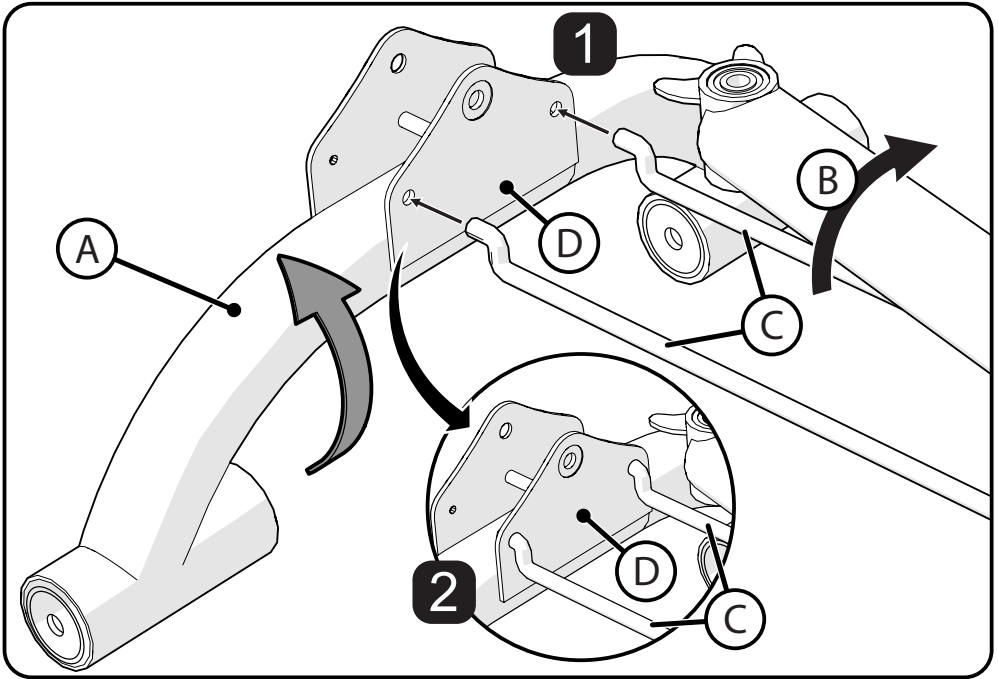
STEP ONE:

1. Insert end of **Right** Steering Rod (A) with SHORTER End (B) into Steering Rod Handle Ends (C) as shown on right side of unit.
2. Make sure Rods are on the OUTSIDE (view D) of the Steering Rods as shown and back of Rods are pointing UP (E).
3. Repeat on left side.

NOTE: The Steering Arms are pre-assembled at the factory. Periodically check tightness of Bolts/Screw (F). See Torque Table for recommended torques.

Proceed to next step >>

Attaching Steering Linkage - Rear

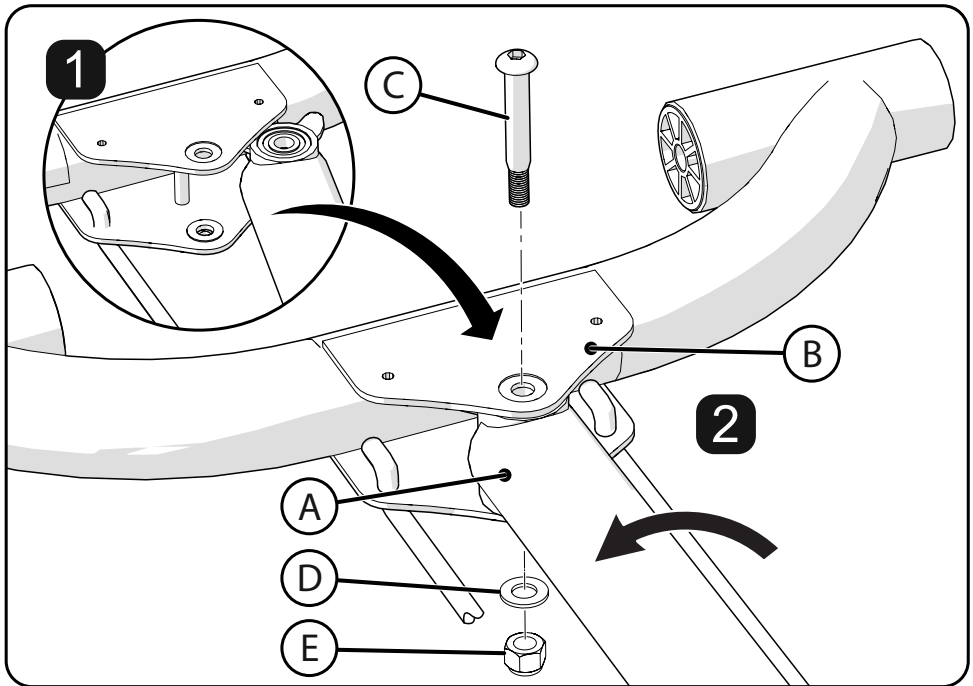


STEP TWO:

1. Rotate Rear Axle (A) UP 90°.
2. Move Frame (B) slightly to the side.
3. Insert both Steering Rods (C) into Pivot Bracket holes (D) as shown.

Proceed to next step >>

Assemble Rear Steering Axle

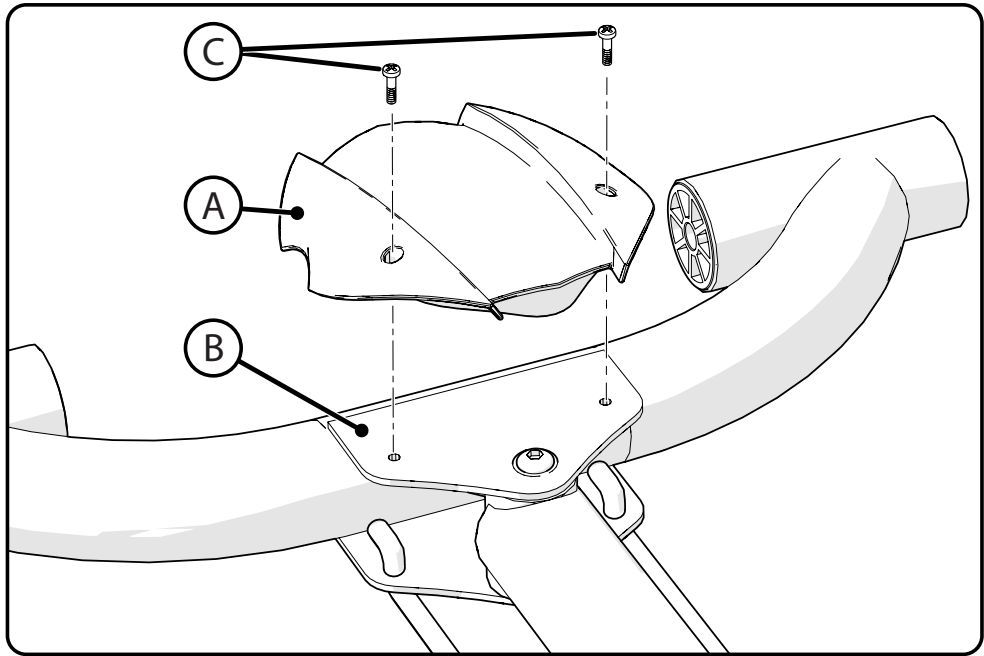


STEP THREE:

1. Rotate Rear Axle back to horizontal, while moving Frame (A) into place between Pivot Bracket holes (B).
2. Swing the Frame (A) into the Pivot Bracket (B) so the mounting holes line up.
3. Install Pivot Bolt (C) through Pivot Bracket and Rear Frame pivot end.
4. Install Washer (D) and Locknut (E) onto Pivot Bolt.
5. Tighten Locknut securely. **See Torque Chart for recommended torque.**

⚠ WARNING: Periodically check Pivot Bolt Nut for tightness. If the Pivot Bolt comes loose, damage to the product or rider injury may occur.

Installing Pivot Bolt Cover



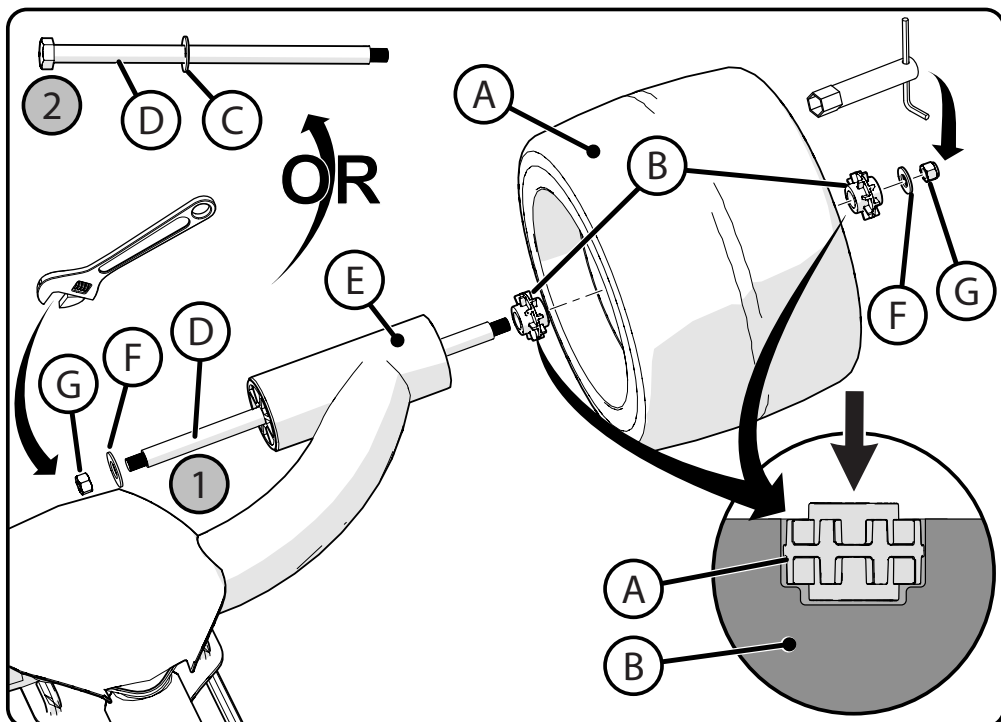
STEPS:

NOTE: Screws (C) maybe pre-installed in Rear Axle Plate (B). Remove and set aside.

1. Place Pivot Bolt Cover (A) over Rear Axle Plate (B) so that mounting holes line up.
2. Install two Screws (C) through Cover and into Rear Axle Plate.
3. Install Screws securely. No not over tighten.

NOTE: Cover must be removed to check Pivot Bolt for tightness.

Installing Rear Wheels



STEPS:

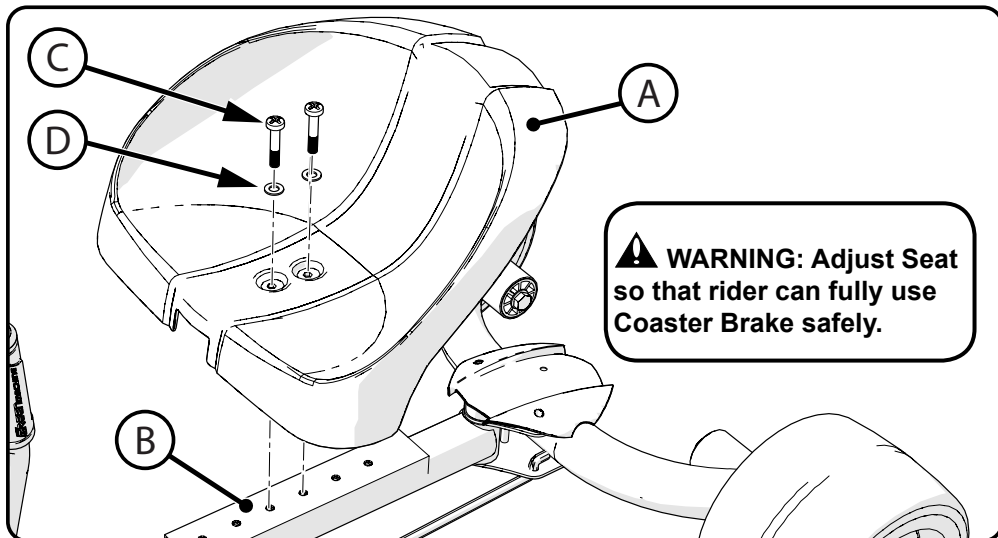
NOTE: Axle may be Bolt style or Threaded Rod style (D). **Threaded Rod style** will have a Washer (F) and Lock Nut (G) on both ends. **Bolt Style** will have a larger Washer (C) under the head of the Bolt.

1. Insert a Bushing (B) in both Wheel Axle Holes. **Ensure Bushing is fully seated in the wheel. (Bushings may be pre-installed)**
2. Position Wheel (A) with inset graphic facing outwards.
3. **If Threaded Axle Rod style (1):** Place a Washer (F) and Lock Nut (G) on one end of Axle Rod (D). Insert Axle Rod through Frame (E).
4. **If Bolt style (2):** Place larger Washer (C) onto Axle Bolt (D) and insert Axle Bolt through Frame (E).
5. Place Wheel/Bushing assembly over end of Axle (D) making sure Bushings (B) do not come loose.
6. Install Washer (F) and Lock Nut (G) onto Axle.
7. Tighten Lock Nut(s) securely. **See Torque Chart for recommended torque.**
8. Repeat steps for opposite side wheel.

WARNING:

- Ensure Axle Bolt Threads are fully through the Lock Nuts.
- Ensure Wheels spin freely and evenly and are not loose side to side.

Installing Seat



SEAT:

1. Place Seat (A) over Frame Seat Holes (B) (adjust Seat for proper fit).
2. Insert Washers (C) and Seat Bolts (D) through Seat and Frame Seat Holes.
3. Tighten Seat Bolts securely using supplied wrench. Do not over tighten. This may damage the seat.

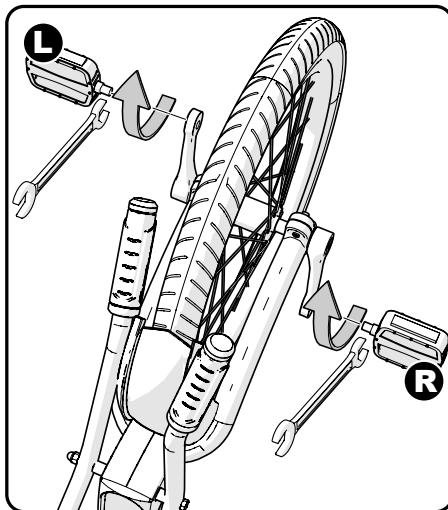
NOTES:

- Check Seat Bolt tightness before each ride.
- Retain tools for later adjustment.

Installing Pedals

1. Install the pedal marked "R" (Right) on the right side. Tighten clockwise as shown.
2. Install pedal marked "L" (Left) on the left side. Tighten counterclockwise as shown.
3. Make sure threads of each pedal are fully into crank arm.
4. Tighten securely.

NOTE: See Torque Table for recommended torque.





WARNING:

- Inspect the model frequently. Failure to inspect the model and to make repairs or adjustments, as necessary, can result in injury to the rider or to others. Make sure all parts are correctly assembled and adjusted as written in this manual and any “Special Instructions”.
- Immediately replace any damaged, missing, or badly worn parts.
- Make sure all fasteners are correctly tightened as written in this manual and any “Special Instructions”. Parts that are not tight enough can be lost or operate poorly. Over tightened parts can be damaged. Make sure any replacement fasteners are the correct size and type.

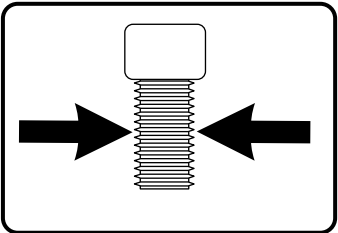
NOTE: Have a bike service shop make any repairs or adjustments for which you do not have the correct tools or if the instructions in this manual or any “Special Instructions” are not sufficient for you.

Torque Chart

Recommended Torque:

Use of a torque wrench is recommended. Recommended torque for each fastener is listed below. In addition to tightening to the recommended torque, please ensure the parts of the product are sufficiently tightened by performing the functional tests (in the component assembly sections of the owner's manual) on each component as it is tightened.

NOTE: Please check that all fasteners on the product are torqued according to the table below:

Recommended Torque for clean, dry threads:		How to Measure:
Fastener Size	Torque (ft-lb / N•m)	Screw or bolt size is determined by the width at the THREADS as shown.
.157 in (4 mm)	3.1 ft-lbs (4.2 N•m)	
.196 in (5 mm)	5 ft-lbs (6.8 N•m)	
.236 in (6 mm)	7 ft-lb (9.5 N•m)	
.275 in (7 mm)	12 ft-lbs (16.3 N•m)	
.314 in (8 mm)	17 ft-lbs (23 N•m)	
.393 in (10 mm)	33 ft-lbs (44.7 N•m)	
Pedals	24 ft-lbs (30 N•m)	

Tires

Maintenance:

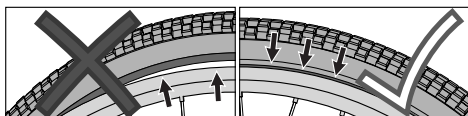
- Frequently check the tire inflation pressure because all tires lose air slowly over time. For extended storage, keep the weight of the model off the tires.
- Do not use unregulated air hoses to inflate the inner tubes. An unregulated hose can suddenly over inflate model tires and cause them to burst.
- Replace worn tires.

! WARNING: Do not ride or sit on the model if a tire is under inflated. This can damage the tire and inner tube.

Inflating the Tires:

- Use a hand or a foot pump to inflate the tires.
- Service station meter-regulated air hoses are also acceptable.
- The maximum inflation pressure is shown on the tire sidewall.
- If two inflation pressures are on the tire sidewall, use the higher pressure for on-road riding and the lower pressure for off-road riding.
- The lower pressure will provide better tire traction and a more comfortable ride.

Before adding air to any tire, make sure the edge of the tire (the bead) is the same distance from the rim, all around the rim, on both sides of the tire. If the tire does not appear to be seated correctly, release air from the inner tube until you can push the bead of the tire into the rim where necessary. Add air slowly and stop frequently to check the tire seating and the pressure, until you reach the correct inflation pressure.



Tire Pressure Table

Recommended Tire Pressure (kilopascals):

Frequently check the tire inflation pressure because all tires lose air slowly over time. For extended storage, keep the weight of the product off the tires.

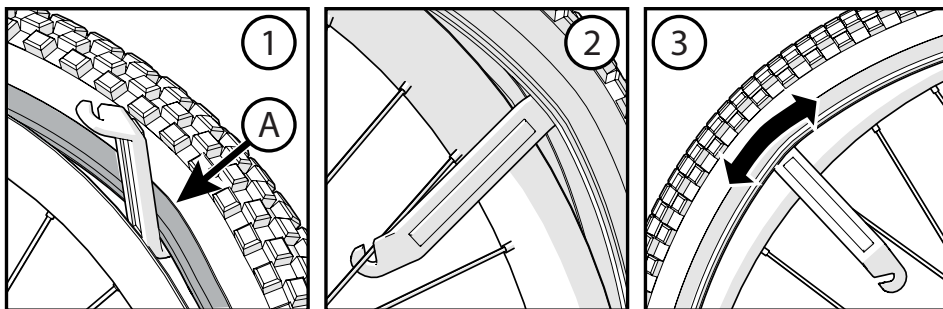
Recommended tire pressure is marked on the side of the tire. Conversion from PSI to Kilopascals is shown here.

Tire Pressure: (PSI to Kpa Conversion)

PSI	Kpa
20	140
30	210
40	275
50	345
60	415

Tire and Tube Replacement

STEP 1 - Remove Existing Tire and Tube:

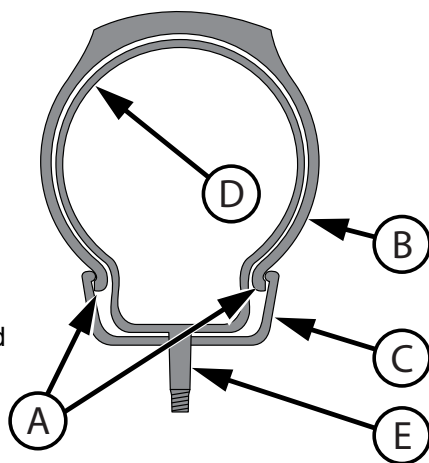


Steps (start opposite Filler Valve):

1. Insert a Tire Lever under Tire Bead (A).
2. Hook end of Tire Lever on a spoke.
3. Insert second Tire Lever and slide along rim to remove tire bead.
4. Remove Inner Tube and Tire.
5. Inspect for cause of flat and remove any foreign object from the tire if necessary.

STEP 2 - Installing New Tire and Tube:

1. Using your hands, start with one Bead (A) of Tire (B) and install it all the way around Rim (C).
2. Insert a slightly inflated Inner Tube (D) into the Tire and make sure the Valve Stem (E) is straight and aligned with the Rim Hole.
3. Work the second Tire Bead onto the Rim all the way around. This will take a little more effort than the first Tire Bead did. Use Tire Lever Tools if needed.
4. **Make sure the Tube does not get pinched between Rim and Tire.**
5. Inflate Tire just enough that it takes shape.
6. Double check that both Tire Beads are seated properly and that the Valve Stem is pointing straight out.
7. Fully inflate tube to recommended pressure listed on Tire side wall - **do not over-inflate.**
8. Install Valve Cap.



Lubrication



WARNING:

- Do not over lubricate. If oil gets on the wheel rims or the brake shoes, it will reduce brake performance and a longer distance to stop the model will be necessary. Injury to the rider or to others can occur.
- Keep all oil off the surfaces of the pedals where your feet rest.
- Using soap and hot water, wash all oil off the wheels, the pedals, and the tires.
- Rinse with clean water and dry completely before you ride the model.
- Using a light machine oil (20W), lubricate the model according to the following table:

Lubrication Table

What	When	How
Pedals	every six months	Put four drops of oil where the axles go into the pedals.

Inspection of the Bearings

Maintenance

Frequently check the bearings of the model. Lubricate or have a bicycle service shop lubricate the bearings once a year or any time the front wheel does not spin freely and easily.

Wheel Bearings

Lift the front wheel off the ground and slowly spin the wheel by hand. The bearings are correctly adjusted if:

- The wheel spins freely and easily.
- There is no side-to-side movement at the wheel rim when you push it to the side with light force.

Limited Warranty

General:

- Part or model specifications are subject to change without notice.
- This Limited Warranty is the only warranty for this product. There are no other expressed or implied warranties.
- This Limited Warranty extends only to the original consumer and is not transferable to anyone else.
- Warranty registration is not required.
- The only uses for this product are described in this manual.

What does this Limited Warranty cover?

This Limited Warranty covers all parts of the product except those indicated below as not warranted.

What must you do to keep the Limited Warranty in effect?

This Limited Warranty is effective only if:

- Product is completely and correctly assembled.
- Product is used under normal conditions for its intended purpose (see the following section for excluded activities).
- Product receives all necessary maintenance and adjustments.
- Product is used for general transportation and recreational use only.

What is not covered by this Limited Warranty?

- This Limited Warranty does not cover normal wear and tear, normal maintenance items, or any damage, failure, or loss that is caused by improper assembly, maintenance, adjustment, storage, or use of the Product.

This Limited Warranty will be void if the unit is ever:

- Used in any competitive sport
- Used for stunt riding, jumping, aerobatics or similar activity
- Modified in any way
- Modified with the addition of a motor
- Ridden by more than one person at a time
- Rented, sold, or given away
- Used in a manner contrary to the instructions and warnings in this Owner's Manual

Huffy will not be liable for incidental or consequential loss or damage, due directly or indirectly from use of this product. Some states do not allow the exclusion or limitation of incidental or consequential damages, so the above limitation may not apply to you.

Limited Warranty -continued

What rights do you have?

This warranty gives you specific legal rights. You may also have other rights which vary from state to state.

What will Huffy do?

Huffy will replace, without charge to you, the component found to be defective by Huffy.

CONTACTING CUSTOMER SERVICE:

How do you report a problem with this product or submit a warranty claim?

- Contact Consumer Service - See included list for Customer Contact information.

IN AUSTRALIA:

- Contact Customer Service for Australia or New Zealand. Warranty claims can be submitted to Huffy c/o Hunter Products Pty., Ltd., Level 2, 424 Warrigal Road, Moorabbin, Victoria 3189 Australia.

The following text is incorporated into this Limited Warranty if this product was purchased in Australia (but it is not incorporated if such product was purchased in New Zealand):

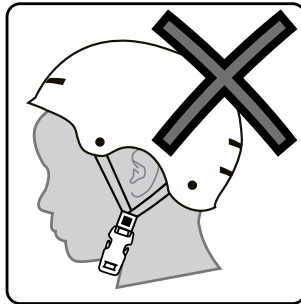
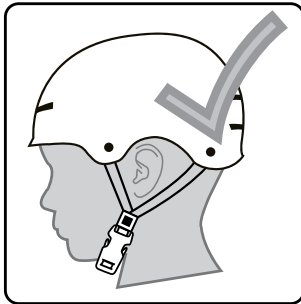
- Our goods come with guarantees that cannot be excluded under the Australian Consumer Law. You are entitled to a replacement or refund for a major failure and for compensation for any other reasonably foreseeable loss or damage. You are also entitled to have the goods repaired or replaced if the goods fail to be of acceptable quality and the failure does not amount to a major failure.

How long does this Limited Warranty Last?

- Warranty is from date of purchase.
- Frame and all components are warranted for six (6) months.
- Resin wheels are not warranted.



WARNING: **ALWAYS WEAR YOUR HELMET** **WHEN RIDING THIS PRODUCT!**



- Helmet should sit level on your head and low on your forehead
- Adjust the strap sliders below the ear on both sides.
- Buckle the chin strap. Adjust strap until it is snug.
- No more than two fingers should fit between the strap and your chin.
- A proper fitting helmet should be comfortable and not rock forward/backward or side to side.
- Always read the user manual that comes with your helmet to make sure it is fitted and attached properly to the wearer's head according to the fitting instructions described in the user manual.

Check
www.Huffybikes.com/contact
for the current contact information

HUFFY