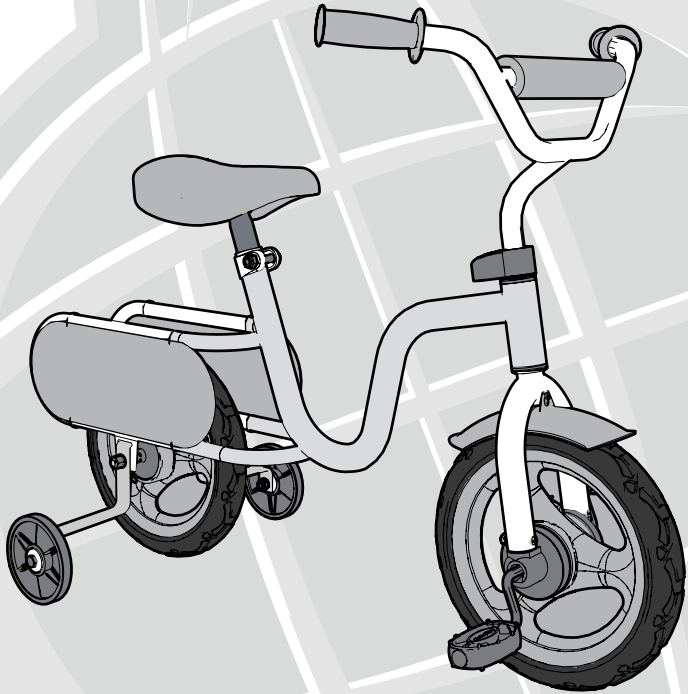




Owner's Manual

Classic Trike



**THIS MANUAL CONTAINS IMPORTANT SAFETY, ASSEMBLY,
OPERATION AND MAINTENANCE INFORMATION.**

**PLEASE READ AND FULLY UNDERSTAND THIS MANUAL BEFORE
OPERATION.**

SAVE THIS MANUAL FOR FUTURE REFERENCE.



See back page for Customer Service Information
Consulte el reverso para Servicio de Información al Cliente
Voir pages verso pour des renseignements le service à la clientèle

Manual Index

• Tools Needed.....	2
• Safety and Warning Information	2-3
• Trike Assembly	4-7
• Parts List.....	8
• Maintenance / Torque Chart	9
• Warranty	10
• Helmet Warning (Contact info on back cover).....	11

Tools Needed



Small Adjustable Wrench

(Jaws must open at least 9/16 inch.)



Open-end Wrenches

NOTE: Some models have accessories: Install the accessories (plaque, bell, pad, streamers – if equipped) onto the handlebar to complete the assembly.



WARNING TO AVOID SERIOUS INJURY:

Product Specific Warnings:


- This product should only be used by persons 3 years and up.
- Maximum rider weight for this product is 27kg. (60 lbs).
- Do not allow a child to ride in the rear plastic bin (if equipped).
- Maximum weight for the front or rear plastic bin is 2.3kg. (5 lbs) (if equipped).

If you have any questions regarding the operation of this product, please refer to this owners manual or call Customer Service
- see Consumer Service contact info.

ADDITIONAL SAFETY AND WARNING INFORMATION >>

Safety and Warning Information

This product, like all wheeled vehicles, will provide safe, enjoyable transportation and recreation when used and maintained properly. Like bicycling, skateboarding, and in-line skating, riding this product can be dangerous even under the best of circumstances. We do not want you to get hurt. Please follow these safety rules.

 This symbol is important. It is the WARNING symbol. The warning symbol precedes safety instructions. Make sure the child understands these instructions. Failure to follow these instructions may result in injury to the rider or to others, or damage to the product.

WARNING TO AVOID SERIOUS INJURY:

- Adult assembly required.
- **CHOKING HAZARD:** Small parts. Not for children under 3 years.
 - Keep small loose parts and plastic bags out of the reach of children.
 - Not suitable for children under 3 years as foam pieces may break off and pose a choking hazard. Keep small children away when assembling.
- An adult must unfold and fold this product (as equipped).
- Continuous adult supervision required.
- Never use near motor vehicles.
- Never ride with more than one person.
- Excessive weight may cause a hazardous or unstable condition.
- Protective equipment should be worn. Do not allow a child to ride without a CPSC approved helmet, with the chinstrap securely fastened. Always wear shoes when using this product.
- Not to be use in traffic.
- Do not allow a child to ride the product at dusk, at night or at times of limited visibility.
- Do not allow a child to ride on roadways or alleys.
- Do not allow a child to ride off road, on grass or wet surfaces.
- Never use near streets, swimming pools (or other bodies of water), hills, steps, or sloped driveways.
- For use on smooth paved surfaces only.
- Understand all operating procedures before use.
- Do not tow or pull any objects with the product.
- Do not push or pull a child riding on the product.
- Use with caution, since skill is required to avoid falls or collisions causing injury to the user or third parties.
- Always comply with local laws and regulations.
- If anything does not operate properly, discontinue use.
- Replace worn or broken parts immediately with genuine replacement parts.
- Handlebar hand grip or tube end plugs should be replaced if damaged as bare tubes have been known to cause injury. All products with capped handlebar ends should be checked regularly to ensure that adequate protection for the ends of the handlebars are in place.

Assemble Rear Frame and Wheels

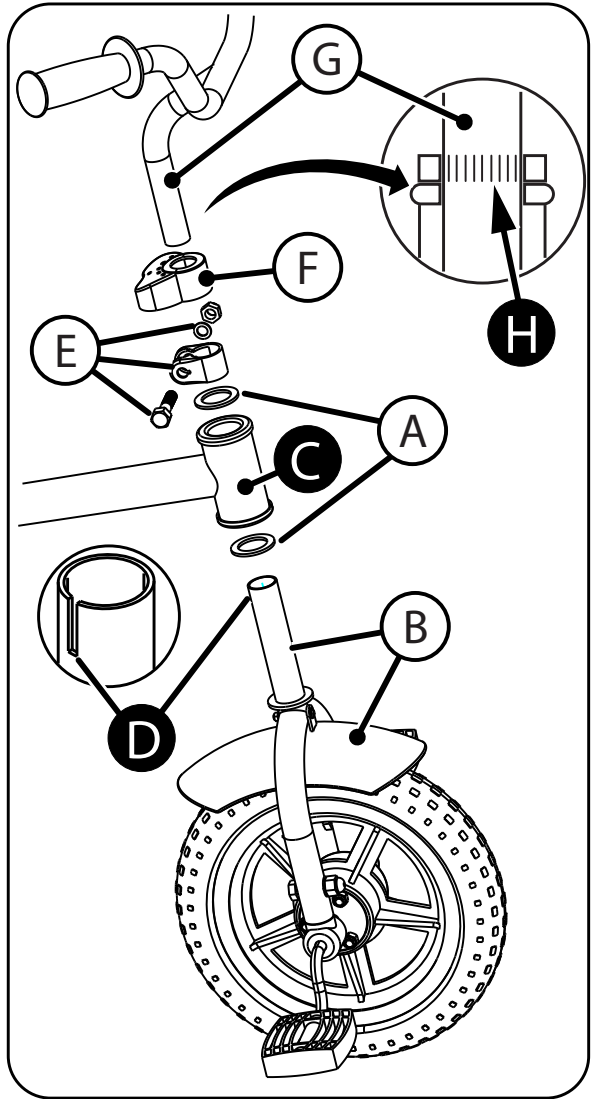
Assembly

Handlebar and Front Wheel:

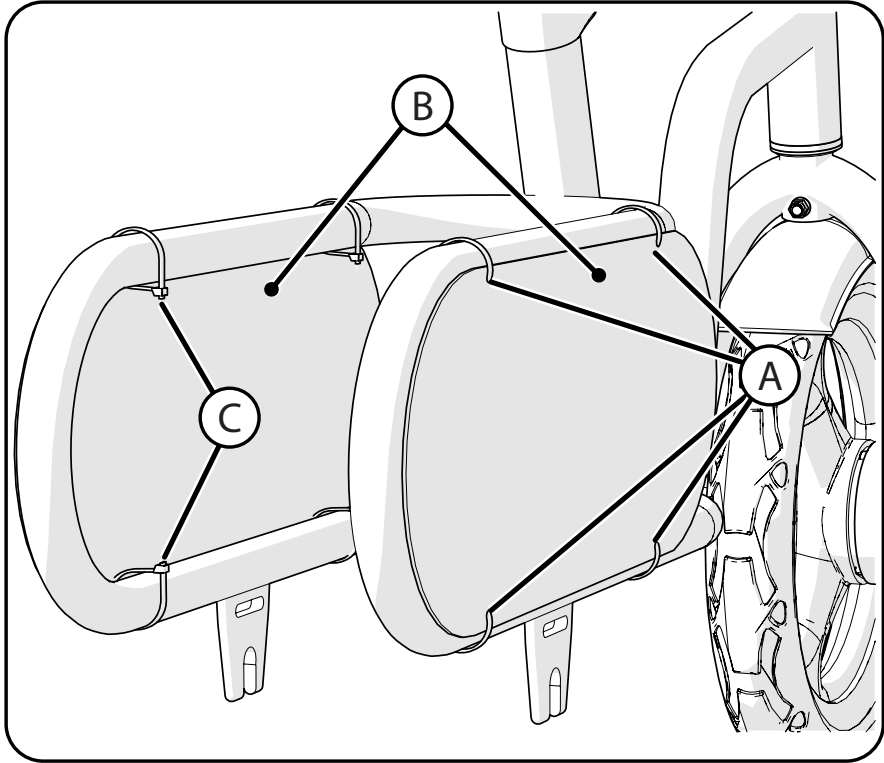
1. Place a Spacer (A) onto the Fork Tube (B).
2. Insert the Fork Tube through the Head Tube (C) from bottom.
3. Orient the Slot (D) in the top Fork Tube toward the rear of the unit.
4. Place other Spacer (A), then the Clamp Assembly (E) onto the Fork Tube with the open end of the Clamp in-line with the slot in the Fork Tube.
5. Slide the Clamp Cover (F) as far up the Handlebar (G) as possible.
6. Insert the Handlebar into the Fork Tube.

WARNING: Ensure that the Minimum Insertion Mark (H) on the stem tube is not visible - below the top of the Fork Tube.

7. Align the Handlebar so that it is perpendicular with the front wheel.
8. Secure the Handlebar in the Fork Tube by tightening the Clamp (E) Bolt securely (**See torque table for recommended torque**).
9. Check that the Clamp is tight enough so that the Handlebar will not rotate inside of the Fork Tube.
10. Slide the Clamp Cover (F) over the Clamp.
11. Install the accessories (bell, pad, streamers – if equipped) onto the handlebar.



Installing the Side Panels



STEPS:

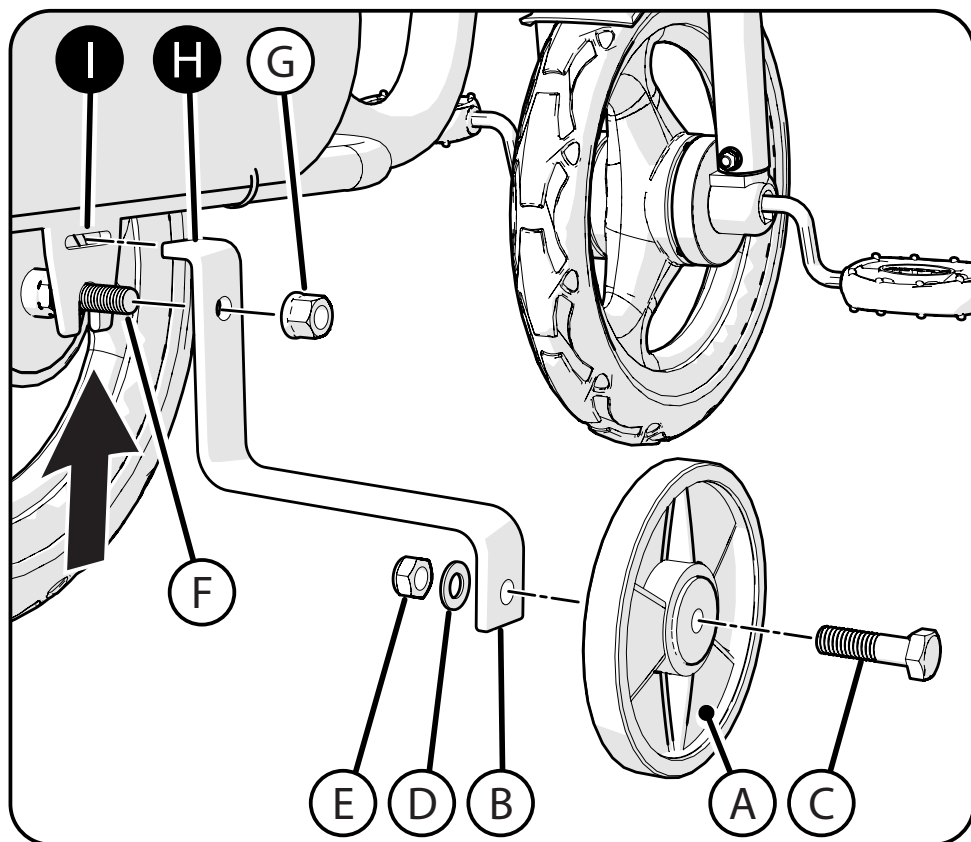
1. Using the supplied zip-ties (A), attach Side Panels (B) as shown with 4 zip-ties each side.

NOTE: zip-ties cannot be re-used. Position correctly as shown before inserting end through lock-head.

WARNING: Sharp cut zip-ties ends can cause injury to child. Position zip-ties as shown so ends (C) are not reachable by child.

2. Cut zip-ties ends as short as possible (C) and rotate up under frame tubing.

Installing the Rear Wheel and Training Wheels



NOTE: See torque table for recommended torques.

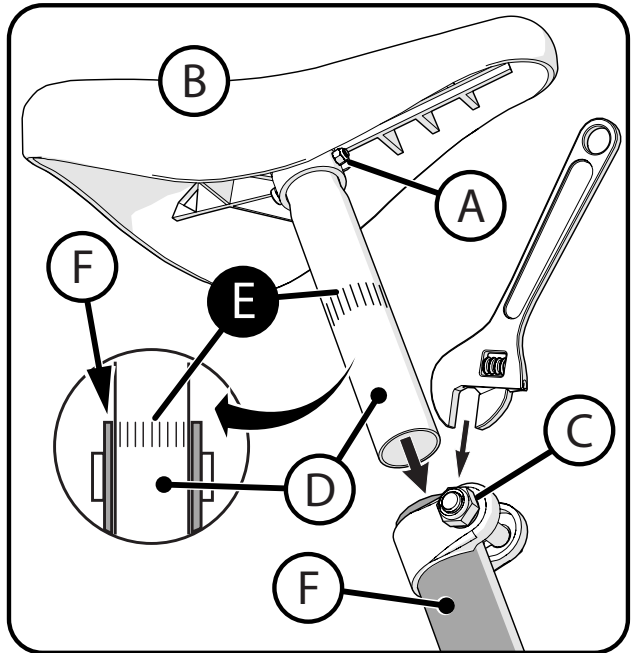
1. Attach Training Wheel (A) to Stabilizer (B) by installing Bolt (C) through Wheel, Stabilizer, Washer (D) and Locknut (E). Tighten securely.
 - Repeat for other Stabilizer.
2. Make sure Rear Wheel Axle (F) is fully inserted into Frame.
3. If Axle Nut (G) and wheel are pre-installed, remove Axle Nut.
4. Place upper end of Stabilizer (H) into Frame Slot (I) and onto Axle.
5. With rear Wheel fully inserted into Frame, install Axle Nut securely.
6. Repeat for opposite side.

NOTE: The wheel stabilizers are not intended to be removed. The product will be difficult to ride without them.

Installing the Seat Post Assembly

Seat to Seat Post (Single Bolt Style): Some models are equipped with a seat and seat post assembly that uses a Single Bolt and Nut (A) to secure the Seat (B) to the seat post. The seat is assembled to the seat post at the factory.

Ensure the Seat is secure to the Seat Post and the seat bolt is tightened. (See torque table for recommended torque)

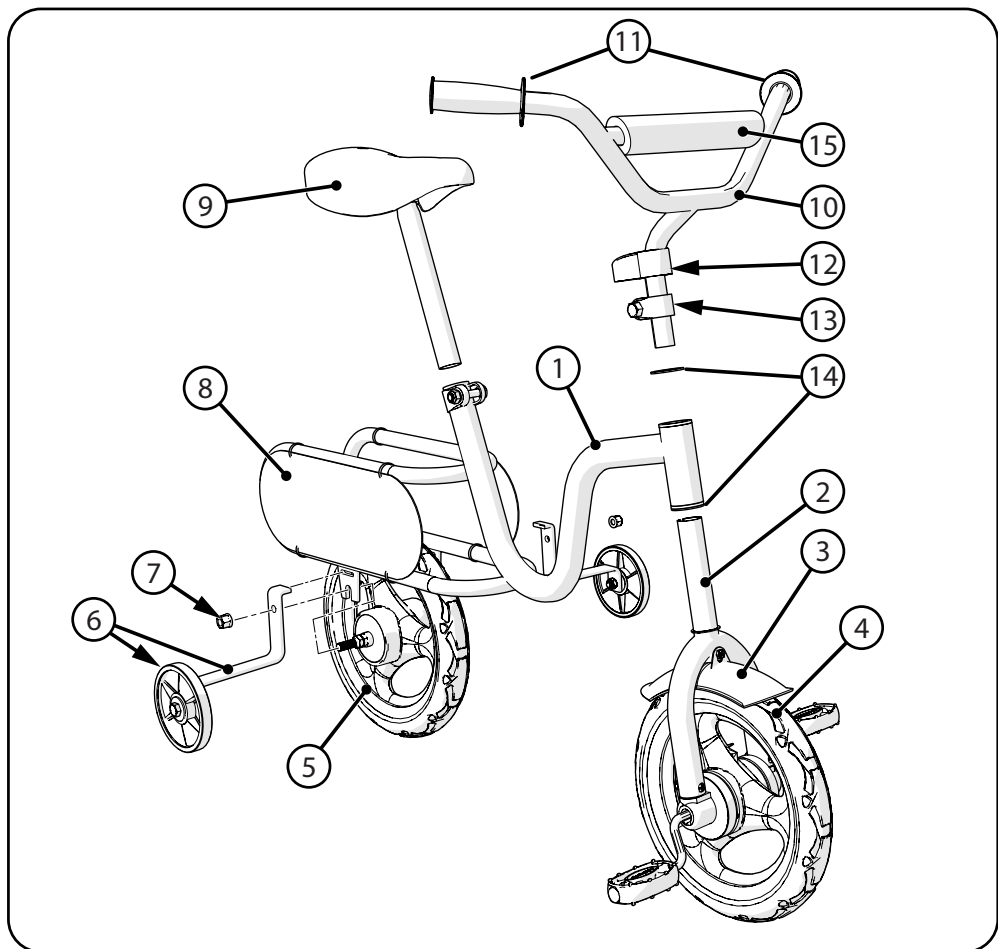


INSTALL STEPS:

- If needed, loosen Clamp Nut (C) enough to insert the Seat Post (D).
- Point the seat forward and insert Seat Post to the Minimum Insertion marks (E).
- Tighten Clamp Nut (C) securely so it supports the rider without moving. (See torque table for recommended torque)

WARNING: To prevent the seat coming loose and possible loss of control, the “MIN-IN” (minimum insertion) mark (E) on the Seat Post MUST be **below** the top of the Seat Tube (F).

Parts List



#	Description	#	Description
1	Frame	10	Handlebar
2	Fork	11	Grips (x2)
3	Fender	12	Clamp Cover
4	Front Wheel Assembly	13	Handlebar Clamp
5	Rear Wheel Assembly	14	Bushing/Spacers
6	Training Wheel Set	15	Pad/Bag/Plaque
7	Axle Nuts (x2)		
8	Side Panels (x2)		
9	Seat/Post Assembly		



WARNING:

- Inspect the product frequently. Failure to inspect the product and to make repairs or adjustments, as necessary, can result in injury to the rider or to others. Make sure all parts are correctly assembled and adjusted as written in this manual and any “Special Instructions”.
- Immediately replace any damaged, missing, or badly worn parts with original equipment.
- Make sure all fasteners are correctly tightened as written in this manual and any “Special Instructions”. Parts that are not tight enough can be lost or operate poorly. Over tightened parts can be damaged. Make sure any replacement fasteners are the correct size and type.

NOTE: Have a bicycle service shop make any repairs or adjustments for which you do not have the correct tools or if the instructions in this manual or any “Special Instructions” are not sufficient for you.

Limited Warranty

General:

- Part or model specifications are subject to change without notice.
- This Limited Warranty is the only warranty for this product. There are no other expressed or implied warranties.
- This Limited Warranty extends only to the original consumer and is not transferable to anyone else.
- Warranty registration is not required.
- The only uses for this product are described in this manual.

What does this Limited Warranty cover? This Limited Warranty covers all parts of the product except those indicated below as not warranted.

What must you do to keep the Limited Warranty in effect?

This Limited Warranty is effective only if:

- Product is completely and correctly assembled.
- Product is used under normal conditions for its intended purpose (see the following section for excluded activities).
- Product receives all necessary maintenance and adjustments.
- Product is used for general transportation and recreational use only.

What is not covered by this Limited Warranty?

- This Limited Warranty does not cover normal wear and tear, normal maintenance items, or any damage, failure, or loss that is caused by improper assembly, maintenance, adjustment, storage, or use of the Product.

This Limited Warranty will be void if the unit is ever:

- Used in any competitive sport
- Used for stunt riding, jumping, aerobatics or similar activity
- Modified in any way
- Modified with the addition of a motor
- Ridden by more than one person at a time
- Rented, sold, or given away
- Used in a manner contrary to the instructions and warnings in this Owner's Manual

indirectly from use of this product. Some states do not allow the exclusion or limitation of incidental or consequential damages, so the above limitation may not apply to you.

What rights do you have? This warranty gives you specific legal rights. You may also have other rights which vary from state to state.

What will Huffy do? Huffy will replace, without charge to you, the component found to be defective by Huffy.

CONTACTING CUSTOMER SERVICE:

How do you report a problem with this product or submit a warranty claim?

- Contact Customer Service - See included list for Customer Contact information or visit www.huffybikes.com/contact.

IN AUSTRALIA:

- Warranty claims can be submitted to; Hunter Products Pty Ltd - PH: 1800 224 094
Email: enquiries@hunterproducts.com.au - Level 2, 424 Warrigal Road, Moorabbin, Victoria 3189 Australia.

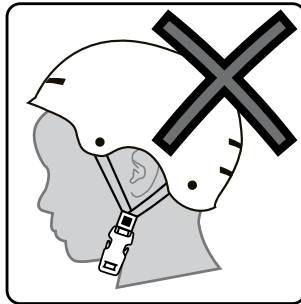
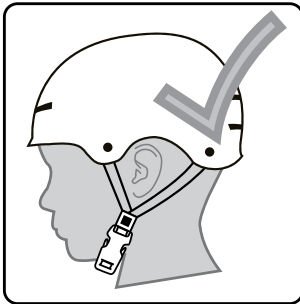
The following text is incorporated into this Limited Warranty if this product was purchased in Australia (but it is not incorporated if such product was purchased in New Zealand):

- Our goods come with guarantees that cannot be excluded under the Australian Consumer Law. You are entitled to a replacement or refund for a major failure and for compensation for any other reasonably foreseeable loss or damage. You are also entitled to have the goods repaired or replaced if the goods fail to be of acceptable quality and the failure does not amount to a major failure.

How long does this Limited Warranty Last?

All components are warranted for 6 months from the date of purchase. Electronics: 90 days.

WARNING: **ALWAYS WEAR YOUR HELMET** **WHEN RIDING THIS PRODUCT!**



- Helmet should sit level on your head and low on your forehead
- Adjust the strap sliders below the ear on both sides.
- Buckle the chin strap. Adjust strap until it is snug.
- No more than two fingers should fit between the strap and your chin.
- A proper fitting helmet should be comfortable and not rock forward/backward or side to side.
- Always read the user manual that comes with your helmet to make sure it is fitted and attached properly to the wearer's head according to the fitting instructions described in the user manual.

Check
www.Huffybikes.com/contact
for the current contact information



[In the US]
**PLEASE - BEFORE RETURNING TO STORE,
CONTACT HUFFY CUSTOMER SERVICE. WE
ARE GLAD TO ASSIST YOU WITH ANY PARTS
OR ASSEMBLY PROBLEMS YOU MIGHT
HAVE!**

For Fast Customer Service, go to:

<http://www.huffybikes.com/contact>

To Order Parts (US only), go to:

<http://www.huffybikes.com/parts>

OR TEL: 1 800 872 2453 (US only)

For email, go to <http://www.huffybikes.com/contact>

[CANADA]

**VEUILLEZ NOTER : AVANT DE
RETOURNER AU MAGASIN,
COMMUNIQUEZ AVEC LE SERVICE
À LA CLIENTÈLE DE HUFFY. NOUS
VOUS AIDERONS VOLONTIERS AVEC
TOUT PROBLÈME CONCERNANT LES
PIÈCES OU LE MONTAGE!**

Pour un Service à la clientèle rapide, allez sur le
site :

<http://www.huffybikes.com/contact>

To Order Parts (CANADA only), go to:

<http://www.huffybikes.com/parts>

OU appelez le 1 800 872 2453
(CANADA only)

Pour communiquer par courriel
huffycanada@huffy.com

[MÉXICO]

**ANTES DE DEVOLVER EL
PRODUCTO A LA TIENDA,
COMUNÍQUESE CON SERVICIO
AL CLIENTE DE HUFFY. NOS
COMPLACE AYUDARLO CON
CUALQUIER PARTE O PROBLEMA
DE ENSAMBLADO QUE PUDIERA
TENER.**

Para obtener Servicio al cliente rápido, visite:

<http://www.huffybikes.com/>

○ LLAME AL TEL: 01800 1483 391
(Mexico only)

Para comunicarse por correo electrónico:
servicio@huffymex.com

Check <http://www.huffybikes.com/home/globalcontact>
for the current contact information

<http://www.huffybikes.com/home/globalcontact>
para obtener la información de contacto actual

Vérifier <http://www.huffybikes.com/home/globalcontact>
pour les informations de contact actuelles