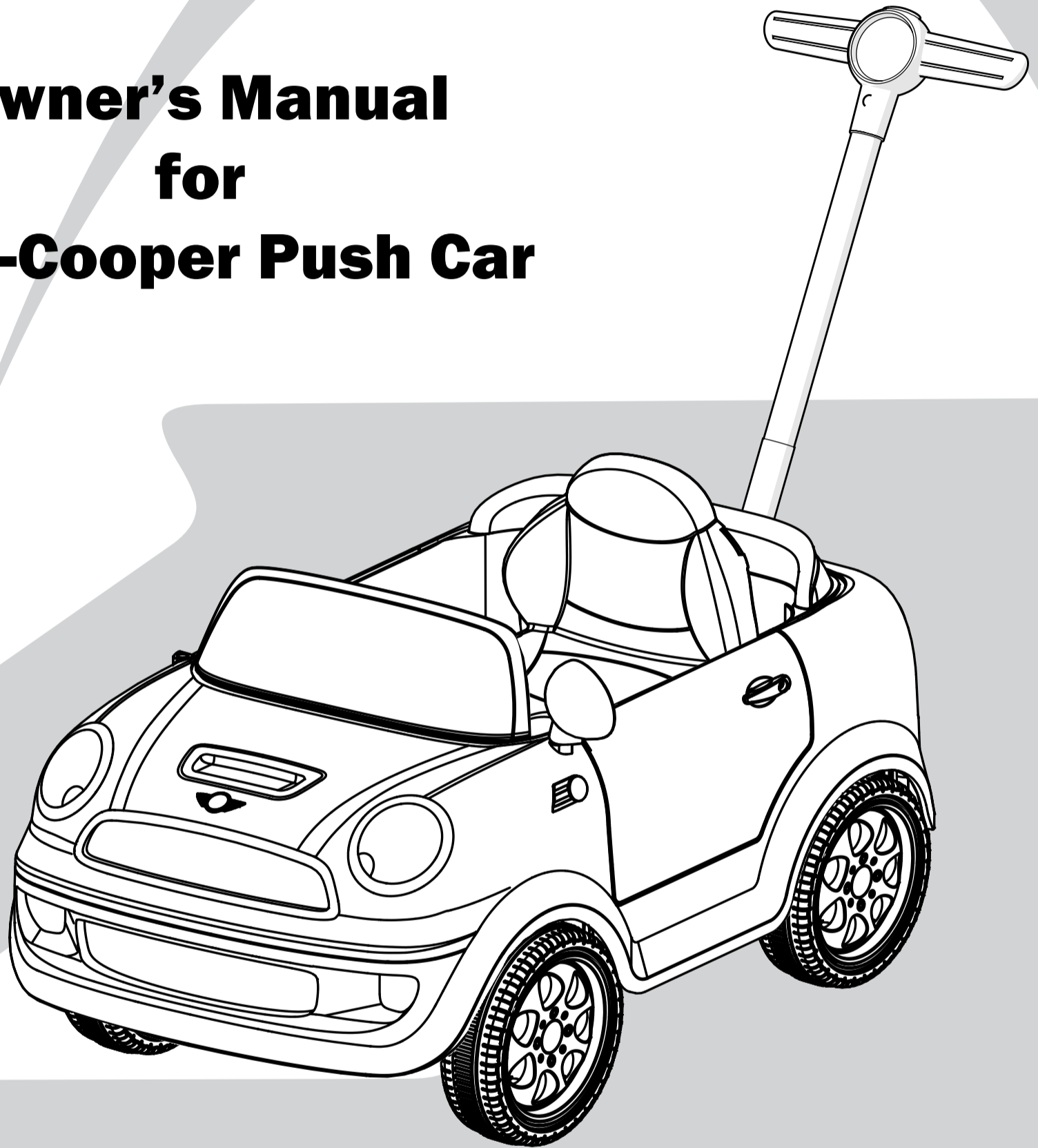


AVIGO

the road to fun

Owner's Manual for Mini-Cooper Push Car



This manual contains important safety, assembly, operation, and maintenance information.

Please read and fully understand this manual before operation.

Save this manual for future reference.

AVIGO is a mark of Geoffrey, LLC,
a subsidiary of Toys"R"Us, Inc.
© 2008 Geoffrey, LLC
Made in China
Distributed in the U.S. by
Toys"R"Us, Inc., Wayne, NJ 07470
Distributed in Australia by Toys"R"Us
(Australia) Pty Ltd., Regents Park NSW 2143
www.toysrus.com

apply Date Code
Label here

H-MC-Push EN 060215 **m0155**
Copyright Huffy Corporation 2015

Owner's Manual Index

Safety

- Tools Needed2
- Radio Frequency Information.....2
- User Requirements.....2
- Warnings.....2

Assembly

- Parts View3
- Unit Assembly 4-6

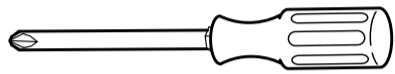
Operation

- Operation and Features6

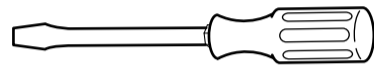
Warranty

- Limited Warranty7

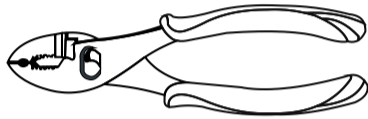
Tools Needed for Assembly:



Phillips Screwdriver



Straight-slot Screwdriver



Small Pliers

Radio Frequency Information

Caution: Changes or modifications not expressly approved by the party responsible for compliance could void the user's authority to operate the equipment.

NOTE: This equipment has been tested and found to comply with the limits for the Class B digital device, pursuant to Part 15 of the FCC Rules. These limits are designed to provide reasonable protection against harmful interference in a residential installation. This equipment generates uses and can radiate radio frequency energy and, if not installed and used in accordance with the instructions, may cause harmful interference to radio communications. However, there is no guarantee that interference will not occur in a particular installation. If this equipment does cause harmful interference to radio or television reception, which can be determined by turning the equipment off and on, the user is encouraged to try to correct the interference by one or more of the following measures:

- Reorient or relocate the receiving antenna.
- Increase the separation between the equipment and receiver.
- Connect the equipment into an outlet on a circuit different from that to which the receiver is connected.
- Consult the dealer or an experienced radio/TV technician for help.

⚠️ WARNINGS: Batteries

- Keep the unit from getting wet.
- Battery replacement is to be conducted by an adult.
- Do not mix old and new batteries.
- Do not mix alkaline, standard (carbon-zinc), or rechargeable (nickel-cadmium) batteries.
- Only use the batteries specified by the manufacturer that are of the same or equivalent type.
- Non-rechargeable batteries are not to be recharged.
- Rechargeable batteries are only to be charged under adult supervision.
- Rechargeable batteries are to be removed from the toy before being charged.
- Be sure to insert the batteries correctly and always follow the toy and battery manufacturer's instruction.
- Weak or exhausted batteries are to be removed from the toy.
- Do not short-circuit the supply terminal.
- Dispose of batteries properly. Do not dispose of batteries in fire, batteries may explode or leak. Check local regulations for proper battery disposal.

⚠️ WARNINGS and User Requirements

The user must follow all safety rules and guidelines below or serious injury or death may occur to the user. Always use common sense and safe practices when using the vehicle.

The suitable age range for a child using the vehicle is **2 to 4 years**.

The maximum weight on the unit is **43 lbs (19.5kgs)**.

The maximum weight on Push Bar is **25 lbs (11kgs)**.

DO NOT attach bags, purses or any other weight to the Push Bar Handle. This may tip over the vehicle.

Remove the Push Bar Handle when not in use.

- Before using the vehicle the child must understand the controls and safety issues.
- The child must demonstrate the capability to handle the vehicle and operate its controls.
- Child should always wear an approved helmet when using this product.

It is the responsibility of the adult to educate the child, determine if they are fit to operate the vehicle, and supervise use.

- An adult must always supervise a child that is using the vehicle in a safe, secure environment.
- Never leave child unattended.
- The vehicle shall be used with caution since skill is required to avoid falls or collisions.

- This product contains small assembly parts. Adult assembly only. Keep children away when assembling. Remove and dispose of all protective material and poly bags before assembly. Be sure to remove all packaging materials and parts from underneath the vehicle body.

- **This vehicle has no brakes.**

Here are some basic safe riding rules you should read aloud to your child and anyone who may use the vehicle:

DO:

- Always sit in the seat when using the vehicle.
- Only use on flat, smooth paved surfaces.
- Keep your hands, legs, hair, and clothing away from moving parts.
- Always wear shoes when using in the vehicle.
- To avoid serious injury from falling or sliding out - always use Seat Belt/Restraint System.
- Only use the Push Bar to push the vehicle.

DO NOT:

- wear loose clothing while using the vehicle.
- pull the vehicle with another vehicle or similar device or tow anything behind the vehicle.
- allow more than one rider or overload the vehicle or Push Bar.
- travel at an unsafe speed.
- drive up or down steep slopes.
- use the vehicle in unsafe conditions such as snow, rain, loose dirt, mud sand, or fine gravel. This may result in unexpected action such as tip over and skidding.
- use the vehicle on or near streets, motor vehicles, drop-offs such as: steps, water (swimming pools), sloped surfaces, hills, wet areas, flammable vapors, in alleys, at night, or in the dark. This may result in an accident.
- allow water or other liquids to come in contact with electric components.
- tamper with the electrical system. Doing so may create a short, causing damage to the unit.

Child Foot Tray:

When using the Push Bar to propel the vehicle, the foot tray must be extended (pushed toward the front of the vehicle) and the child's feet resting on the tray.

When the child is propelling the vehicle, the foot tray must be retracted (pulled toward rear) so the child's feet can reach the ground. If the child cannot reach the ground from the seated position – the foot tray must be extended.

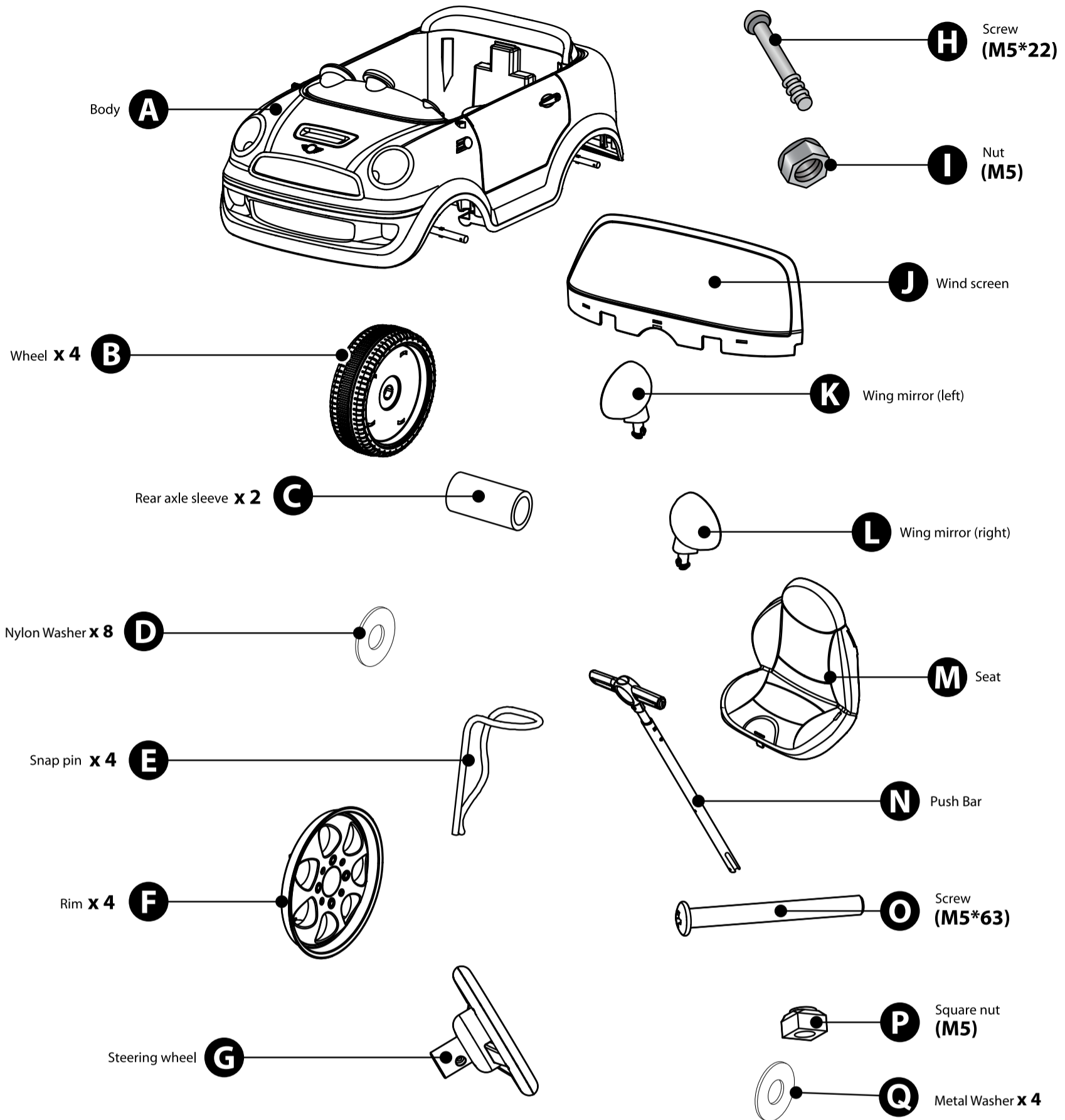
Remove or fully collapse the Push Bar when the child is propelling the vehicle.

Seat Belt / Restraint System:

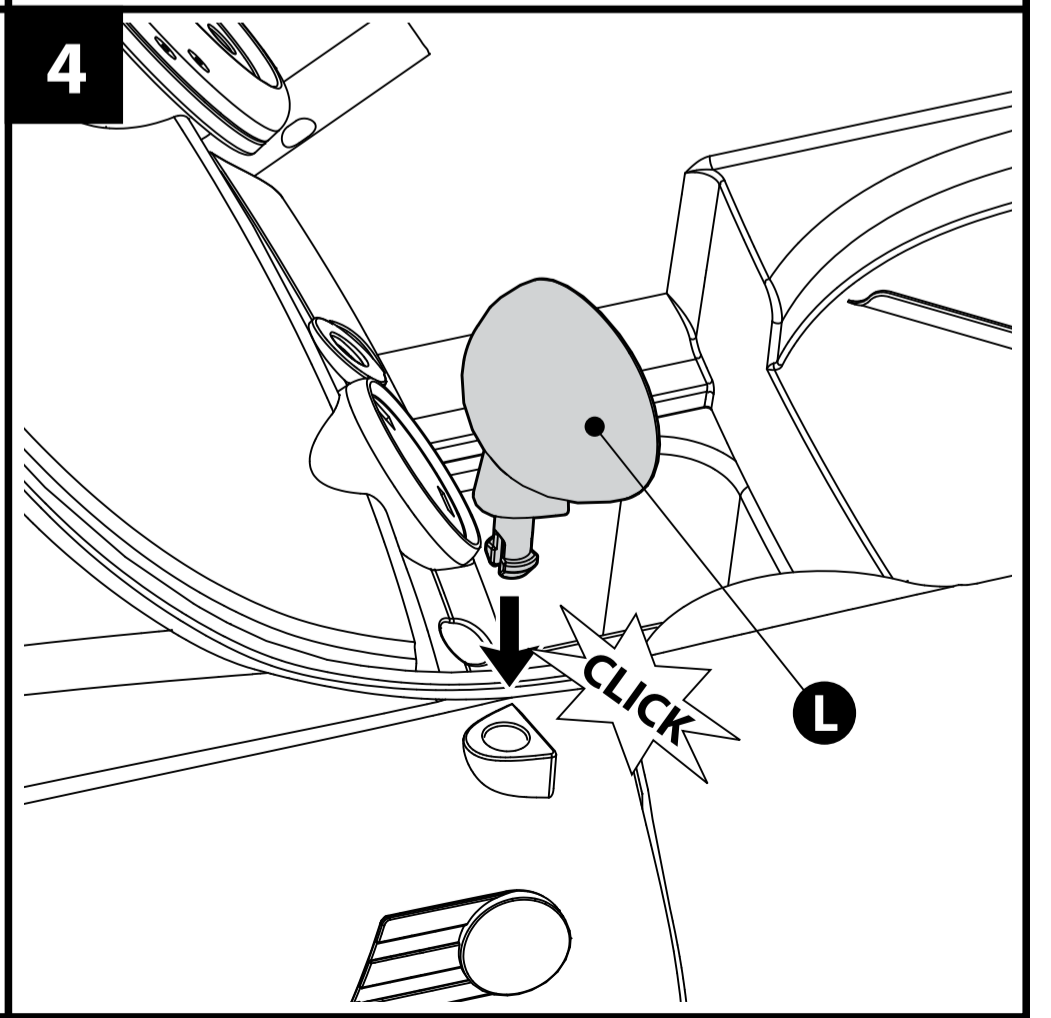
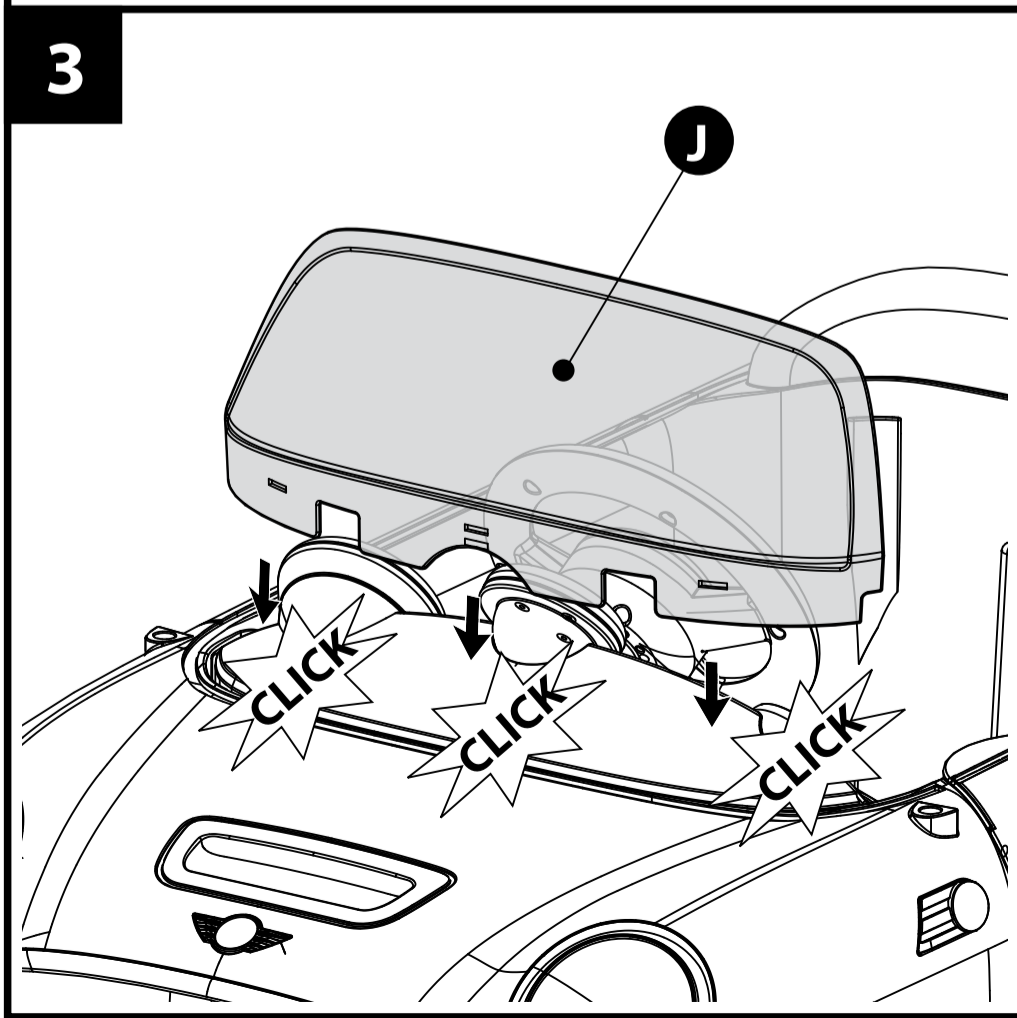
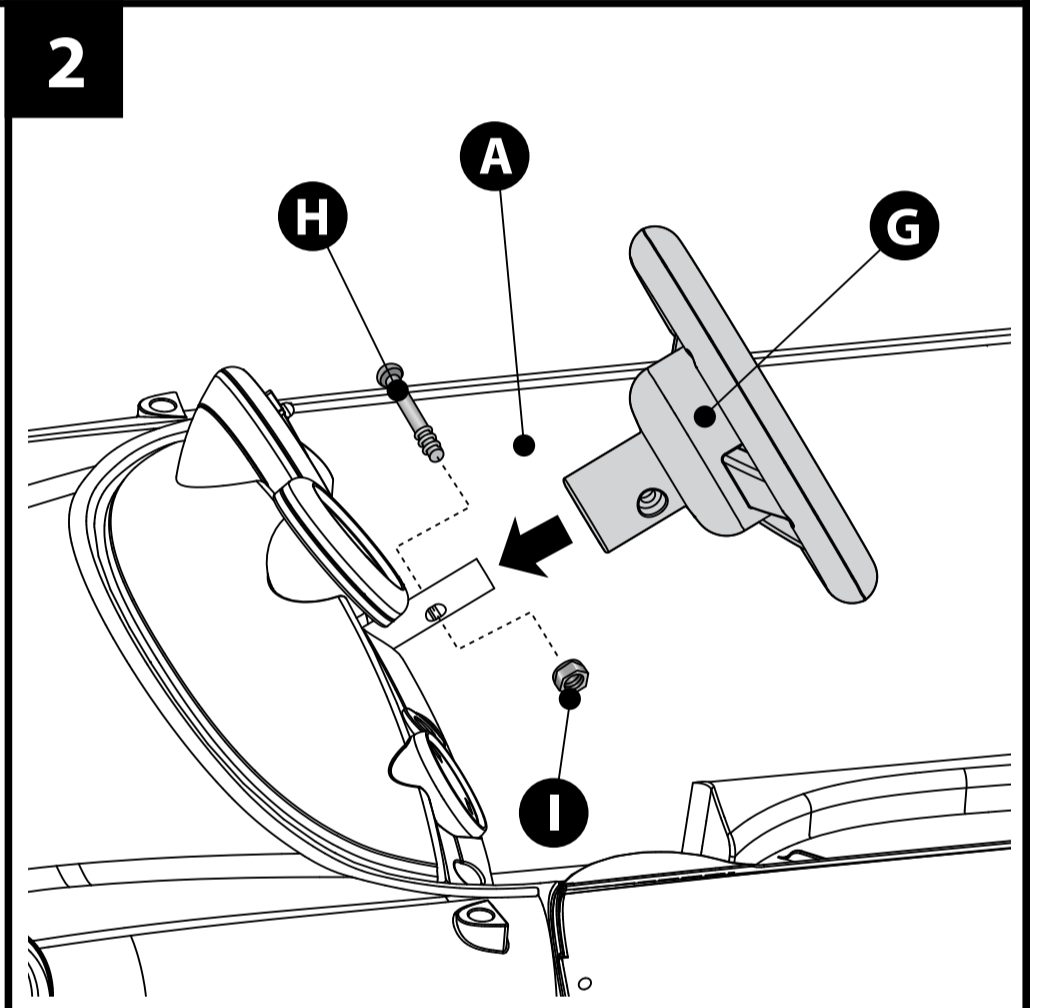
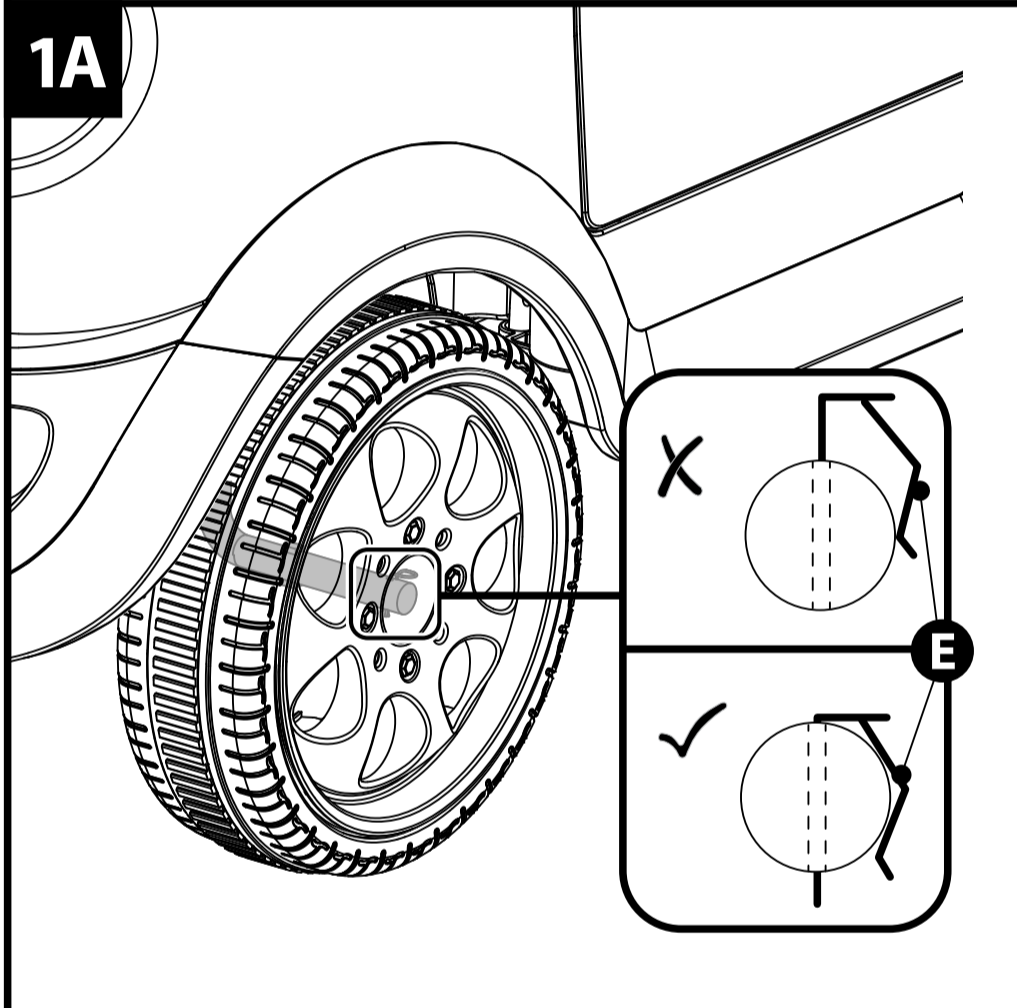
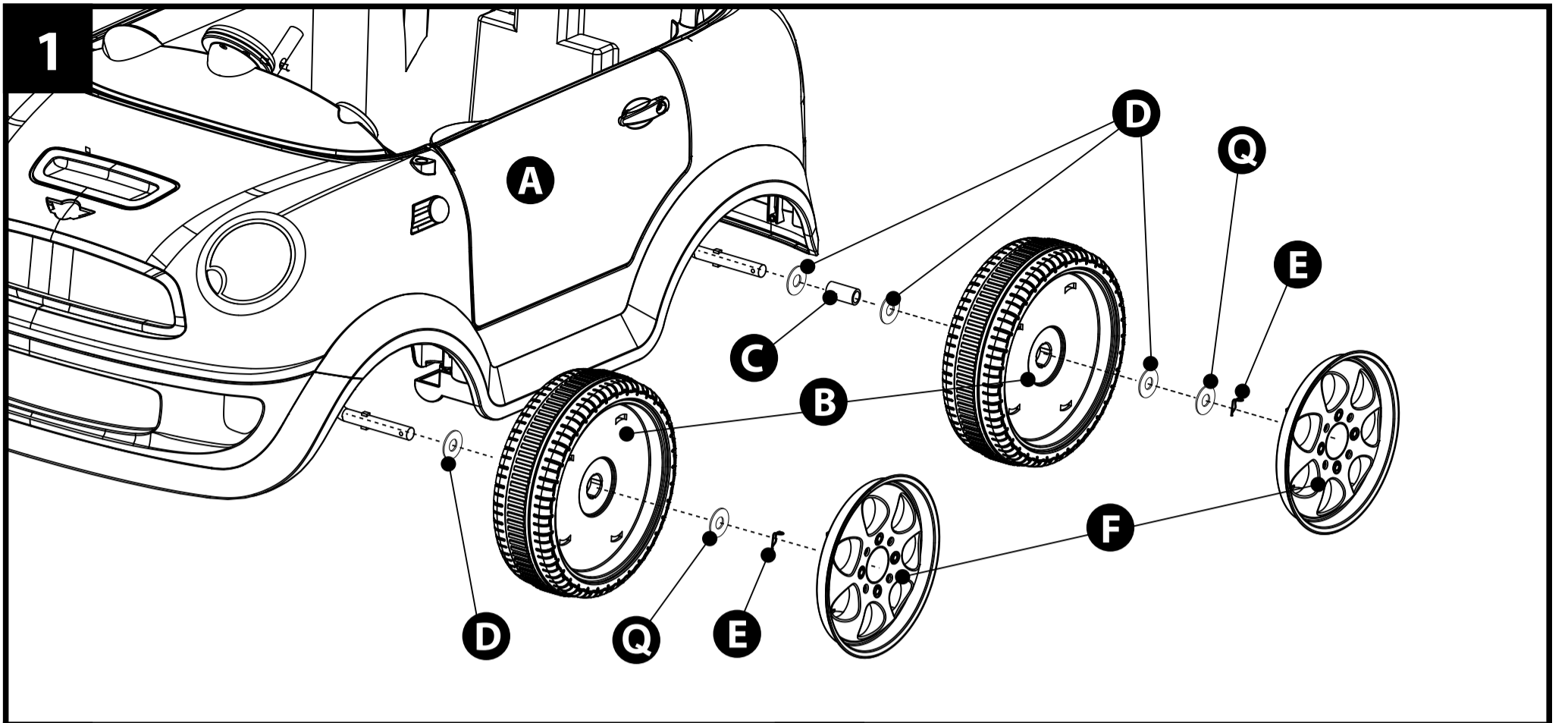
To avoid serious injury from falling or sliding out, ensure child is securely strapped in using the seat belt / restraining system.

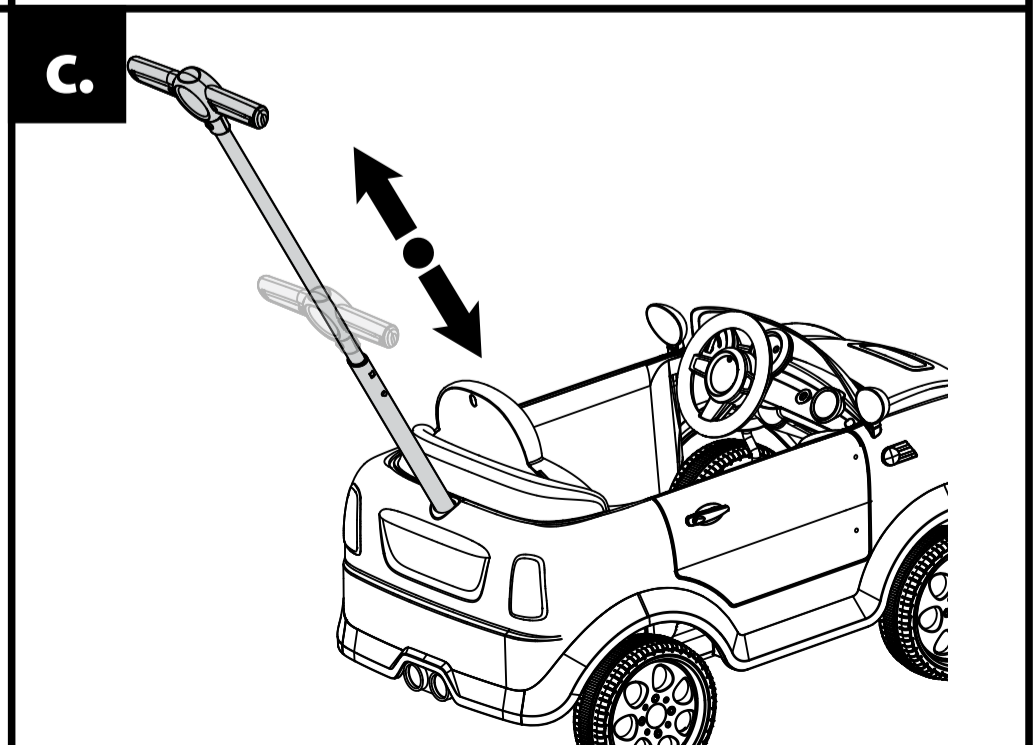
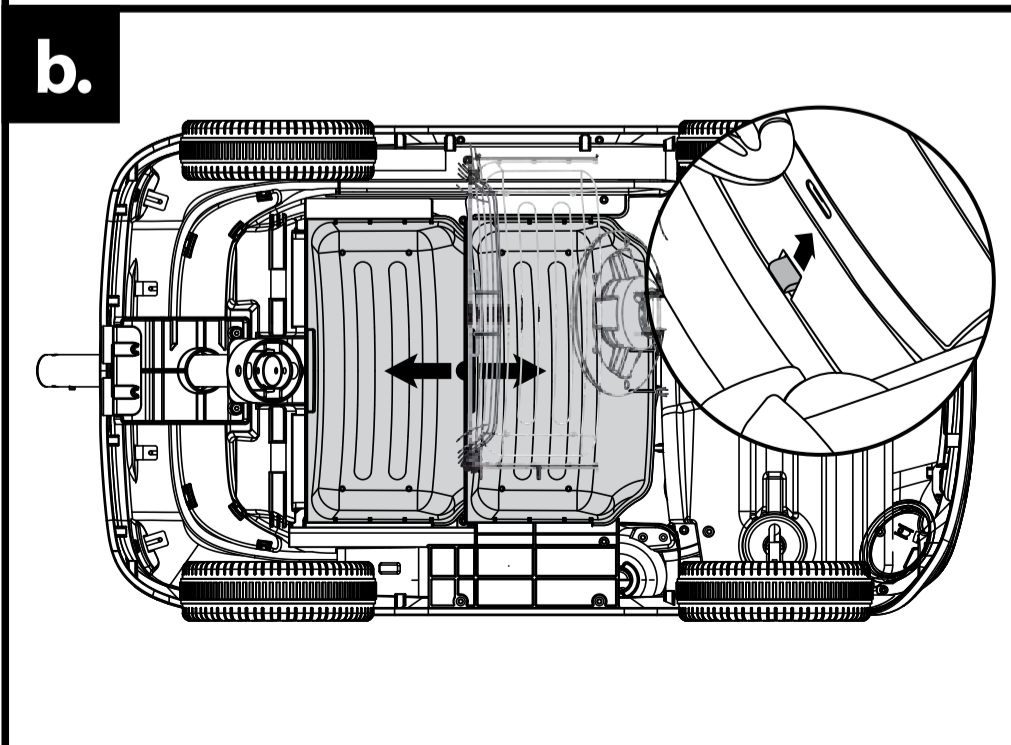
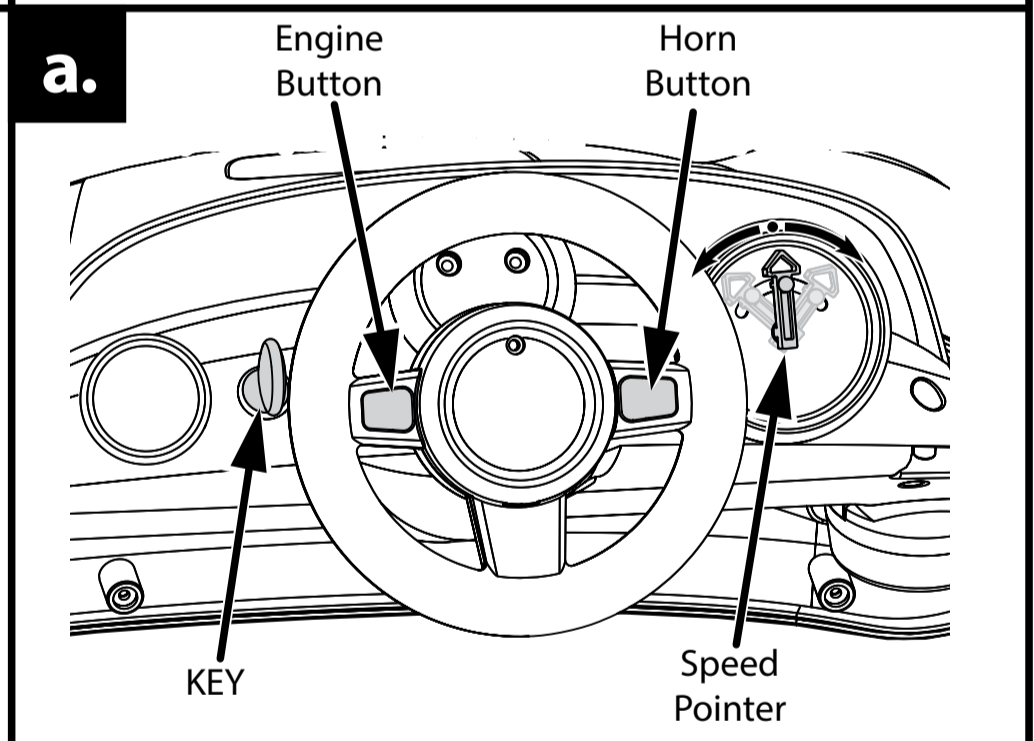
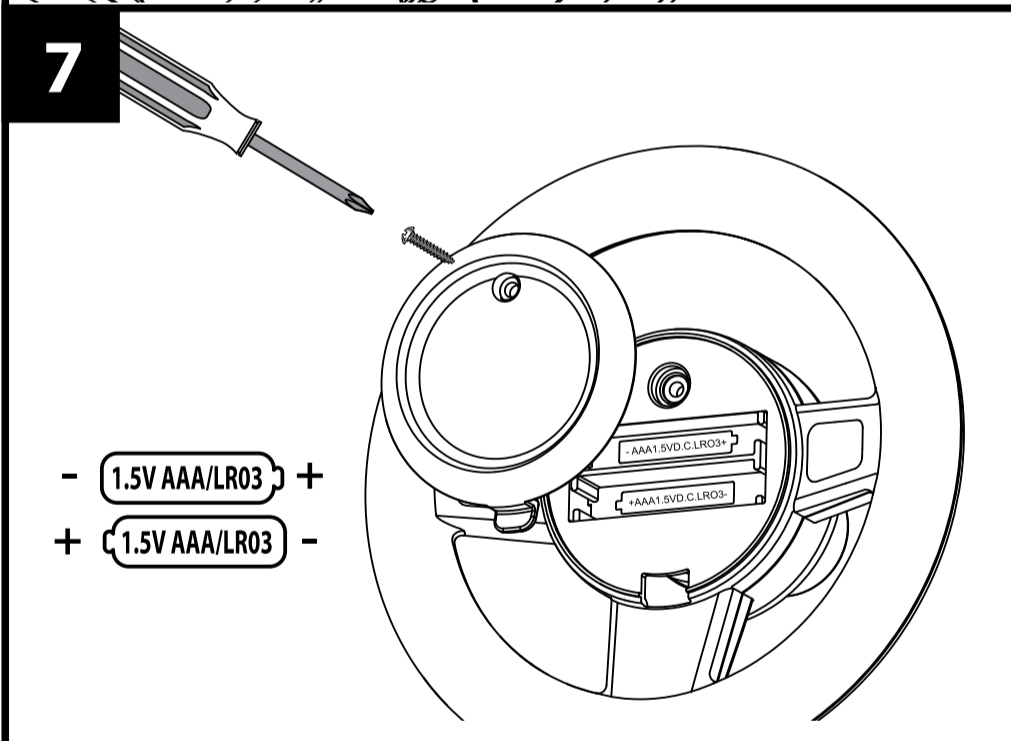
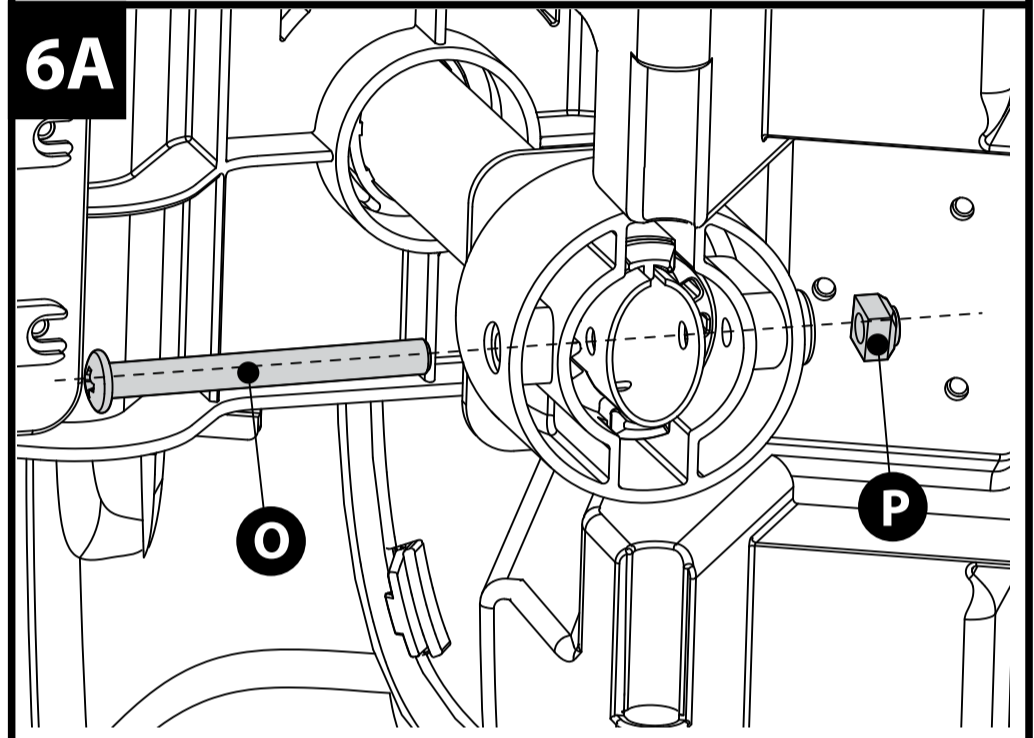
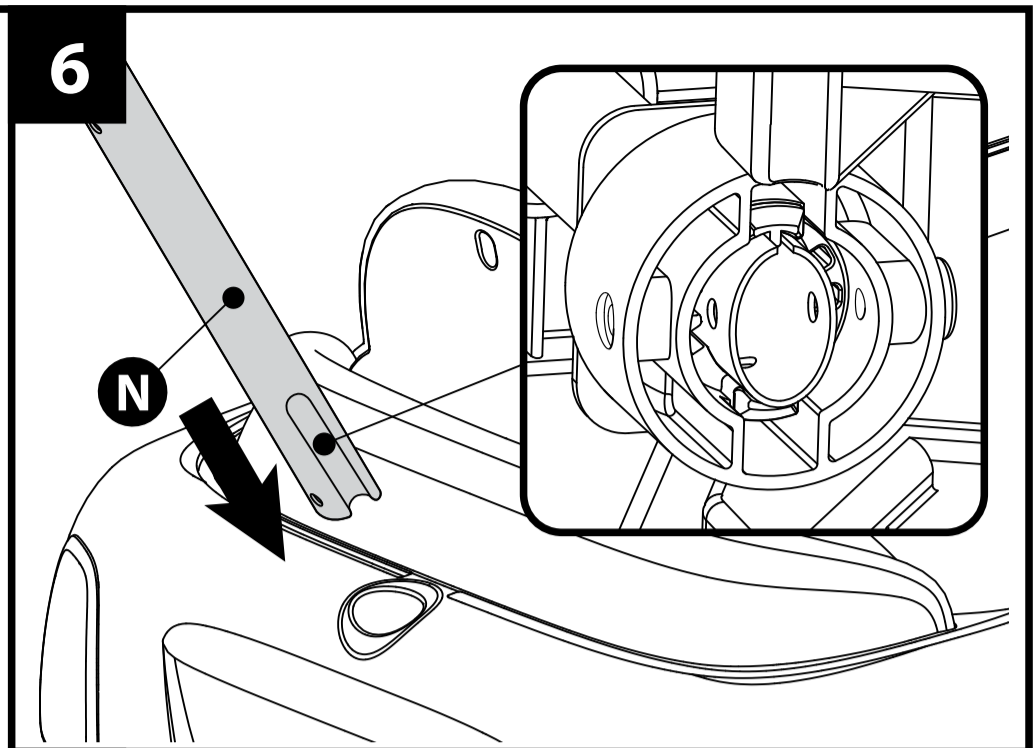
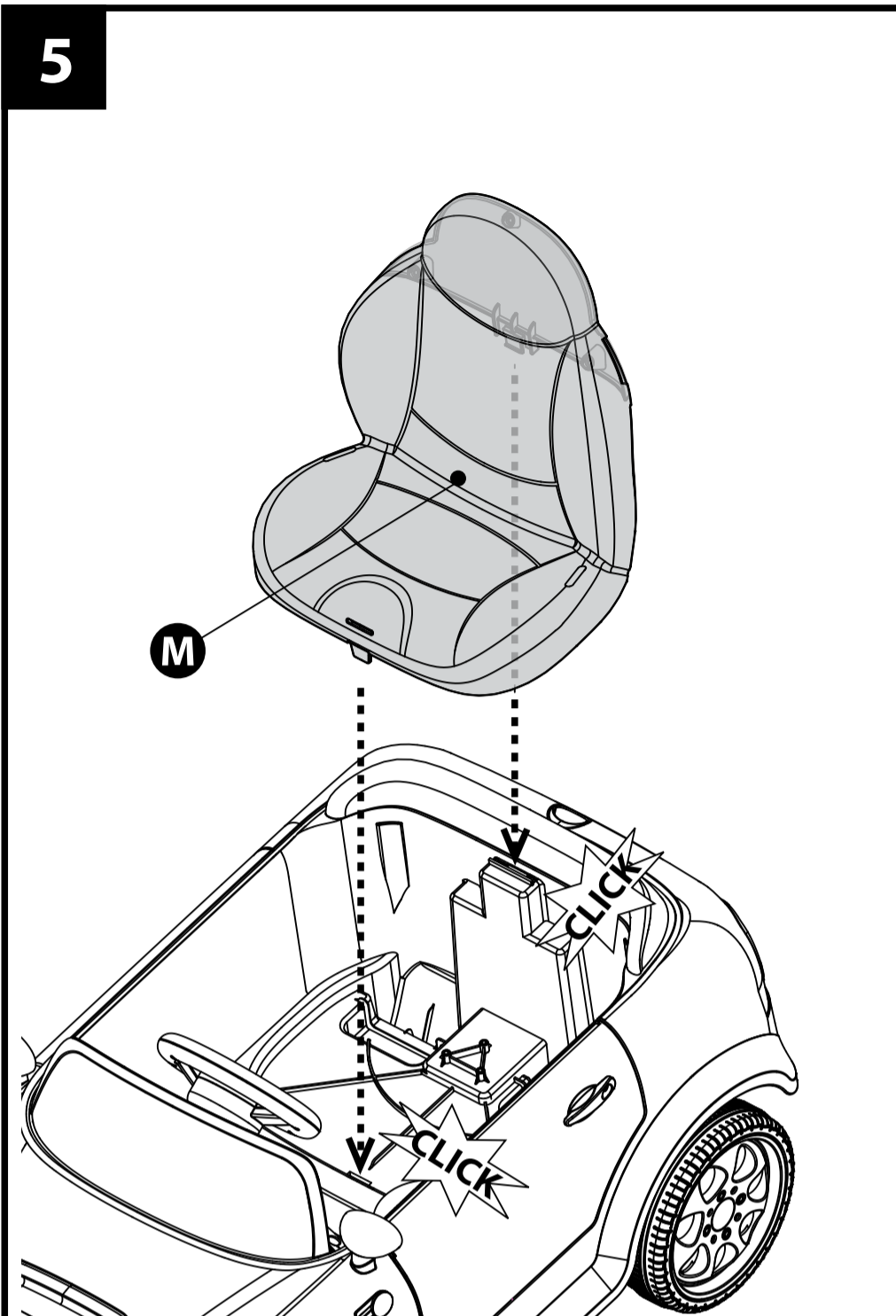
Parcels or accessory items, or both, placed in or on the unit may cause an unstable condition.

There are additional hazards of using the vehicle in areas other than private grounds.



Item	Description
A	Vehicle Body
B	Wheel (x 4)
C	Rear Axle Sleeve (x 2)
D	Nylon Axle Washer (x 8)
E	Snap Pin (x 4)
F	Wheel Cover (x 4)
G	Steering Wheel
H	Screw (steering wheel) - M5 x 22
I	Nut (steering wheel) - M5
J	Wind Shield
K	Mirror, left
L	Mirror, right
M	Seat
N	Push Bar
O	Screw (push bar) - M5 x 63
P	Square Nut (push bar) - M5
Q	Metal Washer (x 4)







Assembly Instructions

1. Assemble the Front Wheels

- Install a Nylon Washer (D) onto the front axle, then insert the Front Wheel (B), make sure that the hole for the Snap-pin (E) on the Wheel is towards the outside.
- Install Metal Washer (Q), then lock the Snap-pin (E) into the hole in the Axle.
- Finally, install the Wheel Cover (F) to complete the wheel assembly.
- Repeat the above steps for the opposite Wheel.

1a. Assemble Rear Wheels

- Install a Nylon Washer (D) onto rear axle.
- Install the Axle Sleeve (C) into the rear axle, then another Nylon Washer (D).
- Install the Rear Wheel (B) into the axle, make sure that the hole for the Snap-pin on the Wheel is towards the outside.
- Install another Nylon Washer (D), then a Metal Washer (Q), then lock the Snap-pin into the Axle hole.
- Finally, install the Wheel Cover (F) to complete the wheel assembly.
- Repeat the above steps for the opposite wheel.

2. Assemble the Steering Wheel

- Insert the steering Wheel (G) onto the steering rod, and make sure to align the hole of the steering wheel with the hole of the rod.
- Fit it with the Screw (H). Then insert the Nut (I) to combine the steering wheel and the steering rod.

3. Assemble the Wind Screen

- Align the slots of the Wind Screen (J) and the dash board.
- Push the top of the wind screen slightly until you hear an audible click. This completes the wind screen assembly.

4. Assemble the Wing Mirror

- Please note to differentiate the left and right mirrors.
- Insert the clip of the Mirror (L) into the slot of the body, push it into the slot until an audible click is heard. Repeat for other Mirror. This completes the assembly of each mirror.

5. Assemble the Seat

- Align the buckles of the Seat (M) with the slots of the body, press the seat until audible clicks are heard to complete the assembly.

6. Assemble the Push Bar

- Make sure that the slot at the end of the Push Bar (N) is toward the right. Insert the Push Bar into the slot at the rear of the body.
- Turn the vehicle over.
- Make sure that the round hole in the Steering Hub is towards back.
- Align the hole in the Steering Hub with the hole of the end of the Push Bar.
- Insert the Screw (O) through the Steering Hub and Push Bar. Install Nut (P) in steering hub recess on back side. Tighten securely.

7. Install the Batteries

- Open the battery cover on the Steering Wheel using a Phillips screwdriver (not included).
- Put the 2 x 1.5V AAA batteries (not included) into the battery cavity with the correct polarity.
- Put the battery compartment cover back on, and screw closed to secure.



Usage Instructions

Steering:

- To Steer, turn right or left by rotating steering wheel.
- To Steer using the Push Bar, turn right or left by turning the Push Bar.

Sound Unit:

- Press buttons on steering wheel to hear horn and engine sound.
- Rotate the key to hear the click sound.
- Speed pointer can be moved.

Retractable Foot Tray:

- When using the Push Bar to propel the vehicle, extend the Foot Tray (push toward the front of the vehicle) so the child's feet rest on the tray.
- When the child is propelling the vehicle, push up Footrest Lock and retract the Foot Tray (pulled toward rear) so the child's feet can reach the ground.

Adjustable Push Bar:

- Extend the Push Bar by pressing the button on the top of the handlebar and pulling out until it snaps into the extended position. To collapse, press the button and push until the Push Bar snaps into the lower position.
- Remove or fully collapse the Push Bar when the child is propelling the vehicle.

Using the Seat Belt / Restraint System:

1. With the child in the seat, place the two Shoulder Straps over the shoulders and Crotch Strap Buckle between the legs.
2. Connect the Shoulder Strap Clips to the Crotch Strap Buckle until it snaps securely.
3. Adjust each strap so the child is secure.

Limited Warranty

Your purchase includes the following limited warranty, which is in lieu of all other express warranties. This warranty is extended to the initial purchaser only. Warranty registration is not required. This warranty gives you specific legal rights: you may have other rights, which vary from state to state. The Vehicle and its component parts are under warranty to be free from faulty materials and workmanship from the date of the original purchase as follows:

- Electronics - 90 days
- All other Components - 6 months
- All parts are subject to the Conditions of Warranty below.

Conditions Of Warranty

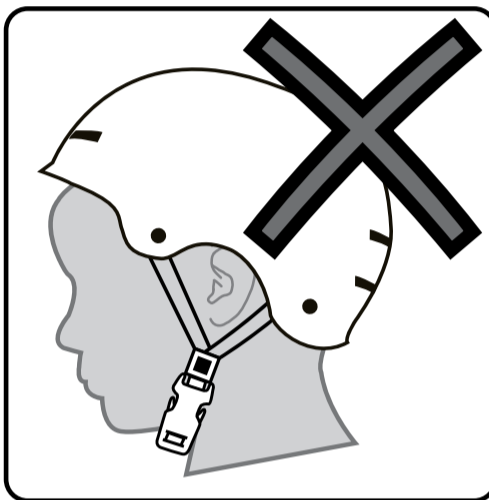
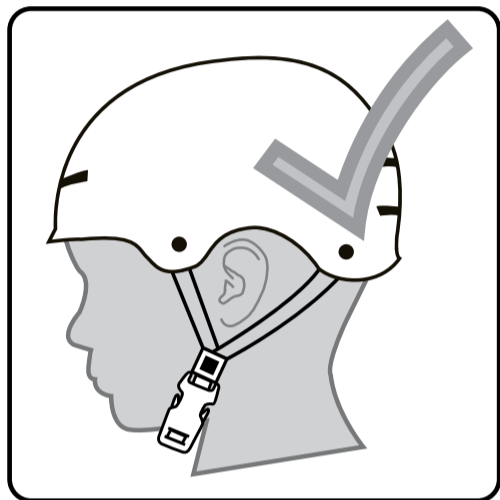
- It is the responsibility of the original consumer to ensure all parts included in the factory sealed carton are properly installed and that all functional parts are working properly.
- This Vehicle has been designed for general transportation and recreational use. This warranty shall become immediately null and void if you do any of the following:
 - Rent the Vehicle
 - Sell the Vehicle
 - Give away the Vehicle
 - Use Vehicle in ways conflicting with use and warnings described in this manual.
- The user assumes all risk of personal injuries, damage to, or failure of the Vehicle and any other losses if the Vehicle is altered in any way or if the Vehicle is used for stunt riding, ramp jumping, acrobatics, or similar activities, or is towed by another person or vehicle.
- This warranty does not cover ordinary wear and tear, damage caused by improper storage of the Vehicle, shipping damage, damage caused either accidentally or deliberately by you or another, and damage caused as a result of using the Vehicle other than for its intended purpose.

How do you get service?

Contact Huffy Consumer Service.

See included list for Customer Contact information.

WARNING: **ALWAYS WEAR YOUR HELMET** **WHEN RIDING THIS PRODUCT!**



- Helmet should sit level on your head and low on your forehead
- Adjust the strap sliders below the ear on both sides.
- Buckle the chin strap. Adjust strap until it is snug.
- No more than two fingers should fit between the strap and your chin.
- A proper fitting helmet should be comfortable and not rock forward/backward or side to side.
- Always read the user manual that comes with your helmet to make sure it is fitted and attached properly to the wearer's head according to the fitting instructions described in the user manual.

ToysRUs®

Part of the "R"US Family of Brands.
Fait partie de la famille des marques "R"US.
Teil der "R"US Marken-Familie.
Forma parte de la familia de marcas "R"US.
Parte da família de marcas "R"US.
Parte della famiglia di marche "R"US.
Wyrób należy do rodziny marek "R"US.
Onderdeel van de "R"US merkenfamilie.

AVIGO is a mark of Geoffrey, LLC (est une marque de Geoffrey, LLC/ist eine Marke von Geoffrey, LLC/es una marca de Geoffrey, LLC/é uma marca da Geoffrey, LLC/è un marchio di Geoffrey, LLC/stanowi znak towarowy firmy Geoffrey, LLC/is een merk van Geoffrey, LLC), except in Canada (sauf au Canada/außer in Kanada/excepto en Canadá/com excepção do Canadá/eccetto in Canada/z wyjątkiem Kanady/behalve in Canada), where it is a mark of Toys"R"Us (Canada) Ltd. (où il s'agit d'une marque de Toys"R"Us (Canada) ltée/wo Toys"R"Us (Canada) Ltd. Inhaber der Marke ist/donde es una marca de Toys"R"Us (Canada) Ltd./onde é uma marca da Toys"R"Us (Canada) Ltd./dove è un marchio di Toys"R"Us (Canada) Ltd./gdzie stanowi znak towarowy firmy Toys"R"Us (Canada) Ltd./waar het een merk van Toys"R"Us (Canada) Ltd. is)
© 2013 Geoffrey, LLC, a subsidiary of Toys"R"Us, Inc. (une filiale de Toys"R"Us, Inc./ein Tochterunternehmen der Toys"R"Us, Inc./una filial de Toys"R"Us, Inc./uma filial da Toys"R"Us, Inc./una società controllata di Toys"R"Us, Inc./filia Toys"R"Us, Inc./een dochteronderneming van Toys"R"Us, Inc.)

MADE IN CHINA (FABRIQUÉ EN CHINE/HERGESTELLT IN CHINA/FABRICADO EN CHINA/FABRICADO NA CHINA/PRODOTTO IN CINA/WYPRODUKOWANO W CHINACH/VERVAARDIGD IN CHINA).

DISTRIBUTED IN THE UNITED STATES BY (DISTRIBUÉ AUX ÉTATS-UNIS PAR/IN DEN USA VERTRIEBEN VON/DISTRIBUIDO EN LOS EE. UU. POR/DISTRIBUIDO NOS ESTADOS UNIDOS POR/DISTRIBUITO NEGLI STATI UNITI DA/DYSTRYBUTOR NA TERENIE STANÓW ZJEDNOCZONYCH/IN DE VERENIGDE STATEN GEDISTRIBUEERD DOOR) TOYS"R"US, INC., WAYNE, NJ 07470. IMPORTED IN CANADA BY (IMPORTÉ AU CANADA PAR/IMPORTIERT NACH KANADA DURCH/IMPORTADO EN CANADÁ POR/IMPORTADO EM CANADÁ POR/IMPORTATO IN CANADA DA/IMPORT DO KANADY/GEÏMORTEERD IN CANADA DOOR) TOYS"R"US (CANADA) LTD. (LTÉE), 2777 LANGSTAFF ROAD, CONCORD, ON L4K 4M5. OTHER ADDRESSES (AUTRES ADRESSES/WEITERE ADRESSEN/OTRAS DIRECCIONES/OUTROS ENDEREÇOS/ALTRI INDIRIZZI/POZOSTAŁE ADRESY/ANDERE ADRESSEN): TOYS"R"US, LTD., MAIDENHEAD, BERKSHIRE SL6 3QH, UK. TOYS"R"US SARL, 2 RUE THOMAS EDISON, LA REMISE, LISSES, 91044 EVRY, FRANCE. TOYS"R"US GMBH, KÖHLSTR. 8, 50827 KÖLN, DEUTSCHLAND. TOYS"R"US HANDELSGESELLSCHAFT M.B.H., IKEA PLATZ 4, A-4053 HAID, ÖSTERREICH. TOYS"R"US AG, INDUSTRIESTR. 29, 8305 DIETLIKON, SCHWEIZ. TOYS"R"US IBERIA, S.A. POL. IND. ALCALÁ OESTE, CTRAM-300, KM 29800, 28802 ALCALÁ DE HENARES- MADRID- ESPAÑA. TOYS"R"US PORTUGAL, LDA, CASCAISHOPPING, E.N.9-2645-543 ALCABIDECHÉ, PORTUGAL. TOYS"R"US POLAND SP. Z O.O., UL. MARYNARSKA 19A, 02-674 WARSAW. TOYS"R"US (AUSTRALIA) PTY LTD., REGENTS PARK NSW 2143.