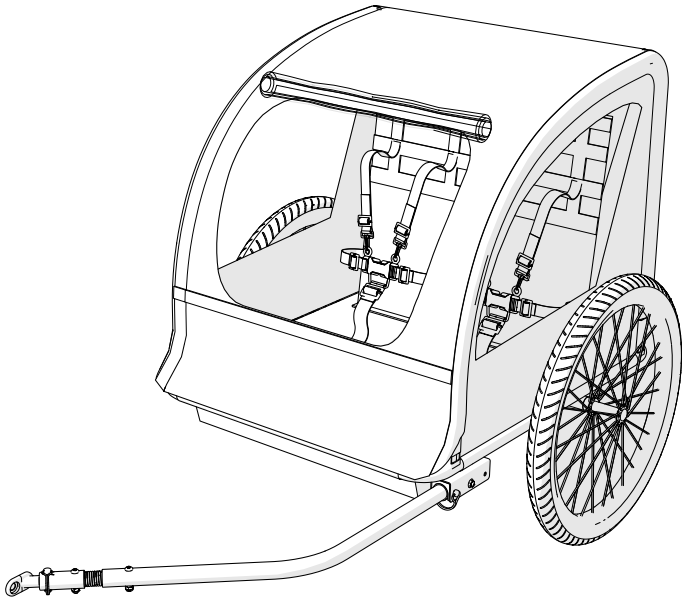


Owner's Manual

for

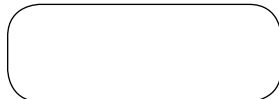
Bicycle Child Trailer



This manual contains important safety, assembly, operation and maintenance information.

Please read and fully understand this manual before operation.

Save this manual for future reference.



Owner's Manual Index

Introduction

- The Owner's Responsibility 3
- Warning and Safety Information 4
- Trailer Compatibility 4
- Reflectors 4
- Trailer Warnings.....4/5
- Pre-Ride Safety Check 5

Components

- Part Assembly View 6
- Parts Assembly List 7

Assembly

- Introduction to Assembly 8
- Tools Needed..... 8
- Assembling the Frame and Seat Panel 9
- Setting up the Hitch Arm 10
- Installing the Wheels 11
- Attaching the Top Cover 12
- Attaching the Trailer to a Bike..... 13
- Attaching Safety Strap to Bike 14
- Installing Fag 15

Product Usage

- Placing Children in the Trailer.....16/17

Accessories

- Electronic Foot Pedal18/19

Maintenance

- Trailer..... 20
- Hitch Arm Spring..... 20
- Disassembly and Storage..... 20
- Tires 21
- Inspection of the Bearings 21
- Lubrication 21
- Lubrication Table..... 21

Warranty

- Huffy Corporation Limited Warranty22/23



WARNING: The trailer is designed and constructed to provide a portable, comfortable and sturdy addition to your outdoor ventures. Please read these instructions and all warnings carefully before using and keep the instructions for future reference.

If the Trailer was purchased unassembled, it is the owner's responsibility to follow all assembly and adjustment instructions exactly as written in this manual, and any "Special Instructions" supplied to ensure complete and proper assembly. Make sure all fasteners and components are securely tightened during installation.

NOTE:

- Periodically check that all fasteners and components are securely tightened.
- Check the working conditions of both bike and trailer before each use. If you discover broken components, misalignments or missing parts, correct the problem prior to use.

If the Trailer was purchased assembled, it is the owner's responsibility, before using the Trailer for the first time, to make sure the Trailer has been assembled and adjusted exactly as written in this manual, and any "Special Instructions" supplied and to make sure all fasteners and components are securely tightened.

Thank you for your purchase. If you have problems, do not return to store. Call customer service. Please refer to model/date code label on product or cover of manual.

Warning and Safety Information

Meanings of Warnings:



This symbol is important. See the word “**CAUTION**” or “**WARNING**” which follows it.

The word “**CAUTION**” is before mechanical instructions. If you do not obey these instructions, mechanical damage or failure of a part of the Trailer can occur.

The word “**WARNING**” is before personal safety instructions. If you do not obey these instructions, injury to the rider or to others can occur.

Trailer Compatibility



WARNING: This product is not compatible with bicycles equipped with quick-release rear axle or rear axle mounted kickstand.

Reflectors



WARNING: For your child’s safety, do not use the Trailer if the reflectors are incorrectly installed, damaged, or missing. Make sure the rear reflectors are vertical and pointing straight back. Do not allow the visibility of the reflectors to be blocked by clothing or other articles. Dirty reflectors do not work well. Clean the reflectors, as necessary, with soap and a damp cloth.

Trailer Warnings



WARNING: Failure to comply with the manufacturer’s instructions can lead to serious injury or death of the passenger/rider.

- Adult assembly required.
- Constant adult supervision required.
- Never exceed a safe speed. Recommended maximum speed is 8 MPH (13 KM/H) and slowing to no more than 3 MPH (5 KM/H) when turning.
- Not for cargo (such as but not limited to bricks, debris, logs, etc.).
- Maximum weight is 100 # (45Kg).
- Maximum capacity is 2 children age 1.5 to 3 years.
- Not for children under 1 year old. Children must be able to support their own heads.
- Maximum child height is 38” (96.5cm).
- Do not use with children who exceed the weight or height limitations.
- Each child must wear an ANSI or CPSC approved bicycle helmet when riding in this product.

Trailer Warnings - continued

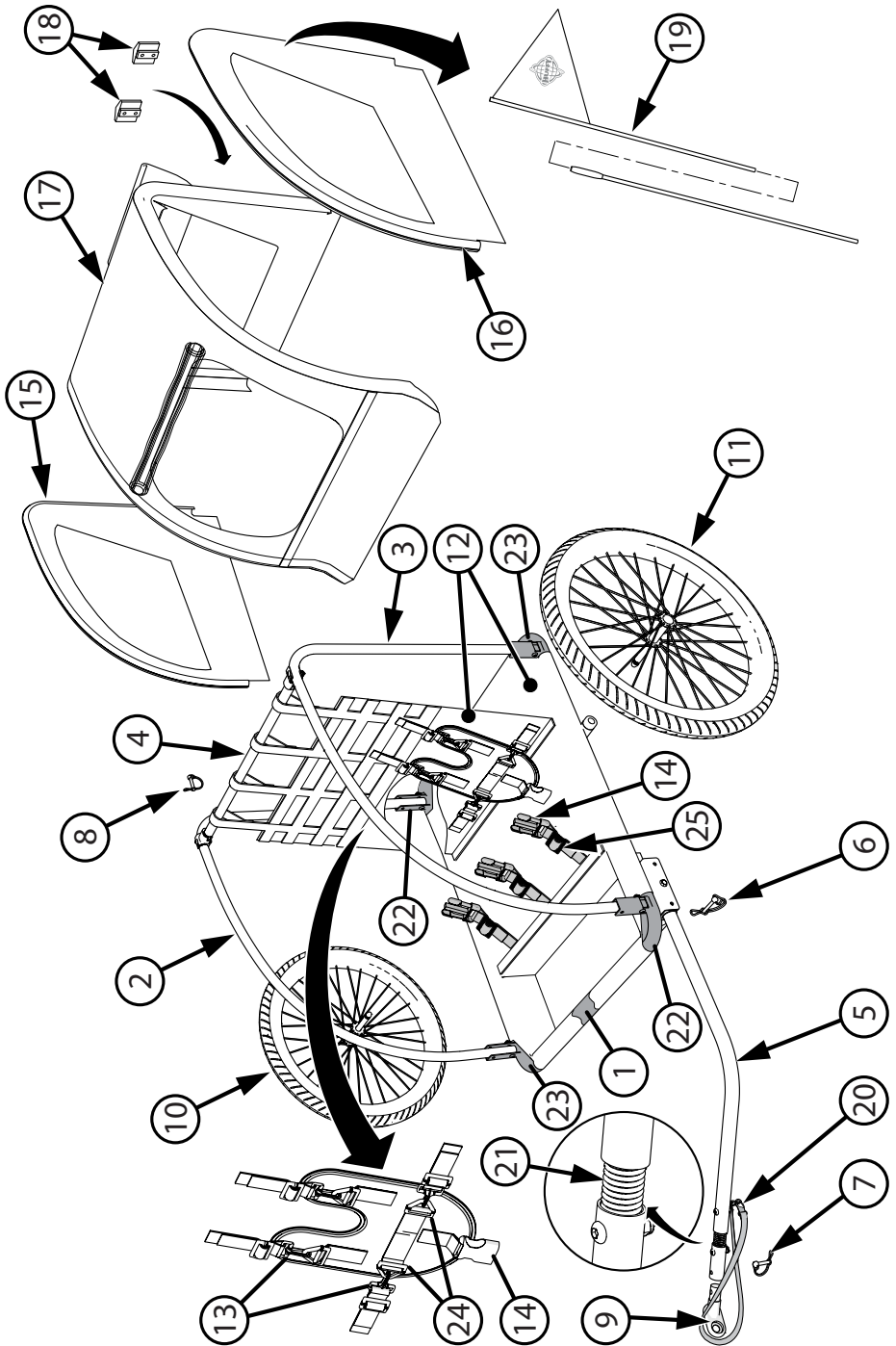
- To avoid serious injury, children should always wear the seat belts and shoulder straps when riding in trailer.
- When used with one occupant, the occupant must be seated in the center seating position and wearing the seat belt and shoulder straps.
- Weighted trailer will result in change in handling of the bicycle. Load added to the bicycle will lessen the stability and alter the riding characteristics, particularly with a child near the high end of the weight range.
- This trailer is wide. Allow extra clearance near curbs, signs, parked cars and other obstacles.
- A bicycle with a trailer attached requires a wide turning radius. Do not turn sharply.
- To prevent injury use caution when folding or unfolding this product.
- The trailer is not suitable for running or skating.
- Do not install a car seat or any other seating device not approved by the manufacturer inside the trailer.
- Make no modifications to the trailer.
- Do not allow any of the child's body, clothing, shoe laces, or toys come into contact with moving parts.
- Never leave children unattended in or around the trailer.
- Reflector(s) that complies with US-CPSC regulations shall be visible on the rear of the trailer.
- Before each ride, ensure the attached trailer and trailer components do not interfere with braking, pedaling, or steering of the bicycle.
- Never use a trailer at night or times of limited visibility.
- Obey all local laws and regulations for bicycles and trailers.
- Check all fasteners before each ride.
- Ensure lock pins are fully inserted / engaged before each ride.
- The bicycle to which the trailer is attached should undergo a safety check by a qualified bicycle mechanic before attaching the trailer to it.
- Inflate tires to recommended pressure shown on tire sidewall.
- Ensure brakes on your bicycle work properly before each ride. Braking distance is increased when pulling a trailer.
- Do not use cleaning solvents. Clean only with soap and water.

Pre-Ride Safety Check

Before each ride:

1. Ensure Bike and Trailer are in top working condition.
2. Check TIRE AIR PRESSURE of both Bike and Trailer.
3. Check to ensure Hitch Connector and Safety Strap are secured.
4. BUCKLE UP! Check seat harness and secure all baggage.
5. HELMETS ON! Ensure rider and child helmets are on and secure.

Part Assembly View



No.	Description	No.	Description
1	Frame Tubes (4)	13	Lock Clips (x4)
2	Right Frame Support	14	Seat Buckle (x3)
3	Left Frame Support	15	Cover, Right Side
4	Cross Bar	16	Cover, Left Side
5	Hitch Arm	17	Cover, Top
6	Hitch Arm Safety Pin (49mm)	18	Rear Reflectors (x2)
7	Hitch Connector Safety Pin (35mm)	19	Flag
8	Cross Bar Safety Pin (35mm)	20	Safety Strap
9	Hitch Connector	21	Hitch Arm Spring
10	Wheel/Tire, Right	22	Corner Frame Brackets (Front Left, Right Rear) (2)
11	Wheel/Tire, Left	23	Corner Frame Brackets (Front Right, Left Rear) (2)
12	Deck/Seat Fabric	24	Clip Ring (x4)
		25	Seat Strap Adjuster (x7)

Introduction to Assembly

This Owner's Manual is made for several different Trailers:

- Some illustrations may vary slightly from the actual product.
- Follow instructions completely.
- If the Trailer has any parts that are not described in this manual, look for separate "Special Instructions" that are supplied with the Trailer.
- Models may have different accessory items such as bags, baskets, reflectors, cup holders, racks, etc.
- All features, components and accessories are not included on all models.
- Use the Index page to locate specific sections of this manual.
- Please read through this entire manual before beginning assembly or maintenance.
- If you are not confident with assembling this unit, refer to a local bike shop.

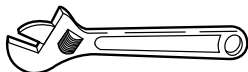


WARNING: Keep small parts away from children during assembly.

NOTE: All of the directions (right, left, front, rear, etc.) in this manual are as seen by the rider while seated in the Trailer.

Do not dispose of the carton and packaging until you complete the assembly of the Trailer. This can prevent accidentally discarding parts of the Trailer.

Tools Needed



Small Adjustable Wrench
(Jaws must open at least 9/16 inch.)



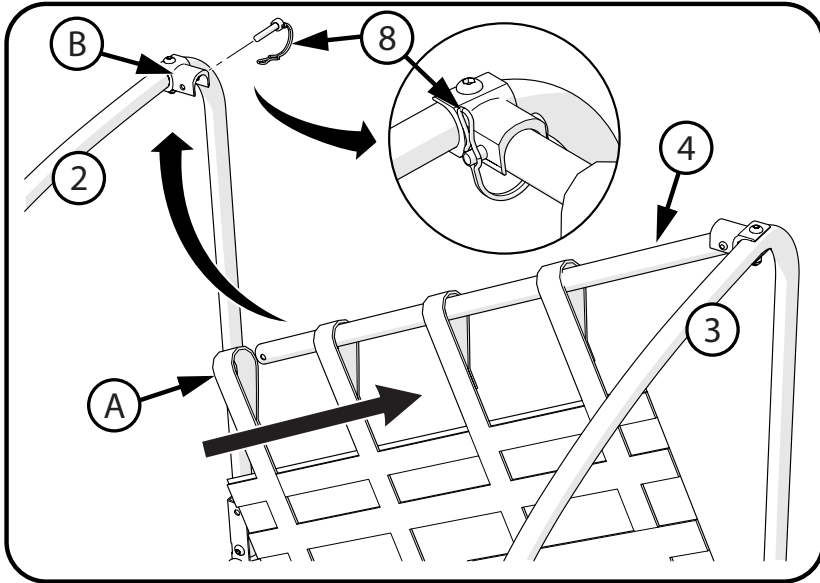
Open-end Wrenches

Assembling the Frame and Seat Panel

Remove trailer and all components from carton and sort all contents.

Steps:

1. Unfold Side Frames (2) so they are upright.
2. Lift up Crossbar (4) and slide Seat Straps (A) over Crossbar.
3. Push Side Frames apart and insert end of Crossbar into Clamp Bracket (B).
4. Insert Safety Pin (8) and snap clip ring over end of Safety Pin as shown.

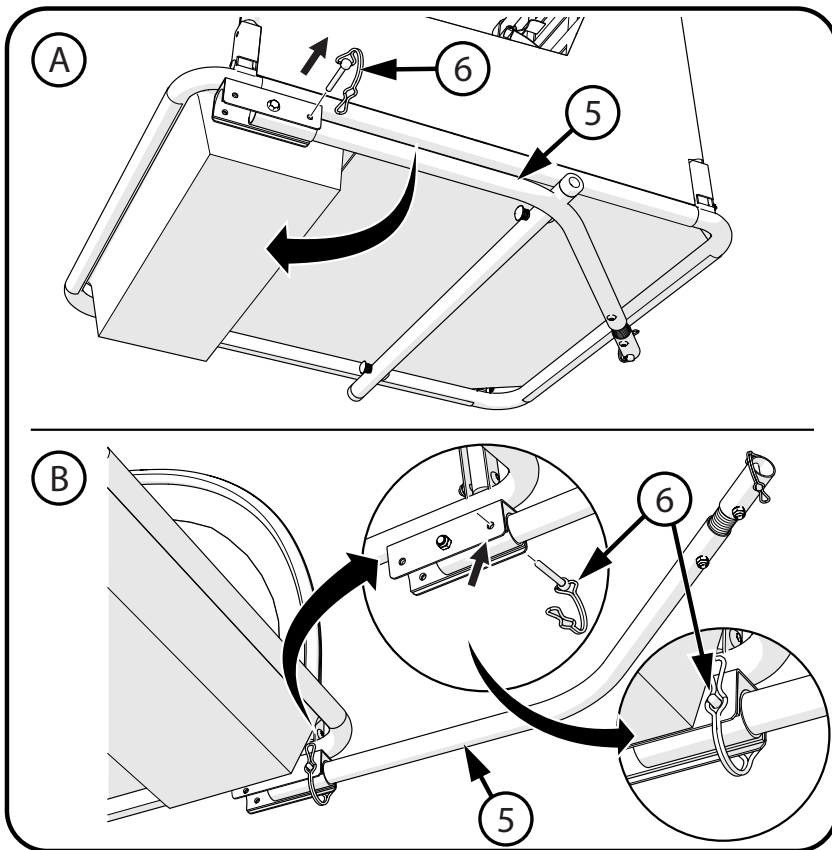


Side panels removed for clarity.

Setting up the Hitch Arm

Steps:

1. Turn the unit on it's side.
2. Remove the Safety Pin (6) from rear hole as shown.
3. Rotate Hitch Arm (5) so that it points forward.
4. Insert Safety Pin (6) in FORWARD hole and snap clip ring over end of Safety Pin as shown.



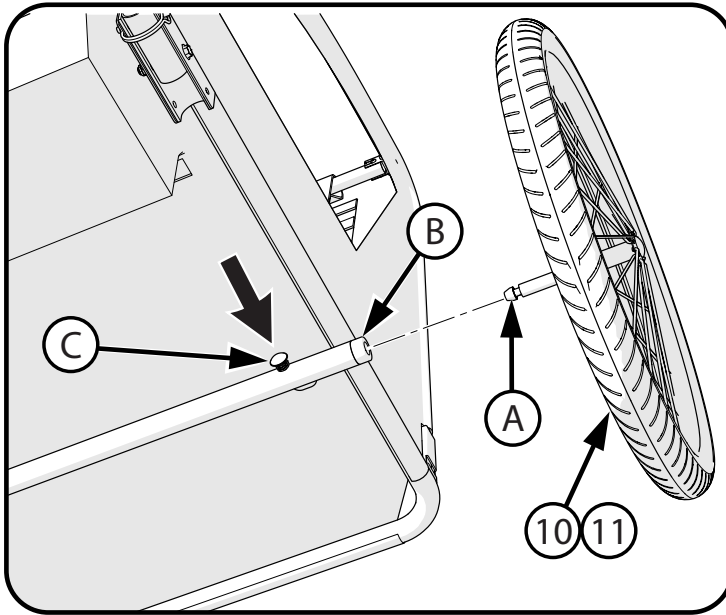
WARNING: Do not use the trailer without proper installation of the safety pin.

Installing the Wheels

Steps:

1. Turn the unit on it's back.
2. Slide each Wheel Shaft (A) into the Trailer Axle (B).
3. Press the Lock Button (C) until the Wheel locks into position and cannot be pulled out.
4. Repeat for opposite side.

Note: To remove the Wheels (10, 11), push in the Lock Button (C) and pull the Wheel out of the Axle.



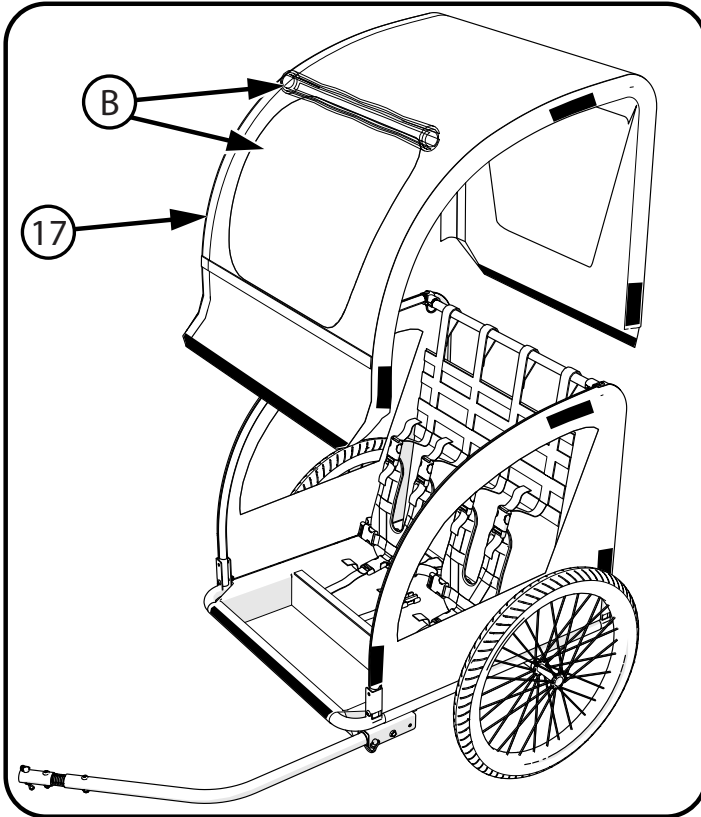
WARNING:

- For easy towing and safe handling, check tires often for proper inflation and wear. Check tire pressure regularly and inflate tires to within the range shown on the tire sidewall.
- Failure to properly install Wheels could allow them to come off during use. This could lead to serious injury.

Attaching the Top Cover

Steps:

1. Position Cover (17) over the top of the trailer so that the PVC Window and Bug Mesh Screen (B) is to the front of trailer.
2. Fasten the Velcro (shown in black) in all the locations shown below (both sides).
3. Position the Cover until it is fully covering the Trailer.

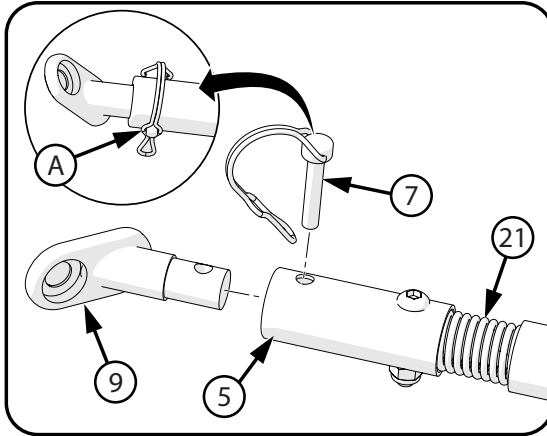


Attaching the Trailer to a Bike

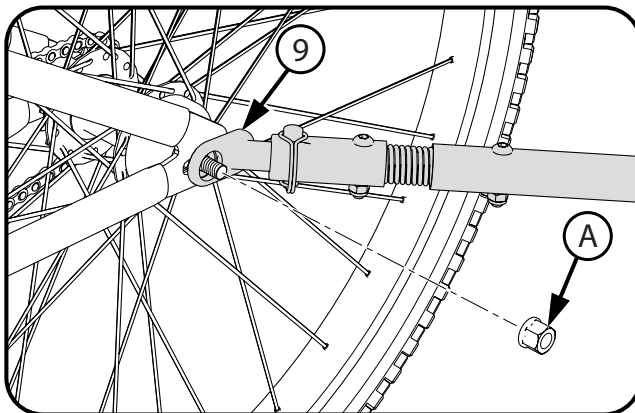
Steps:

(Hitch Connector (9) may be pre-installed from the factory)

1. Insert the Hitch Connector (9) into the Hitch Arm (5).
2. Insert Safety Pin (7) and snap Clip Ring (A) over end of Safety Pin as shown.



3. Remove the left rear Axle Nut (A) from the bike.
4. Fasten the Hitch Connector (9) onto the rear axle using the existing Axle Nut as shown.
5. Ensure wheel is properly aligned and chain properly tightened as described in bicycle owner's manual.
6. Install and tighten Axle Nut as described in bicycle owner's manual.



WARNING: Ensure there is full thread engagement and threads are visible past the end of the nut.

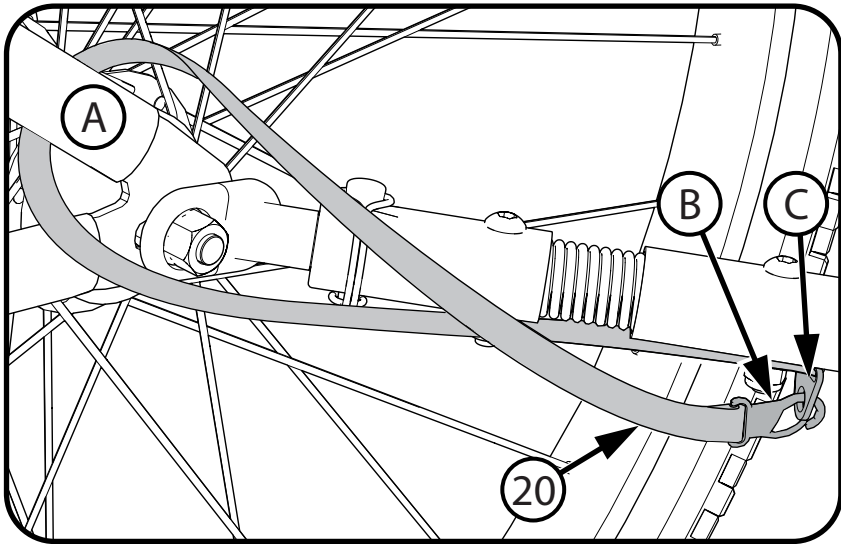
If there are not threads visible past the end of the nut, contact a local bicycle shop for proper installation.

WARNING: If the Hitch interferes with your bike or other bike attachments, or if it does not tighten securely, do not use the Trailer. Contact a local bicycle shop for help with proper installation.

Attaching Safety Strap to Bike

Steps:

1. Route Safety Strap (20) around Bike's Frame (A) as shown.
2. Securely fasten Strap Clamp (B) to Bracket (C) as shown.
3. Ensure wheel functions properly with no interference.



! **WARNING:** If the Safety Strap interferes with your bike or other bike attachments, or if it does not tighten securely, do not use the Trailer. Contact your a local bicycle shop for proper installation.

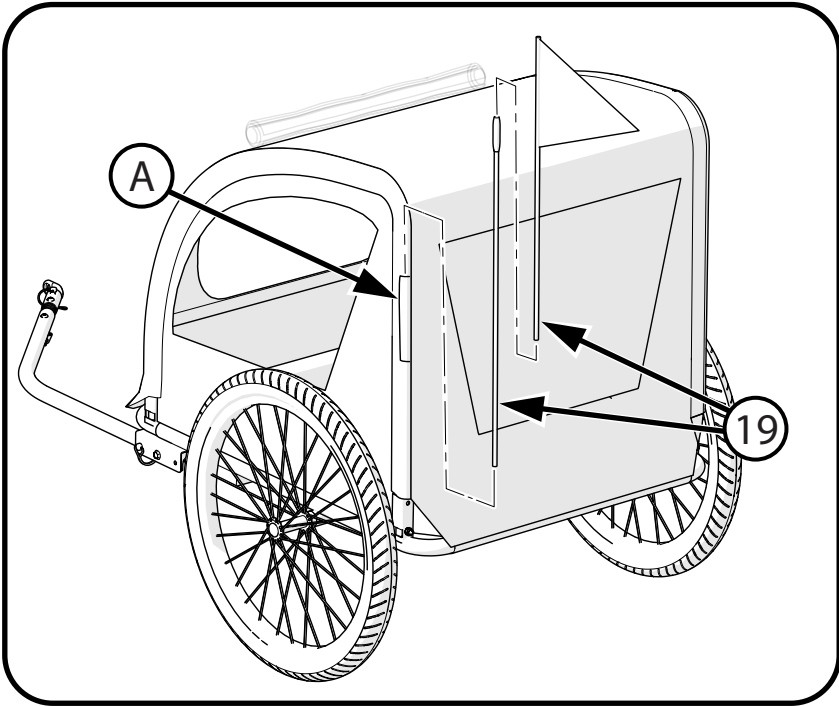
Note: To remove the Trailer from the bike, reverse these installations steps. Ensure wheel is properly aligned and chain properly tightened as described in bicycle owner's manual. Install and tighten Axle Nut as described in bicycle owner's manual.

Installing Flag

The Flag (19) slides into the Slot (A) in the side of the Left Cover.

Steps:

1. Connect both sections of the Flag (19) as shown.
2. Locate the Slot (A) on the rear corner of the Cover and slide Flag shaft all the way in so that it is secure.



WARNING: Do not use Trailer without Flag installed.

Placing Children in the Trailer

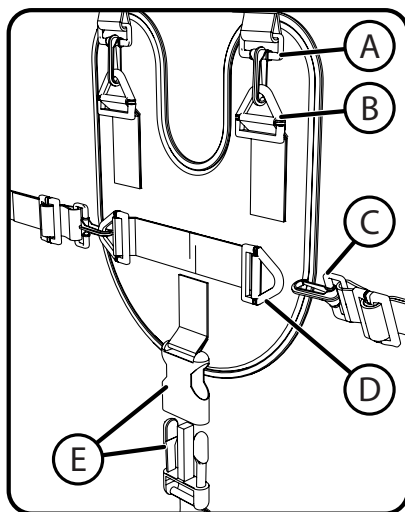
When you place the children in the seat or remove the children from the seat, always check if the trailer is stably connected with the bike and the bike is properly parked.

- Open the front of top cover and place the children in the proper position.
- Secure children in both Lap Belts and Shoulder Straps.
- Close Top Cover window screen.

The Harness System is designed to keep passengers secure during transport. The Harness System is designed to accommodate one or two children.

Harness Buckle Operation:

- Insert Lock Clip into Buckle until it snaps and Clips are fully seated (E).
- Clip Shoulder Latches (A) and Waist Latches (C) over Lock Clip Rings (B, D) until they snap closed.
- Pinch Clips and Latches to release.

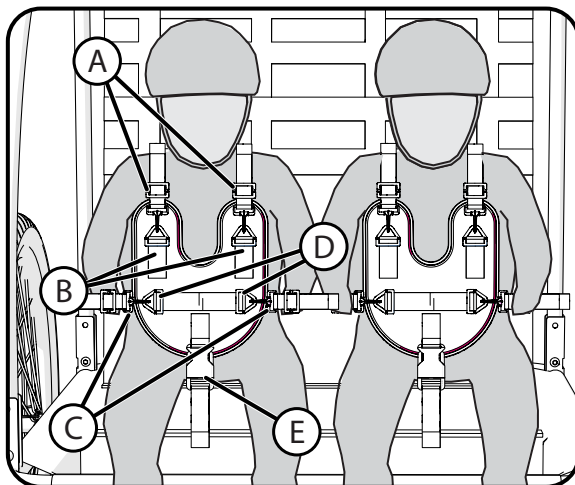


WARNING: Ensure kids are fully strapped in as shown before using Trailer.

Note: To remove Children from the Trailer, reverse the following steps.

Two Passengers:

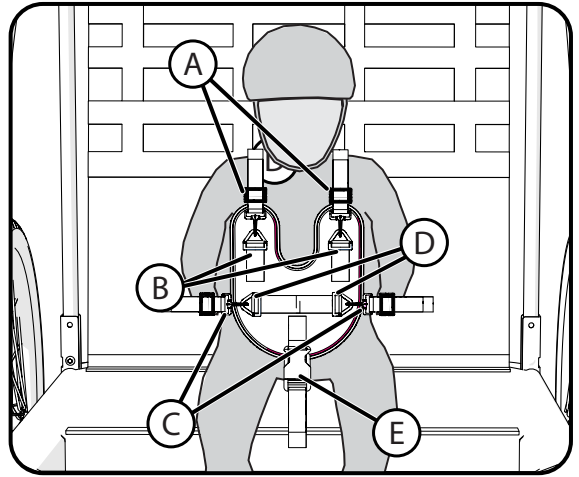
1. Place child on one side of the trailer seat and connect the two Shoulder Strap Clips (A) to the two Lock Clips (B) as shown.
2. Connect the two Waist Straps (C) on each side of the child to the Harness Lock Clips (D).
3. Connect the crotch strap Buckle (E).
4. Adjust all Straps to be snug and secure.
5. Repeat for second child.



Placing Children in the Trailer

Single Passenger:

1. When carrying a single child, place child in the middle of the trailer seat and connect the two Shoulder Strap Clips (A) to the two Lock Clips (B) as shown.
2. Connect the two Waist Straps (C) on each side of the child to the Harness Lock Clips (D).
3. Connect the crotch strap Buckle (E).
4. Adjust all Straps to be snug and secure.



⚠ WARNING: Passengers can become hot inside fully closed trailer during very hot weather or when parked. Please make sure to open roll up top cover vents to prevent overheating. To protect children from flying objects, never use trailer without the front window or bug screen in place.

The top cover is designed to keep passengers dry and warm in inclement weather and protect them from flying debris. The PVC Window can be rolled up to allow for added ventilation in hot weather or rolled down to protect from wet or cold weather. Velcro closures keep the PVC Window out of the way when rolled up.

Electronic Foot Pedal

(Not included with all models)

Remove Pull Tab (A) for battery operation

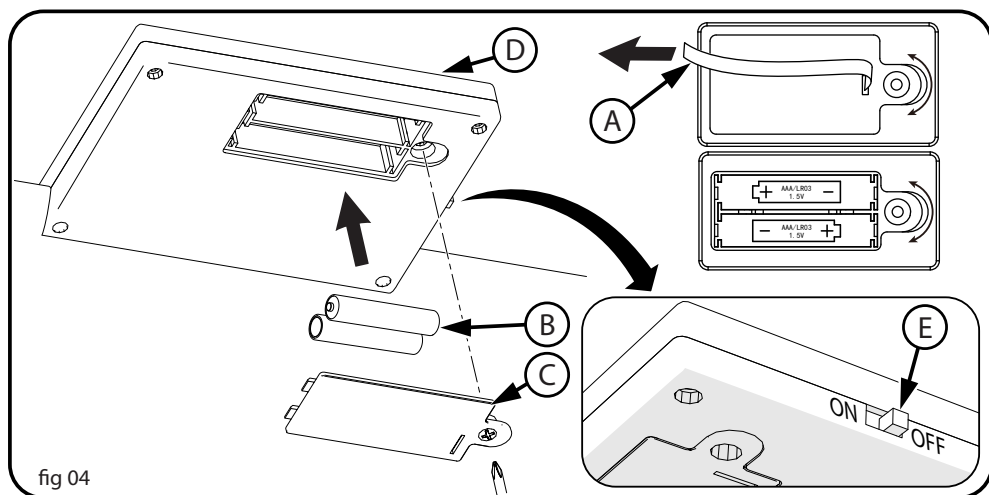


fig 04

View from underneath Foot Pedal

Battery Replacement:

Batteries: DC 1.5V, AAA. The unit requires 2 batteries (B).

1. Loosen the battery compartment Cover Screw to remove the Cover (C).
2. Insert batteries in the orientation shown inside the compartment.
3. Re-install the compartment Cover on the Sound Unit (D) and tighten the screw.

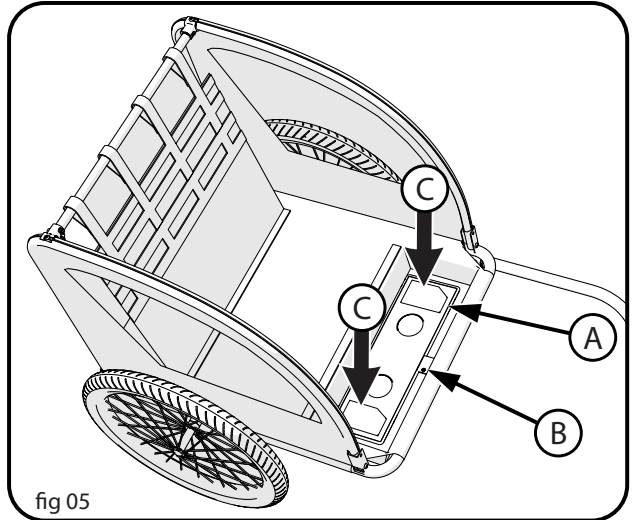


WARNING:

- Battery replacement is to be conducted by an adult.
- Dispose of batteries properly. Do not dispose of batteries in fire, batteries may explode or leak. Check local regulations for proper battery disposal.
- Non-rechargeable batteries are not to be recharged.
- Different types of batteries or new and used batteries are not to be mixed.
- Only batteries of the same or equivalent type as recommended are to be used.
- Batteries are to be inserted with the correct polarity.
- Keep the unit from getting wet.
- The battery supply terminals are not to be short-circuited.
- Rechargeable batteries are to be removed from the unit before being charged.
- Rechargeable batteries are only to be charged under adult supervision.

Foot Pedal (A) Placement:

- Make sure Sound Unit (B) faces forward.
- Make sure Foot Pedal (A) is sitting flat on the bottom of the foot compartment as shown.



Operation:

- Turn unit ON (E) (fig 04).
- Push the Foot Pads (C) with your feet to activate the sounds.
- Lift foot off Pads and down again to cycle through the various sounds.
- Turn unit OFF (E) after use to extend battery life (fig 04).

If there are problems with operation – ensure the batteries are not low and they are properly installed.





WARNING:

Inspect the Trailer frequently. Failure to inspect the Trailer and to make repairs or adjustments, as necessary, can result in injury to the rider or to others. Make sure all parts are correctly assembled and adjusted as written in this manual and any “Special Instructions”.

- Immediately replace any damaged, missing, or badly worn parts.
- Make sure all fasteners are correctly tightened as written in this manual and any “Special Instructions”. Parts that are not securely tightened can be lost or operate poorly. Over tightened parts can be damaged. Make sure any replacement fasteners are the correct size and type.
- If your frame is aluminum, inspect the frame carefully and frequently. Aluminum frames can develop very small cracks due to stress, severe shocks, etc. If you see any small cracks, stop using the Trailer. Have the frame inspected by a qualified professional at a bicycle service shop before using the Trailer again.

Hitch Arm Spring



WARNING:

The Hitch Arm Spring is the main connection between bike and trailer. Inspect before each ride. If Spring is damaged, do not use Trailer. Call customer support for replacement.

Disassembly and Storage

For partial or complete disassembly, folding and storage, reverse the assembly steps starting on **page 9**.

- Be sure to insert the safety pins fully and lock them with the spring clips.
- Inspect the Trailer and all parts before and after storage.
- Always make sure the Trailer is clean and dry before storing.
- Store Trailer inside a dry place.
- Check the working condition of the Trailer after storage.

Tires

Maintenance:

- Frequently check the tire inflation pressure because all tires lose air slowly over time. For extended storage, keep the weight of the Trailer off the tires.
- Do not use unregulated air hoses to inflate the inner tubes. An unregulated hose can suddenly over inflate tires and cause them to burst.
- Replace worn tires.

Inspection of the Bearings

Maintenance

Frequently check the Trailer Wheel bearings. Lubricate the bearings every 12 months or any time they do not pass the following tests:

Wheel Bearings

Lift each end of the Trailer off the ground and slowly spin the raised wheel by hand. The bearings are correctly adjusted if:

- The wheel spins freely and easily.
- The weight of the spoke reflector (if installed), when you put it toward the front or rear of the Trailer, causes the wheel to spin back and forth several times.
- There is no side-to-side movement at the wheel rim when you push it to the side with light force.

Note: Have a bicycle service shop make any repairs or adjustments for which you do not have the correct tools or if the instructions in this manual or any “Special Instructions” are not sufficient for you.

Lubrication



WARNING:

- Do not over lubricate. If oil gets on the trailer, it may damage the material.
- Using soap and hot water, wash all oil off the wheel rims and the tires.
- Rinse with clean water and dry completely before you use the Trailer.
- Using a light machine oil (20W), lubricate the Trailer according to the following table:

Lubrication Table

What	When	How
Wheel Bearings	every 12 months	Put three drops of oil on both sides of the axle at each bearing.

Limited Warranty

General:

- Part or model specifications are subject to change without notice.
- This Limited Warranty is the only warranty for the product. There are no other express warranties.
- The only uses for this product are described in this manual.
- Warranty registration is not required.
- The Limited Warranty extends only to the original consumer and is not transferable to anyone else.

What does this Limited Warranty cover?

This Limited Warranty covers all parts of the product except those indicated below as not warranted.

What must you do to keep the Limited Warranty in effect?

This Limited Warranty is effective only if:

- Product is completely and correctly assembled.
- Product is used under normal conditions for its intended purpose (see the following section for excluded activities).
- Product receives all necessary maintenance and adjustments.
- Product is used for general transportation and recreational use only.

What is not covered by this Limited Warranty?

This product is designed for recreational use only. This Limited Warranty does not cover normal wear and tear, normal maintenance items, or any damage, failure, or loss that is caused by improper assembly, maintenance, adjustment, storage, or use of the product.

This Limited Warranty will be void if the product is ever:

- Used in any competitive sport
- Used for stunt riding, jumping, aerobatics or similar activity
- Modified in any way
- Modified with the addition of a motor
- Ridden by more than one person at a time
- Rented, sold, or given away
- Used in a manner contrary to the instructions and warnings in this Owner's Manual

Huffy will not be liable for incidental or consequential loss or damage due directly or indirectly from use of this product. Some States do not allow the exclusion or limitation of incidental or consequential damages, so the above limitation may not apply to you.

Limited Warranty - continued

What will Huffy do?

Huffy will replace, without charge to you, any part, or component found to be defective by Huffy.

How do you get service?

Contact the Customer Service Department.

See included list for Customer Contact information or visit www.huffybikes.com/contact.

What rights do you have?

This warranty gives you specific legal rights. You may also have other rights which vary from State to State.

All warranties are from date of purchase.

How long does this warranty last?

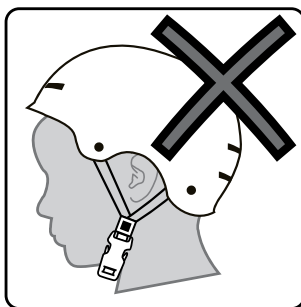
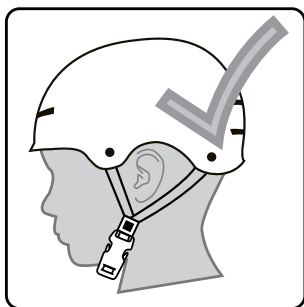
Frame: 2 years

Components: 6 months

Electronics: 90 days

Batteries: None

WARNING: **ALWAYS WEAR YOUR HELMET** **WHEN RIDING THIS PRODUCT!**



- Helmet should sit level on your head and low on your forehead
- Adjust the strap sliders below the ear on both sides.
- Buckle the chin strap. Adjust strap until it is snug.
- No more than two fingers should fit between the strap and your chin.
- A proper fitting helmet should be comfortable and not rock forward/backward or side to side.
- Always read the user manual that comes with your helmet to make sure it is fitted and attached properly to the wearer's head according to the fitting instructions described in the user manual.

Check
www.Huffybikes.com/contact
for the current contact information

HUFFY