



Date Code Label
Here

Owner's Manual

BMX Bicycles



This manual contains important safety, assembly, operation and maintenance information.

Please read and fully understand this manual before operation.

Save this manual for future reference.



See back page for Customer Service Information

Consulte el reverso para Servicio de Información al Cliente

Voir pages verso pour des renseignements le service à la clientèle

Owner's Manual Index

Introduction

- Owner's Bicycle Identification Record.....3
- Fitting the Rider to the Bicycle.....3
- Warning and Safety Information.....4
- Freewheel Brakes4
- The Owner's Responsibility4
- Rules of the Road5

Components

- Part Assembly View6
- Parts Assembly List.....7

Assembly

- Introduction.....8
- Tools Needed.....8
- Assemble the Front Wheel to the Fork.....9
- Handlebar and Stem Installation - No Gyro Brakes 10-11
- Gyro Brake and Stem Setup - Rear Brake 12-13
- Gyro Brake Setup - Front Brake Cable Install 14-15
- Testing Stem and Handlebar Tightness 16
- Seat Installation (various models)..... 17-18
- Testing Seat Clamp and Post Clamp Tightness 18
- Pedal Installation.....19
- Front and Rear Reflector Installation19
- Pegs Installation (if equipped)20
- Bell (if equipped).....20

Maintenance and Service

- Repair and Service.....21
- Torque Chart.....21
- Coaster Brake.....22
- Chain Adjustment.....23
- Inspection of the Bearings23
- Rim Brake System: Setup and Adjustment 24-27
- Brake Pad replacement.....27
- Tires28
- Lubrication / Lubrication Table29

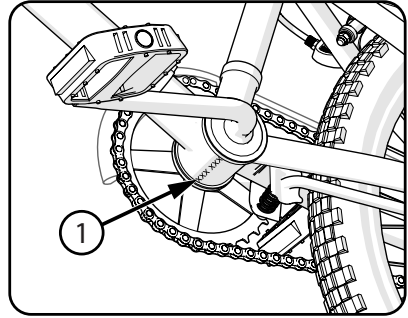
Warranty

- Limited Warranty.....30

Owner's Bicycle Identification Record

NOTE: This information is only available on the bicycle itself. It is not available from Huffy.

Each Huffy bicycle has a Recovery Code stamped into the frame. The Recovery Code ① can be found on the bottom of the crank housing as shown.



Write this number below to keep it for future reference.

If the bicycle is stolen, give this number and a description of the bicycle to the police. This will help them find the bicycle.

Recovery Code:

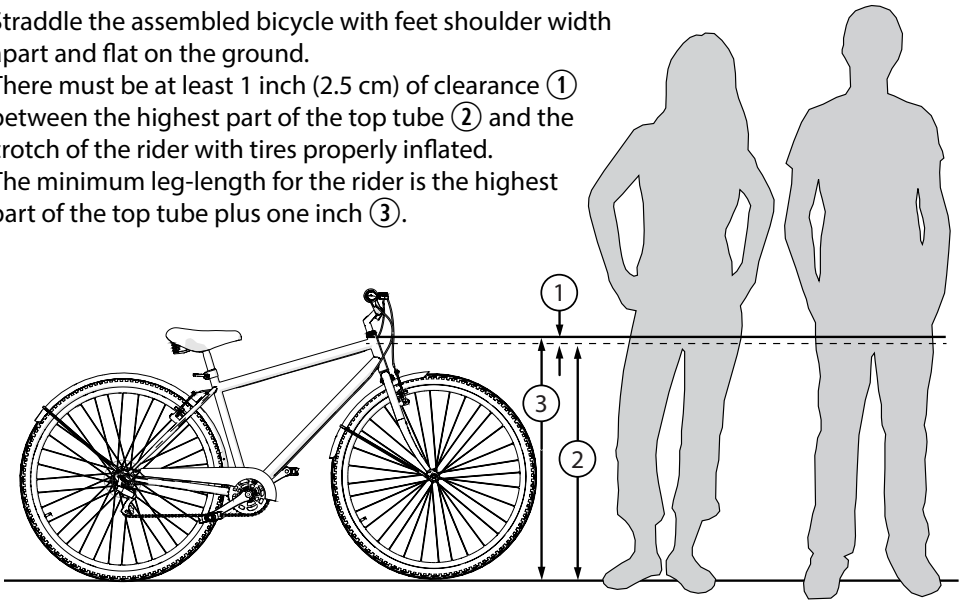
Purchase Date:

Model Name:

Fitting the Rider to the Bicycle

To determine the correct size of bicycle for the rider:

- Straddle the assembled bicycle with feet shoulder width apart and flat on the ground.
- There must be at least 1 inch (2.5 cm) of clearance ① between the highest part of the top tube ② and the crotch of the rider with tires properly inflated.
- The minimum leg-length for the rider is the highest part of the top tube plus one inch ③.



Warning and Safety Information

Meanings of Warnings:



This symbol is important. See the word “**CAUTION**” or “**WARNING**” which follows it.

The word “**CAUTION**” is before mechanical instructions. If you do not obey these instructions, mechanical damage or failure of a part of the bicycle can occur.

The word “**WARNING**” is before personal safety instructions. If you do not obey these instructions, injury to the rider or to others can occur.

- CHOKING HAZARD. Small Parts. Not for children under 3 years.
- Adult assembly is required.
- Continuous adult supervision is required.
- Do not add a motor to the product.
- Do not tow or push the product.
- Do not modify the product.
- Replace worn or broken parts immediately with original equipment.
- If anything does not operate properly, discontinue use.



WARNING - FREEWHEEL (RIM) BRAKES:

- Some models do NOT have a foot (pedal) brake.
- Ensure your child understands and can operate the hand brakes.
- Always use both hand brakes when stopping the bike.
- When stopping, apply front and rear brakes evenly.
- An unstable condition can occur if the front brake is used too hard resulting in injury to the rider or others.

The Owner's Responsibility



WARNING: This bicycle is made to be ridden by one rider at a time for general transportation and recreational use. It is not made to withstand the abuse of stunting and jumping.

If the bicycle was purchased unassembled, it is the owner's responsibility to follow all assembly and adjustment instructions exactly as written in this manual, and any “Special Instructions” supplied and to make sure all fasteners and components are securely tightened.


NOTE: Periodically check that all fasteners and components are securely tightened.

If the bicycle was purchased assembled, it is the owner's responsibility, before riding the bicycle for the first time, to make sure the bicycle has been assembled and adjusted exactly as written in this manual, and any “Special Instructions” supplied and to make sure all fasteners and components are securely tightened.

NOTE: If product is assembled, please proceed to the following sections:

- Testing Seat Clamp and Post Clamp Tightness
- Testing Stem and Handlebar Tightness

Rules of the Road

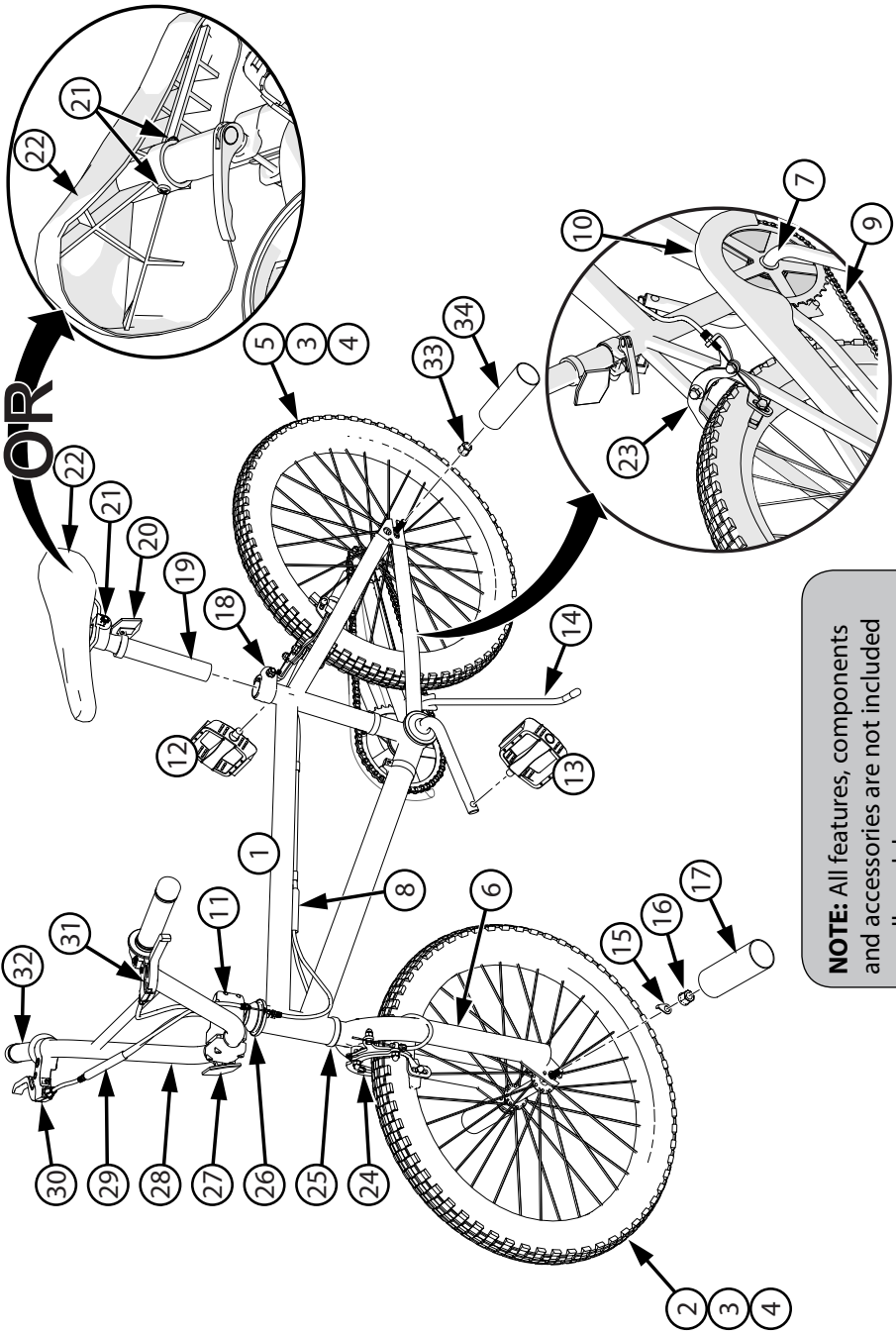
 **WARNING:** Failure of the rider to obey the following “Rules of the Road” can result in injury to the rider or to others.

- Obey all traffic regulations, signs, and signals.
- Always wear a bicycle helmet that meets safety standards, as well as local safety standards.
- Ride on the correct side of the road, in a single file, and in a straight line.
- If possible, avoid riding at night, dusk, dawn and any other time of poor visibility.
- **If you must ride at night or at time of poor visibility:**
 - Purchase, install, and use a headlight and taillight.
 - Headlights are required by all states for nighttime riding and taillights are required in some states.
 - Battery-powered lights or flashing safety lights are also recommended.
- **Reflectors:** For your own safety, do not ride the bicycle if the reflectors are incorrectly installed, damaged, or missing. Make sure the front and rear reflectors are vertical. Do not allow the visibility of the reflectors to be blocked by clothing or other articles. Dirty reflectors do not work well. Clean the reflectors, as necessary, with soap and a damp cloth.
 - Make yourself more visible to motorists.
 - Wear light-colored or reflective clothing, such as a reflective vest and reflective bands for your arms and legs.
 - Use reflective tape on your helmet.
 - Do not let anything cover the reflectors.
- **Use extra caution in wet weather:**
 - Ride slowly on damp surfaces because the tires will slide more easily.
 - Allow increased braking distance in wet weather.
- **Avoid these hazards to prevent loss of control or damage to your wheels:**
 - Be aware of drain grates, soft road edges, gravel or sand, pot holes or ruts, wet leaves, or uneven paving.
 - Cross railroad tracks at a right angle to prevent the loss of control.
 - Avoid unsafe actions while riding.
 - Do not carry any passengers.
 - Do not carry any items or attach anything to your bicycle that could hinder your vision, hearing, or control.
 - Do not ride with both hands off the handlebar.
 - Do not add a motor to the product.
 - Do not tow or push the product.
 - Do not modify the product.
 - Replace worn or broken parts immediately with original equipment.
 - If anything does not operate properly, discontinue use.

Bikes under 20” not intended for use on roads.

Part Assembly View

Components



NOTE: All features, components and accessories are not included on all models.

No.	Description	No.	Description
1	Frame	19	Seat Post
2	Front Wheel Assembly	20	Rear Reflector
3	Tire (x2)	21	Seat Post Hardware
4	Tube (x2)	22	Seat
5	Rear Wheel Assembly	23	Rear Brake
6	Fork	24	Front Brake
7	Crank and Spindle Set	25	Head Set Bearings
8	Lower Brake Cable Coupler (various models)	26	Gyro Head Set
9	Chain	27	Front Reflector
10	Chain Guard	28	Handlebars
11	Handlebar Stem	29	Upper Brake Cable Coupler (various models)
12	Right Pedal	30	Right Brake Lever
13	Left Pedal	31	Left Brake Lever
14	Kick Stand	32	Grips (x2)
15	Wheel Retainer (x2)	33	Rear Axle Nut (x2)
16	Front Axle Nut (x2)	34	Rear Pegs (various models)
17	Front Pegs (various models)	35	Bell (not shown - if equipped)
18	Seat Post Clamp		

Introduction to Assembly

This Owner's Manual is made for several different bicycles:

- Some illustrations may vary slightly from the actual product.
- Follow instructions completely.
- If the bicycle has any parts that are not described in this manual, look for separate "Special Instructions" that are supplied with the bicycle.
- Models may have different accessory items such as bags, baskets, reflectors, cup holders, racks, etc.
- All features, components and accessories are not included on all models.
- Use the Index page to locate specific sections of this manual.
- Please read through this entire manual before beginning assembly or maintenance.
- If you are not confident with assembling this unit, refer to a local bike shop.

WARNING: Keep small parts away from children during assembly.

NOTE: All of the directions (right, left, front, rear, etc.) in this manual are as seen by the rider while seated on the bicycle.

Do not dispose of the carton and packaging until you complete the assembly of the bicycle. This can prevent accidentally discarding parts of the bicycle.

Tools Needed (not included)

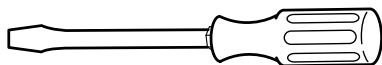


Small Adjustable Wrench

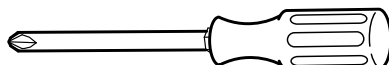
(Jaws must open at least 9/16 inch.)



Open-end Wrenches



Flat-blade Screwdriver



Phillips Screwdriver



Slip-Joint Pliers

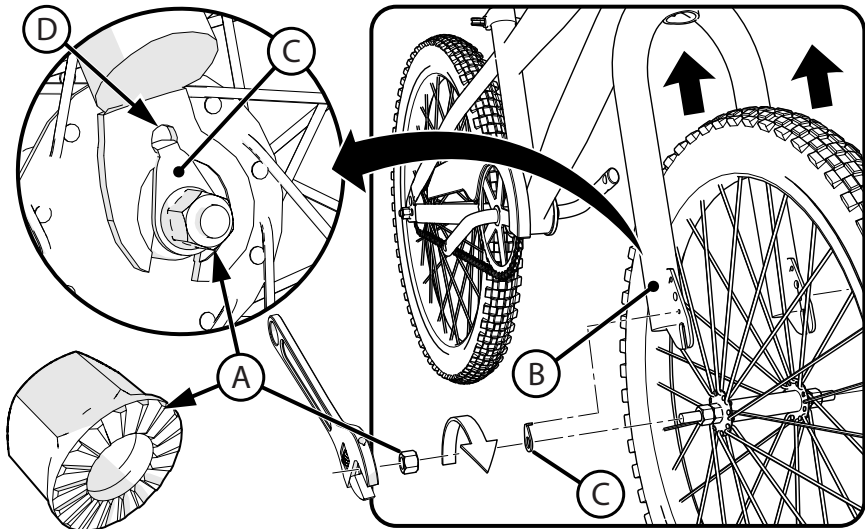


Metric Allen Wrenches

Installing the Front Wheel

NOTE: See Brake Section to loosen and Re-attach front Brakes (if equipped).

1. If the Axle Nuts (A) are already attached to the front wheel axle, begin by removing them with an open end wrench or adjustable wrench.
2. Set the wheel into the front fork (B).
3. Install wheel retainers (C) making sure the tabs are in the fork (D) tab holes.
4. Attach the front wheel with the Axle Nuts.
5. Put the wheel in the center of the fork and tighten Axle Nuts securely. **See torque table for recommended torque.**



NOTE: Ensure wheel spins freely without contacting fork or fender.

⚠ WARNING: Do not use Nuts (A) without serrations to attach the front wheel.

⚠ WARNING: Failure to obey these steps can allow the front wheel to loosen while riding. This can cause injury to the rider or to others.

Handlebar and Stem Installation - No Gyro Brake

NOTE: Check which Stem style your bike has and use one of the following installation guides.

⚠ WARNING: To prevent steering system damage and possible loss of control, the "MIN-IN" (minimum insertion) mark (A) on the stem must be below the top of the Locknut (B).

QUILL TYPE STEM:

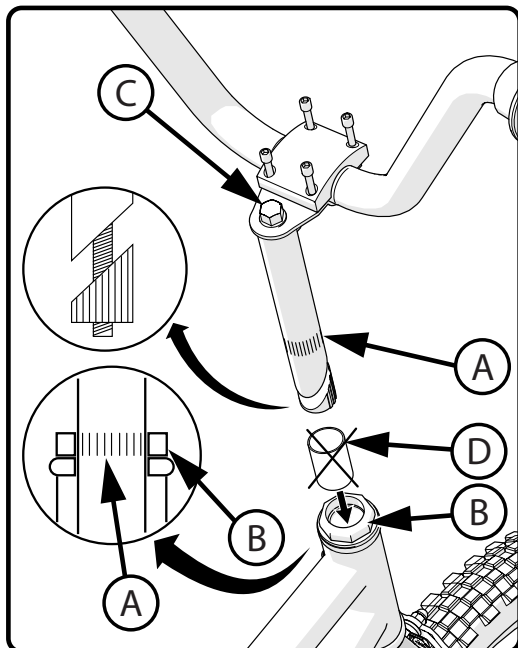
NOTE: Remove plastic Cap (D) from the end of the Stem.

1. Insert the Stem into the fork.
2. Point the Stem towards the front of the bike.
3. With the Stem aligned with the front tire, tighten the Stem Bolt (C) securely. **See Torque Chart for recommended torque.**
4. Proceed to **Handlebar Installation** on next page

THREADLESS TYPE STEMS:

NOTE: Threadless stems are pre-installed.

- Proceed to **Handlebar Installation** on next page.



⚠ WARNINGS:

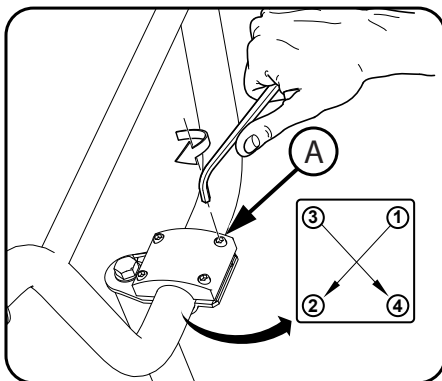
- Do not over tighten the stem bolt (C). Over tightening the stem bolt can damage the steering system and cause loss of control.

Handlebar Installation - continued

Four Bolt Clamp Top Mount:

1. Adjust the Handlebar into a comfortable riding position.
2. Tighten Clamp Screws (A) evenly according to pattern.

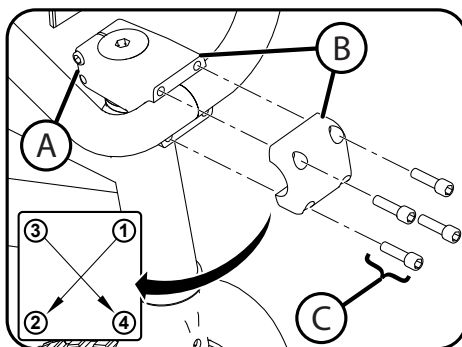
NOTE: Do not over tighten. See Torque Chart for recommended torque.



Four Bolt Clamp, Front Mount:

1. Adjust the Handlebar into a comfortable riding position.
2. Tighten Clamp Screws (A).
3. Check tightness of side Stem Bolts (B).

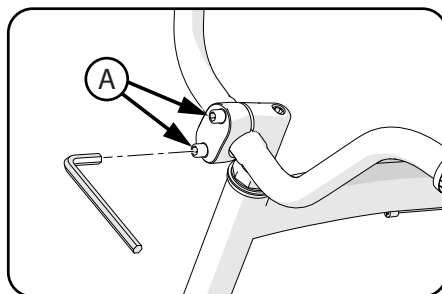
NOTE: Do not over tighten. See Torque Chart for recommended torque.



Two Bolt Stem:

1. Adjust the Handlebar into a comfortable riding position.
2. Tighten Clamp Screws (A).

NOTE: Do not over tighten. See Torque Chart for recommended torque.

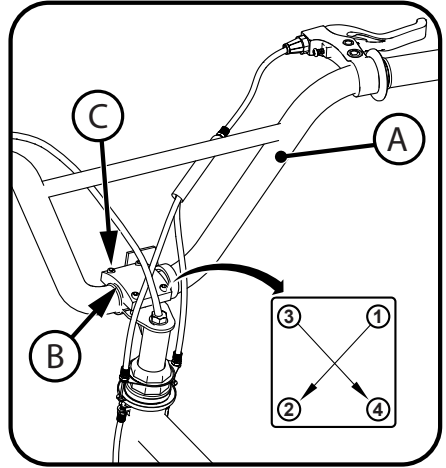


! WARNING: If the Handlebar Clamp is not tight enough, the handlebar can slip in the stem. This can cause damage to the handlebar or stem, and can cause loss of control.

Stem and Handlebar Setup - Gyro Brake

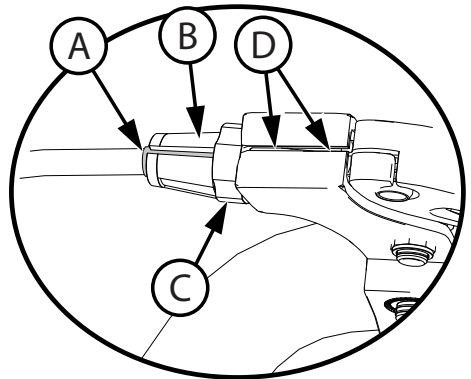
Note: The Handlebar Stem Clamp may be pre-installed from the factory.

- Carefully unpack Handlebar (A) and Brake Cables.
- Install the Handlebar using Clamp (B) and Clamp Screws (C).
- Rotate Handlebar into a comfortable riding position.
- Tighten Clamp Screws (C) securely. See Torque Chart for recommended torque.



Gyro Stem and Brake Setup

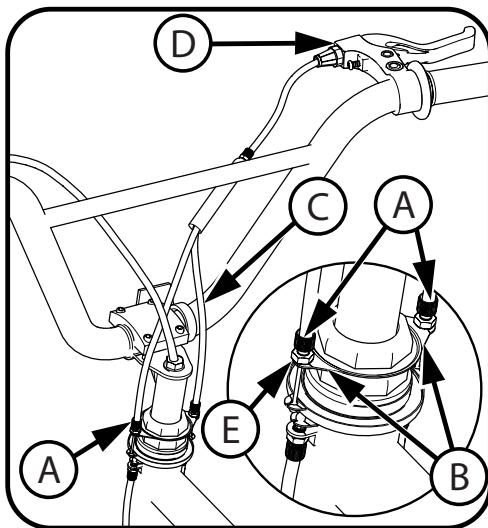
- Make sure Rear Brake Cable Sheath (A) is fully inserted into the adjustment Housing at the Caliper and Hand Lever (B).
- Ensure Housing Nut and Housing (B, C) are adjusted all the way in towards the Hand Lever.
- Rotate Housing (B) Groove away from Cable Groove (D) and tighten Housing Nut (C).



continued >>

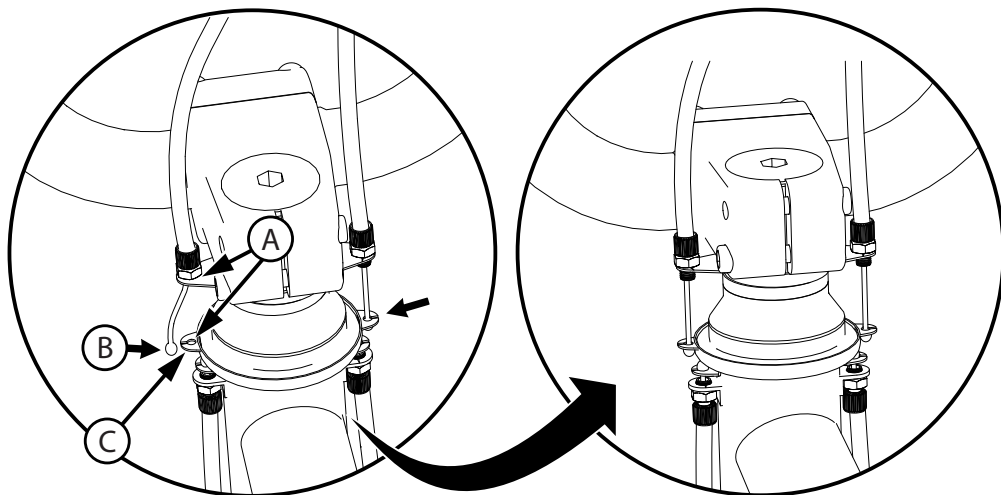
Gyro Stem and Brake Setup - continued

- Install the two Cable Adjusters (A) into the Gyro Plate (B) making sure the Shorter Cable (C) is on the same side as the Brake Lever (D).
- Turn the Cable Adjusters and Nuts (E) all the way into the Gyro Plate - hand tight.



Assembly

- Squeeze the two sides of the Gyro Plates (A) together and insert the Cable End (B) into the Gyro Plate Slot (C).
- Repeat for other side.

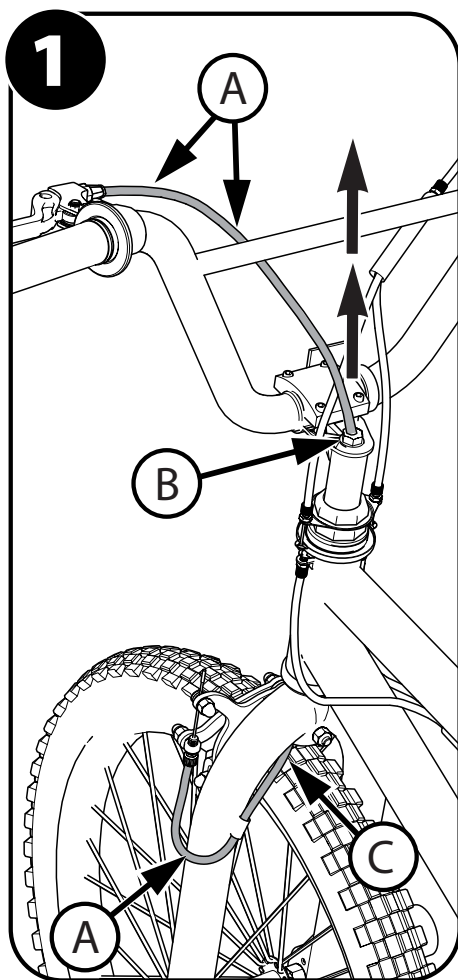


⚠ WARNING: Ensure Gyro Handlebar/Stem/Wheel system can rotate 360 degrees without binding any Cables and that the Gyro mechanism works smoothly.

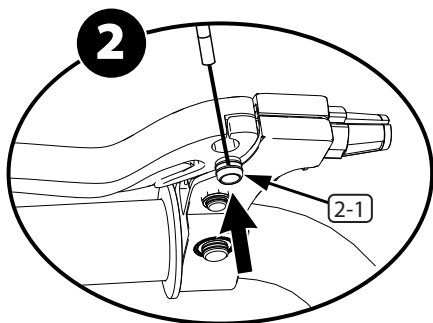
continued >>

Gyro Brake Setup - Front Brake Cable Install

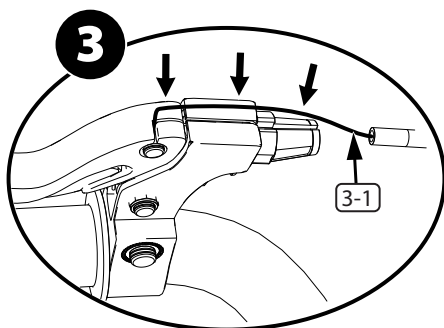
- Pull the Front Brake Cable (A) up through the Stem Nut (B) so that it is routed as shown.
- Ensure the Brake Cable does not touch the Tire (C).



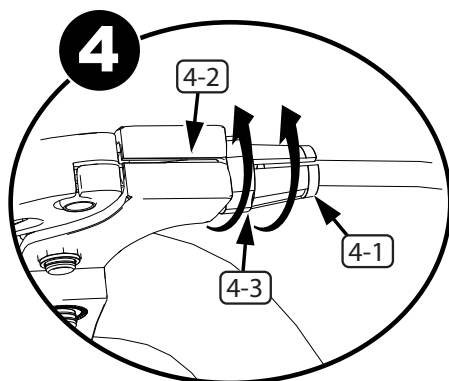
- Insert Cable Barrel (2-1) into Brake Lever.



- Insert Brake Cable (3-1) into Groove as shown.

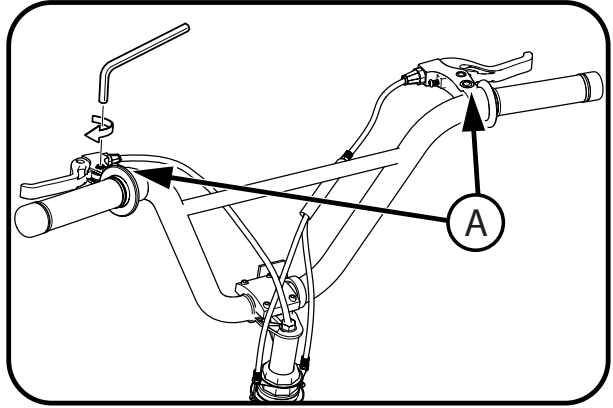


- Ensure Housing Nut and Housing (4-3, 4-1) are adjusted all the way in towards the Hand Lever.
- Rotate Housing (4-1) Groove away from Cable Groove (4-2) and tighten Housing Nut (4-3).



Gyro Brake Setup - Front Brake Cable Install - continued

- Rotate Brake Levers (A) into a comfortable riding position and tighten securely.



! **WARNING:** Ensure Gyro Handlebar/Stem/Wheel system can rotate 360 degrees without binding any Cables and that the Gyro mechanism works smoothly.


Testing Stem and Handlebar Tightness

To test the tightness of the stem:

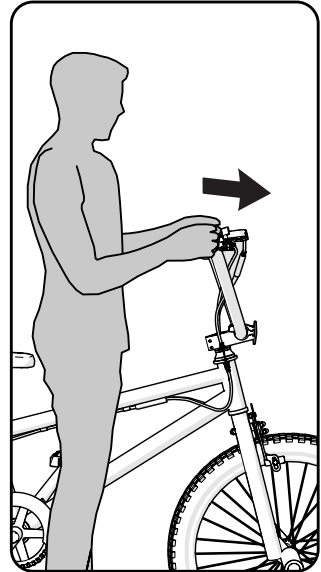
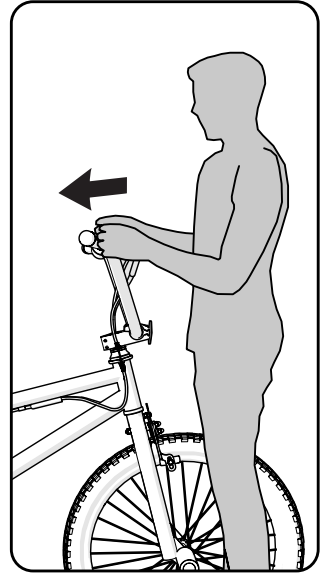
- Straddle the front wheel between your legs.
- Try to turn the front wheel by turning the handlebar.
- If the handlebar and stem turn without turning the front wheel, realign the stem with the wheel and tighten the stem bolt(s) tighter than before (about 1/2 revolution only at a time).
- Do this test again, until the handlebar and stem do not turn without turning the front wheel.

To test the tightness of the handlebar clamp:

- Hold the bicycle stationary and try to move the ends of the handlebar forward and backward.

 **CAUTION:** Do not exceed 100 lbs (45 kg) push force.

- If the handlebar moves, loosen the bolt(s) of the handlebar clamp.
- Put the handlebar in the correct position and tighten the bolt(s) of the handlebar clamp tighter than before.
- If the handlebar clamp has more than one bolt, tighten the bolts equally.
- Do this test again, until the handlebar does not move in the handlebar clamp.

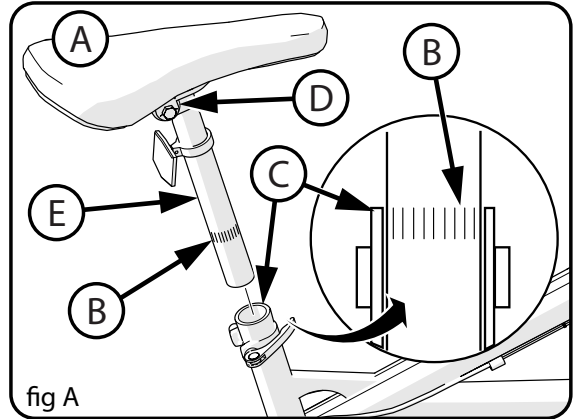


Seat Installation

WARNING: To prevent the Seat (A) coming loose and possible loss of control, the "MIN-IN" (minimum insertion) mark (B) on the Seat Post must be below the top of the Seat Tube (C).

SEAT AND SEAT POST SETUP:

1. If needed, loosen Nuts on Seat Clamp (D) and rotate Seat into riding position.
2. Ensure the Seat Post (E) is fully through the TOP Seat Clamp (D).
3. Tighten the Seat Clamp so the Seat does not move on the seat post.
4. If the Seat Clamp has a Nut on each side, tighten both nuts equally.
5. Point the Seat forward and put the Seat Post (E) into the Seat Tube (C) and proceed to next step.



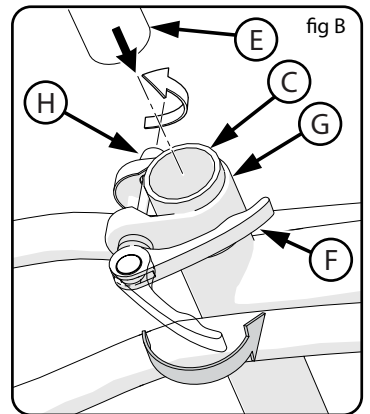
TIGHTEN THE QUICK RELEASE LEVER:

NOTE: The words "open" and "close" are on opposite sides of the quick release lever.

CAUTION: Operate the Quick Release Lever (F) by hand only. Do not use a hammer or any other tool to tighten the quick release lever.

1. Move the Quick Release Lever (F) to the "open" position so the word "open" is pointing away from the Seat Post Clamp (G).

WARNING: You must use strong force to move the quick release lever to the "close" position. If you can easily move the lever to the "close" position, the clamping force is too light. If the clamping force of the Quick Release Lever is too light, the seat post can loosen while riding. This can cause injury to the rider or to others.



2. Open and close the Quick Release Lever with one hand while you turn the Adjusting Nut (H) with the other hand.
3. Tighten or loosen the adjusting nut by hand, so that you first feel resistance to the quick release lever when it perpendicular to the bicycle frame.
4. Push the Quick Release Lever to the "close" position.
5. When in the "close" position, make sure the Quick Release Lever lays against the Seat

Seat Installation - continued

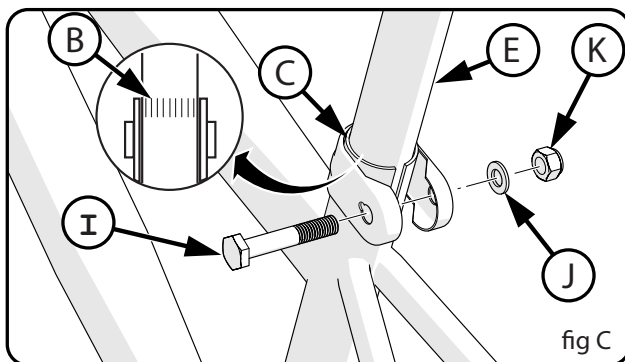
Post Clamp (G).

- The tightening torque of the Quick Release Lever should be tight enough so that the seat does not move during normal operation.

Seat Bolt Mount (various models)

Some models have a Bolt (I), Washer (J) and Nut (K) instead of a Quick Release Lever.

- If needed, loosen the nut enough to insert the Seat Post (E).
- Point the seat forward and insert Seat Post to the Minimum Insertion marks (B).
- Tighten Nut securely so it supports the rider without moving.



Testing Seat Clamp and Post Clamp Tightness

To test the tightness of the seat clamp and the post clamp:

- Try to turn the seat side-to-side and to move the front of the seat up and down.
- If the seat moves in the Seat Clamp:**
 - Loosen the Seat Clamp Nut.
 - Put the seat in the correct position and tighten the Seat Clamp tighter than before.
 - Do this test again, until the seat does not move in the Seat Clamp.
- If the Seat Post moves in the Seat Tube Clamp:**
 - Loosen the Seat Clamp Lever.
 - Put the Seat Post in the correct position and tighten the Seat Clamp Nut tighter than before.
- If necessary, tighten or loosen Hand Nut so that Quick Release tightens securely.
- Do this test again, until the Seat Post does not move in the Seat Tube Clamp.

Pedal Installation

CAUTION: There is a RIGHT pedal marked **R** and a LEFT pedal marked **L**.

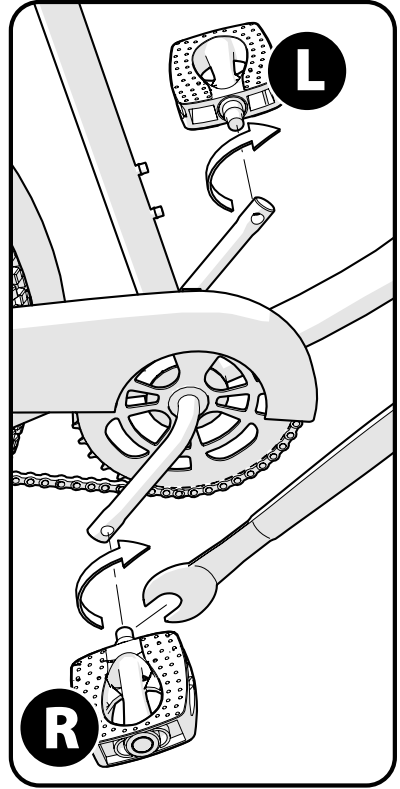
NOTE: A Pedal Wrench is preferred for attaching Pedals. A thin open-end wrench can also be used.

- The pedal marked **R** has right-hand threads. Tighten it in a **clockwise direction**.
- The pedal marked **L** has left-hand threads. Tighten it in a **counterclockwise direction (anti-clockwise)**.
- Turn the right pedal marked **R** into the right side of the crank arm, and the left pedal marked **L** into the left side of the crank arm.

Tighten the pedals:

- Make sure the threads of each pedal are fully into the crank arm.

WARNING: Ensure pedals are secure in crank arms so they will not loosen. Periodically check tightness.

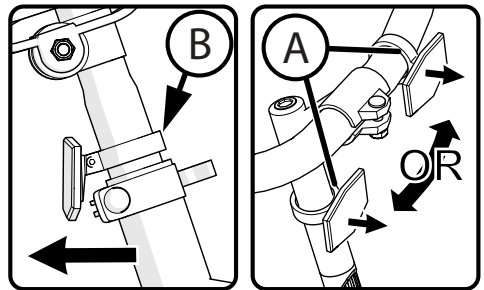


Reflector Installation (as equipped)

Reflector Installation:

1. Position FRONT Reflector **A** so it points straight forward.
2. Tighten Clamp Screw.
3. Position Seat Post Reflector (if equipped) **B** so it points straight backwards.
4. Tighten Clamp Screw.

NOTE: Do not over-tighten. This will damage the Clamp.



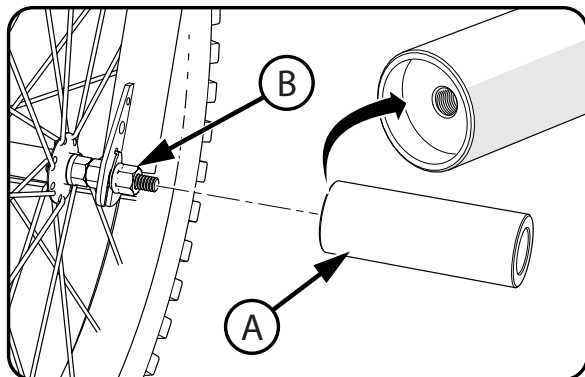
Pegs Installation - Threaded (if equipped)

NOTES

- Front and rear pegs may be different sizes.
- The pegs are optional. You may choose not to install them on the axles. Pegs can be installed on the front, rear or on one side.
- The same procedure is used to install pegs on both the front and rear axles. Front wheel axle is shown.

Threaded pegs:

- No additional tools are necessary to install the pegs.
- Put a peg **(A)** on each end of the axle.
- Make sure the peg is fully seated against the frame or fork. Tighten the peg securely.
- Pegs will go over the axle nuts **(B)**.



⚠ WARNINGS:

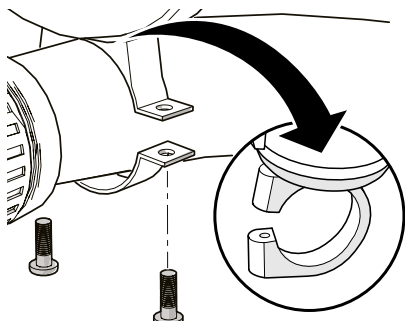
- Do not ride beyond your capabilities.
- Pegs should be installed by an adult.
- Check before each ride.
- Ensure there is no damage to frame, fork or wheels during install and use.
- Ensure chain is properly adjusted after install.
- Ensure wheels are properly aligned after install.
- If damaged, stop use and replace.
- Failure to obey these steps can allow the front wheel to loosen while riding. This can cause injury to the rider or others.

Handlebar Bell (various models)

Installation:

1. Remove screws from Bell.
2. Position Bell on handlebar within easy reach, with hands on the handlebar grips.
3. Install screws and tighten.

NOTE: Bell may attach with 1 or 2 screws.





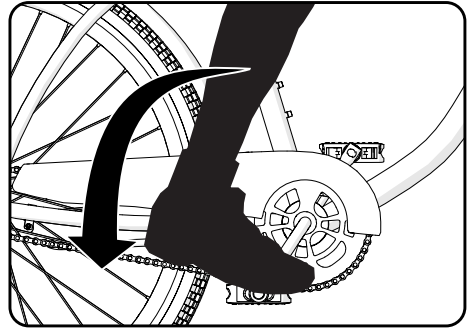
WARNING:

- Inspect the product frequently. Failure to inspect the product and to make repairs or adjustments, as necessary, can result in injury to the rider or to others. Make sure all parts are correctly assembled and adjusted as written in this manual and any “Special Instructions”.
- Immediately replace any damaged, missing, or badly worn parts with original equipment.
- Make sure all fasteners are correctly tightened as written in this manual and any “Special Instructions”. Parts that are not tight enough can be lost or operate poorly. Over tightened parts can be damaged. Make sure any replacement fasteners are the correct size and type.

NOTE: Have a bicycle service shop make any repairs or adjustments for which you do not have the correct tools or if the instructions in this manual or any “Special Instructions” are not sufficient for you.

Coaster Brakes (various models)

These models are equipped with a rear 'coaster' brake that is operated by rotating the crank backwards.



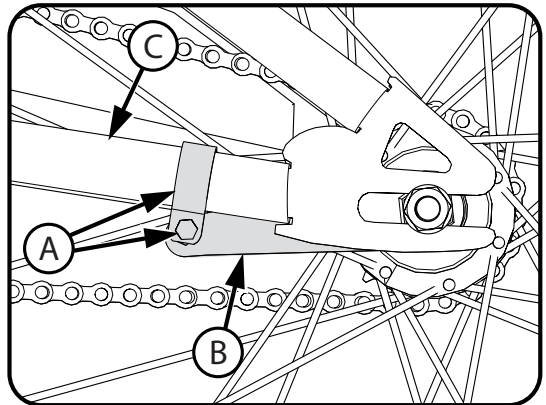
Operate the coaster brake as follows:

- Push the pedals backward to move the chain backward
- The chain activates the coaster brake mechanism that is inside the rear wheel hub
- As you push the pedals backward with increasing force, the braking action of the coaster brake increases.

If your bicycle has a caliper brake(s) in addition to the coaster brake, always use the coaster brake as the main brake to stop the bicycle.

WARNING: If you do not obey the following instructions, injury to the rider or to others can occur :

- When you ride the bicycle the first time, test the coaster brake and practice using it at a low speed in a large level area that is free of obstructions.
- Every time the bicycle is ridden, make sure the clamp **(A)** on the brake arm **(B)** is securely attached to the chain stay **(C)** of the bicycle frame. The coaster brake will not work correctly if the brake arm is not attached to the chain stay.

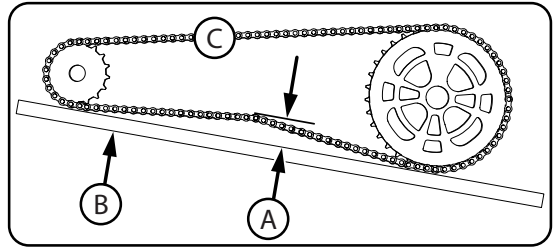


Chain Adjustment



WARNING:

- The chain must remain on the sprockets. If the chain comes off the sprockets, the coaster brake will not operate.
- Do not attempt chain repairs. If there is a problem with the chain, have a bicycle service shop make any repairs.



Adjustment:

The chain must be at the correct tightness. If too tight, the bicycle will be difficult to pedal. If too loose, the chain can come off the sprockets.

When the chain (C) is at the correct tightness, you can rotate the crank freely and you can pull it no more than one-half inch (A) away from a straightedge (B) as shown.

Adjust the tightness of the chain as follows:

- Loosen the axle nuts of the rear wheel.
- Move the rear wheel forward or backward as necessary.

NOTE: Make sure the rear wheel is in the center of the bicycle frame.

- Hold the wheel in this position and tighten securely.

Inspection of the Bearings

Maintenance

Frequently check the bearings of the bicycle. Lubricate the bearings according to the lubrication chart or any time they do not pass the following tests:

Head Tube Bearings

The fork should turn freely and smoothly at all times. With the front wheel off the ground, you should not be able to move the fork up, down, or side-to-side in the head tube.

Crank Bearings

The crank should turn freely and smoothly at all times and the front sprockets should not be loose on the crank. You should not be able to move the pedal end of the crank from side-to-side.

Wheel Bearings

Lift each end of the bicycle off the ground and slowly spin the raised wheel by hand.

The bearings are correctly adjusted if:

- The wheel spins freely and easily.
- The weight of the spoke reflector, when you put it toward the front or rear of the bicycle, causes the wheel to spin back and forth several times.
- There is no side-to-side movement at the wheel rim when you push it to the side with light force.

Gyro Bearings

With the front wheel off the ground the Gyro Handlebar/Stem/Wheel system should rotate freely and smoothly 360 degrees without binding or hitting any cables.

Caliper Rim Brake System Setup (various models)



WARNING: You must adjust the front brakes before you ride the bicycle.

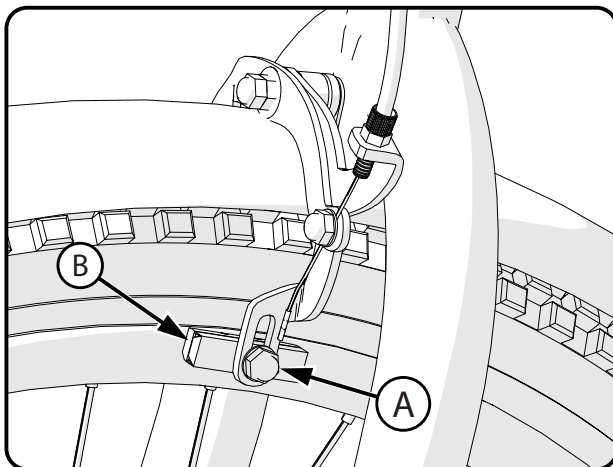
NOTE: FRONT AND REAR BRAKE SETUP IS THE SAME.

Step One: Put the brake shoes (B) in the correct position:

- Loosen the Screw (A) of each Brake Shoe (B).
- Adjust each Brake Shoe so it is flat against the rim and aligned with the curve of the rim.
- Make sure each Brake Shoe does not rub the tire.
- If the surface of the Brake Shoe has arrows, make sure the arrows point toward the rear of the bicycle.
- Hold each Brake Shoe in position and tighten the Screw.

Step Two: Test the tightness of each Brake Shoe:

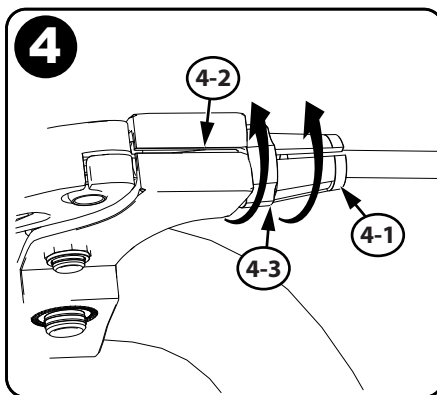
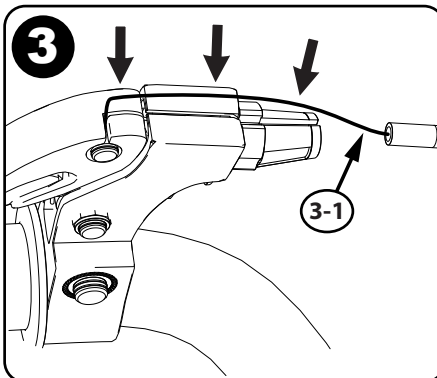
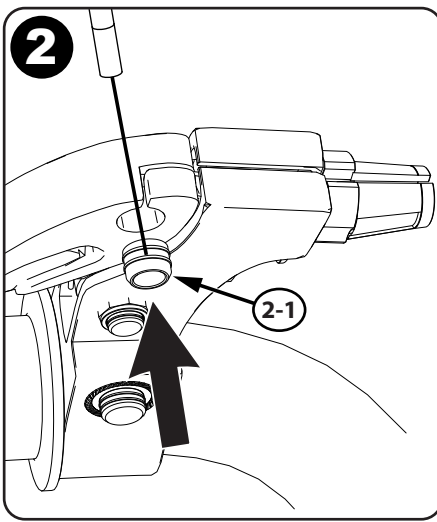
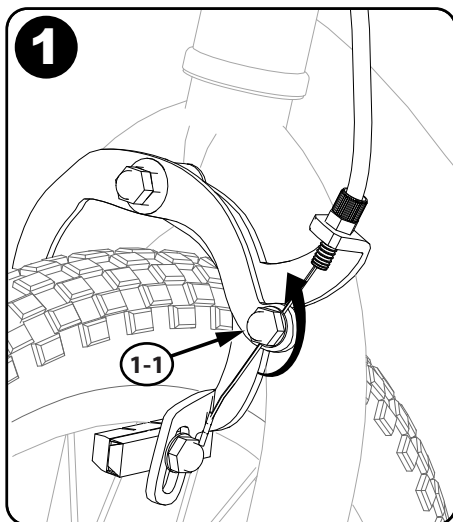
- Try to move each Brake Shoe out of position.
- If a Brake Shoe moves, do Step 1 again, but tighten the nut tighter than before.
- Do this test again, until each Brake Shoe does not move.



For Brake Pad replacement, see Maintenance section.

continued >>

Caliper Rim Brake System Setup - continued



Step 1:

- Loosen Cable Nut (1-1) so that the cable is loose.

Step 2:

- Insert Cable Barrel (2-1) into Brake Lever.

Step 3:

- Insert Brake Cable (3-1) into Groove as shown.

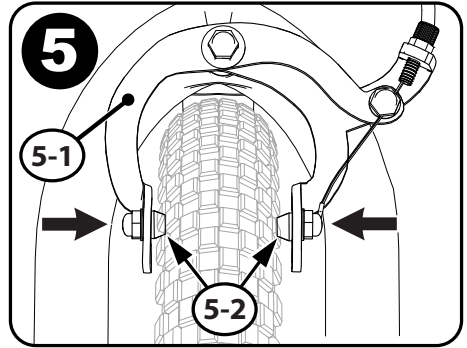
Step 4:

- Rotate Housing (4-1) Groove away from Cable Groove (4-2) and tighten Housing Nut (4-3).

Caliper Rim Brake System Setup - continued

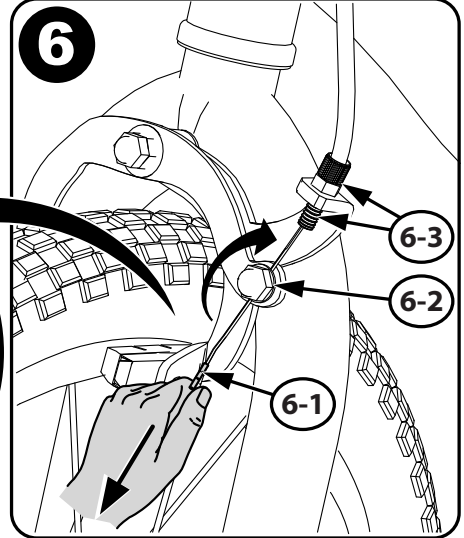
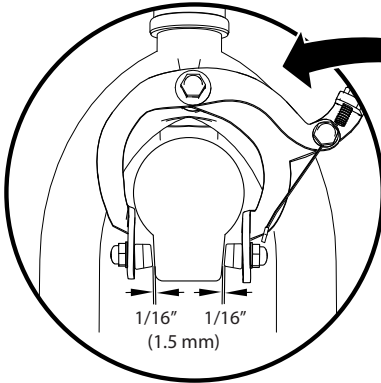
Step 5:

- Squeeze Brake Arms (5-1) so that Brake Pads (5-2) are against the Rim.



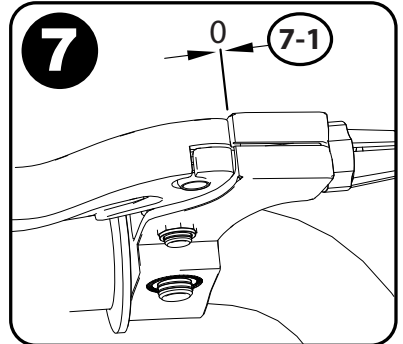
Step 6:

- Pull Brake Cable (6-1) tight.
- Tighten Cable Nut (6-2).
- Adjust Cable Nut (6-3) for 1/16in (1.5mm) Brake Pad clearance.



Step 7:

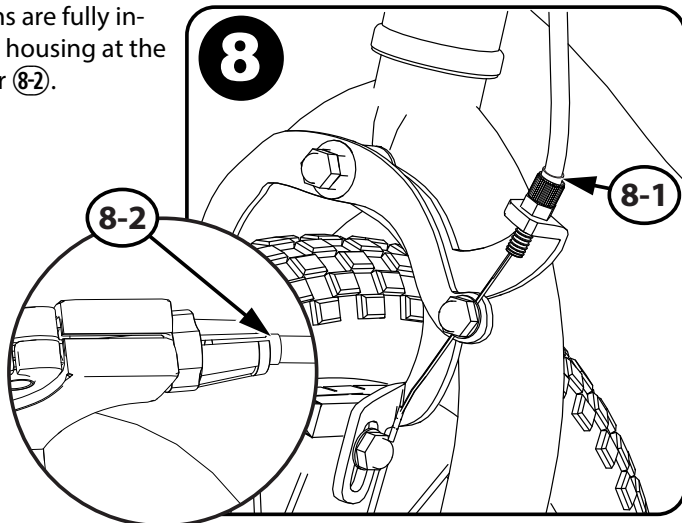
- Make sure the Brake Lever is not loose (7-1).



Caliper Rim Brake System Setup - continued

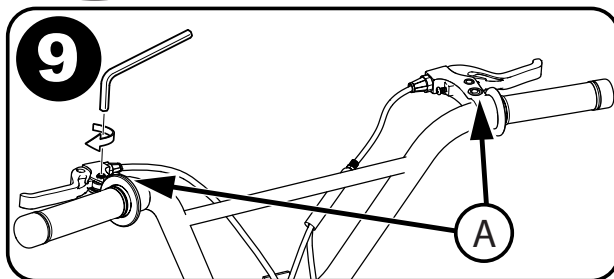
Step 8:

- Make sure the cable sheaths are fully inserted into the adjustment housing at the Caliper (8-1) and Hand Lever (8-2).



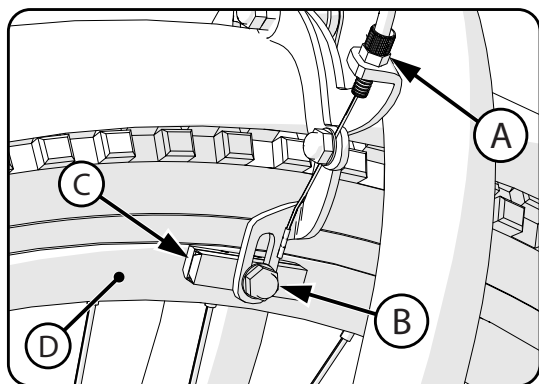
Step 9:


- Rotate Brake Levers (A) into a comfortable riding position and tighten securely.



Brake Pad Replacement

1. If necessary, loosen brake cable Adjustment Bolt (A).
2. Loosen and remove brake pad Bolt/Screws (B).
3. Remove old Brake Shoe (C).
4. Install new Brake Shoe, making sure it is pointing forward and lined up evenly with the Wheel Rim (D).
5. Tighten brake pad Bolt/Screw according to Torque Chart.



 **WARNING:** Replace Brake Pad with same model and type as original.

Tires

Maintenance:

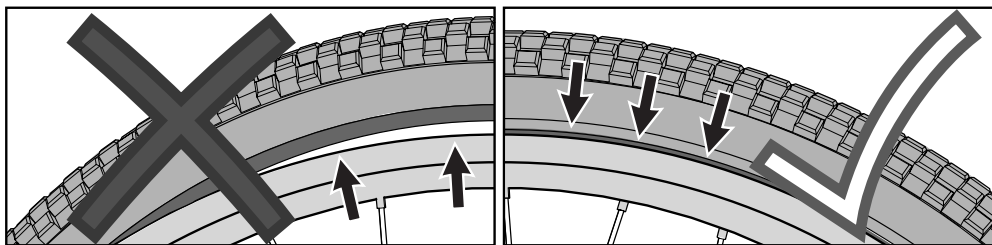
- Frequently check the tire inflation pressure because all tires lose air slowly over time. For extended storage, keep the weight off the tires.
- Do not use unregulated air hoses to inflate the tire/tubes. An unregulated hose can suddenly over inflate tires and cause them to burst.
- Replace worn tires.

⚠ WARNING: Do not ride or sit on the unit if a tire is under inflated. This can damage the tire, inner tube and rim.

Inflating the Tires:

- Use a hand or a foot pump to inflate the tires.
- Service station meter-regulated air hoses are also acceptable.
- The maximum inflation pressure is shown on the tire sidewall.
- If two inflation pressures are on the tire sidewall, use the higher pressure for on-road riding and the lower pressure for off-road riding.
- The lower pressure will provide better tire traction and a more comfortable ride.

Before adding air to any tire, make sure the edge of the tire (the bead) is the same distance from the rim, all around the rim, on both sides of the tire. If the tire does not appear to be seated correctly, release air from the inner tube until you can push the bead of the tire into the rim where necessary. Add air slowly and stop frequently to check the tire seating and the pressure, until you reach the correct inflation pressure.





WARNING:

- Do not over lubricate. If oil gets on the wheel rims or the brake shoes, it will reduce brake performance and a longer distance to stop the bicycle will be necessary. Injury to the rider or to others can occur.
- The chain can throw excess oil onto the wheel rim. Wipe excess oil off the chain.
- Keep all oil off the surfaces of the pedals where your feet rest.
- Using soap and hot water, wash all oil off the wheel rims, the brake shoes, the pedals, and the tires.
- Rinse with clean water and dry completely before you ride the bicycle.
- Using a light machine oil (20W), lubricate the bicycle according to the following table:

Lubrication Table

What	When	How
Brake Levers	every six months	Put one drop of oil on the pivot point of each brake lever.
Caliper Brakes	every six months	Put one drop of oil on the pivot point of each caliper brake.
Brake Cables	every six months	Put four drops of oil into both ends of each cable. Allow the oil to soak back along the cable wire.
Pedals	every six months	Put four drops of oil where the axles go into the pedals.
Chain	every six months	Put one drop of oil on each roller of the chain. Wipe all excess oil off the chain.
Gyro Head	every six months	Put 4 drops of oil around the Gyro Head Bearings.

Limited Warranty

General:

- Part or model specifications are subject to change without notice.
- This Limited Warranty is the only warranty for the product. There are no other express warranties.
- The only uses for this product are described in this manual.
- Warranty registration is not required.
- The Limited Warranty extends only to the original consumer and is not transferable to anyone else.

What does this Limited Warranty cover?

This Limited Warranty covers all parts of the product except those indicated below as not warranted.

What must you do to keep the Limited Warranty in effect?

This Limited Warranty is effective only if:

- Product is completely and correctly assembled.
- Product is used under normal conditions for its intended purpose (see the following section for excluded activities).
- Product receives all necessary maintenance and adjustments.
- Product is used for general transportation and recreational use only.

What is not covered by this Limited Warranty?

This product is designed for recreational use only. This Limited Warranty does not cover normal wear and tear, normal maintenance items, or any damage, failure, or loss that is caused by improper assembly, maintenance, adjustment, storage, or use of the product.

This Limited Warranty will be void if the product is ever:

- Used in any competitive sport
- Used for stunt riding, jumping, aerobatics or similar activity
- Modified in any way
- Modified with the addition of a motor
- Ridden by more than one person at a time
- Rented, sold, or given away

- Used in a manner contrary to the instructions and warnings in this Owner's Manual

Huffy will not be liable for incidental or consequential loss or damage due directly or indirectly from use of this product. Some States do not allow the exclusion or limitation of incidental or consequential damages, so the above limitation may not apply to you.

What will Huffy do?

Huffy will replace, without charge to you, any part, or component found to be defective by Huffy.

How do you get service?

Contact the Customer Service Department.

- See included list for Customer Contact information or visit www.huffybikes.com/contact.

What rights do you have?

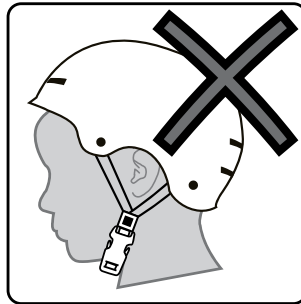
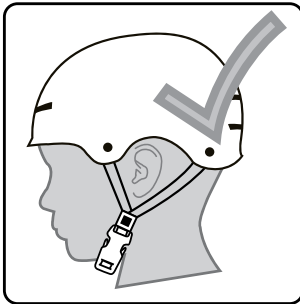
This warranty gives you specific legal rights. You may also have other rights which vary from State to State.

For how long does this Limited Warranty last?

- Steel Frame and Fork: Lifetime
- Aluminum Frame: 10 years
- Shock Fork/Aluminum Fork: 1 year
- Electronics: 90 days
- All other components: 6 months

All warranties are from date of original purchase.

WARNING: **ALWAYS WEAR YOUR HELMET** **WHEN RIDING THIS PRODUCT!**



- Helmet should sit level on your head and low on your forehead
- Adjust the strap sliders below the ear on both sides.
- Buckle the chin strap. Adjust strap until it is snug.
- No more than two fingers should fit between the strap and your chin.
- A proper fitting helmet should be comfortable and not rock forward/backward or side to side.
- Always read the user manual that comes with your helmet to make sure it is fitted and attached properly to the wearer's head according to the fitting instructions described in the user manual.

Check
www.Huffybikes.com/contact
for the current contact information



[In the US]
**PLEASE - BEFORE RETURNING TO STORE,
CONTACT HUFFY CUSTOMER SERVICE. WE
ARE GLAD TO ASSIST YOU WITH ANY PARTS
OR ASSEMBLY PROBLEMS YOU MIGHT
HAVE!**

For Fast Customer Service, go to:

<http://www.huffybikes.com/contact>

To Order Parts (US only), go to:

<http://www.huffybikes.com/parts>

OR TEL: 1 800 872 2453 (US only)

For email, go to **<http://www.huffybikes.com/contact>**

[CANADA]

**VEUILLEZ NOTER : AVANT DE
RETOURNER AU MAGASIN,
COMMUNIQUEZ AVEC LE SERVICE
À LA CLIENTÈLE DE HUFFY. NOUS
VOUS AIDERONS VOLONTIERS AVEC
TOUT PROBLÈME CONCERNANT LES
PIÈCES OU LE MONTAGE!**

Pour un Service à la clientèle rapide, allez sur le
site :

<http://www.huffybikes.com/contact>

To Order Parts (CANADA only), go to:

<http://www.huffybikes.com/parts>

**OU appelez le 1 800 872 2453
(CANADA only)**

Pour communiquer par courriel
huffycanada@huffy.com

[MÉXICO]

**ANTES DE DEVOLVER EL
PRODUCTO A LA TIENDA,
COMUNÍQUESE CON SERVICIO
AL CLIENTE DE HUFFY. NOS
COMPLACE AYUDARLO CON
CUALQUIER PARTE O PROBLEMA
DE ENSAMBLADO QUE PUDIERA
TENER.**

Para obtener Servicio al cliente rápido, visite:

<http://www.huffybikes.com/>

**○ LLAME AL TEL: 01800 1483 391
(Mexico only)**

Para comunicarse por correo electrónico:
servicio@huffymex.com

Check **<http://www.huffybikes.com/home/globalcontact>**
for the current contact information

<http://www.huffybikes.com/home/globalcontact>
para obtener la información de contacto actual

Vérifier **<http://www.huffybikes.com/home/globalcontact>**
pour les informations de contact actuelles